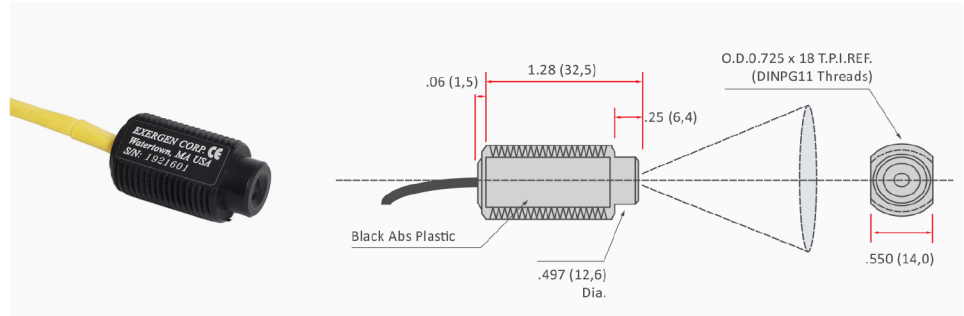


IRt/c.03 Base Model

Product Overview

The IRt/c.03 features:

- Infrared Thermocouple IRt/c
- Non-contact
- Self Powered
- Intrinsically Safe
- Repeatability 0.02°F (0.01°C)
- Interchangeability ±1%
- Resolution approx. 0.0001°C
- Small size

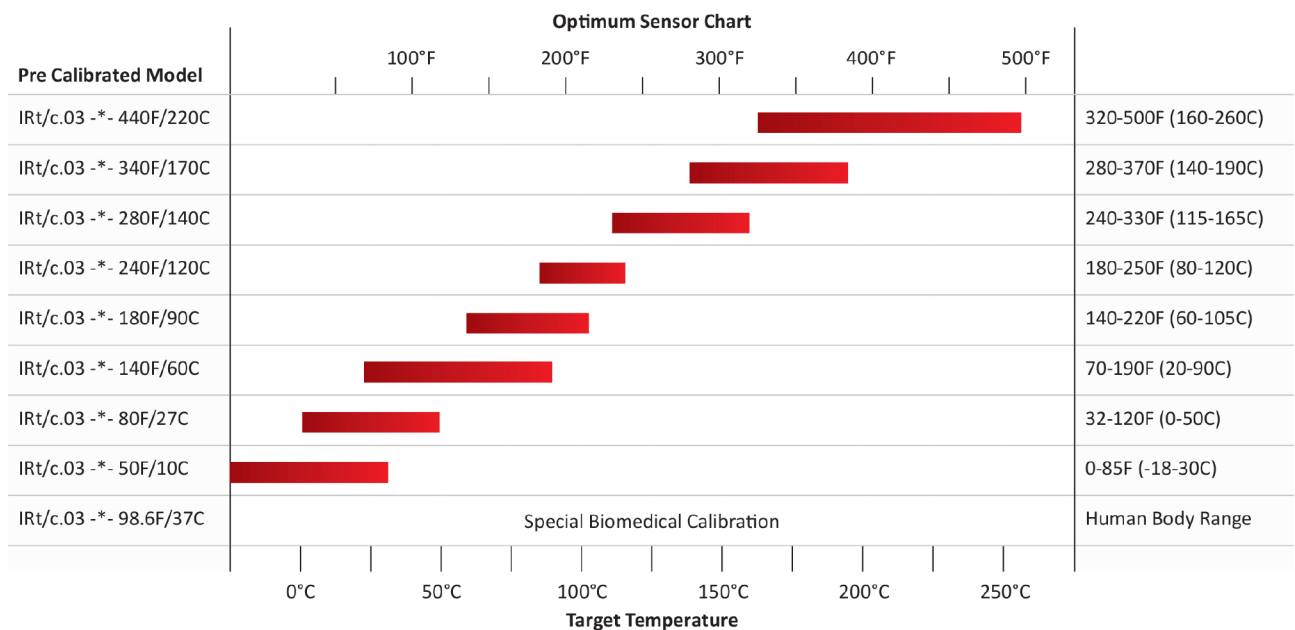


Technical Data

Sensing Range	-50 to 550°F (-45 to 290°C)	Output Impedance	4 to 8 Kohms approx.
Ambient Temperature Range	0 to 160°F (-18 to 70°C)	Cable	Thermocouple extension grade, PVC jacket, unshielded
Optimum Range Selections	Eight models per t/c type (see Temperature Selection Guide)	Dimensions	1.28" x .71" Dia. (32.5 x 20 mm)
Field of View	3:1 (17°) approximately	Weight	1.4 oz (40 g) with cable
Minimum Spot size	0.25" (6 mm)	Housing	High strength ABS, hermetically sealed, exceeds NEMA 4,4x; IP65,67, intrinsically safe. Two locknuts supplied.
Spectral Response	6.5 to 14 μ		

Calibration

Ordering information **IRt/c.03** -* - (Thermocouple Type) - (Pre-Calibrated Temperature Range).
Thermocouple type J,K,E,T over temperature range specified.



Exergen Corporation offices:

USA
400 Pleasant Street
Watertown, MA 02472
Tel: +1 617 923 9900 press 4 for Industrial
Fax: +1 617 923 9911

The Netherlands
Pastoor Clercxstraat 26
5465 RH Veghel
Tel: +31 (0)413 376 599
Fax: +31 (0)413 379 310

industrial@exergen.com
www.exergen.com