

Safety switch NZ.VZ

- ▶ Housing according to EN 50041
- ▶ Various cable entries
- ▶ Plug connector optional
- ▶ LED optional



Approach direction

Horizontal
Adjustable in 90° steps

LED function display (optional)

A function display is available for the following voltage ranges:

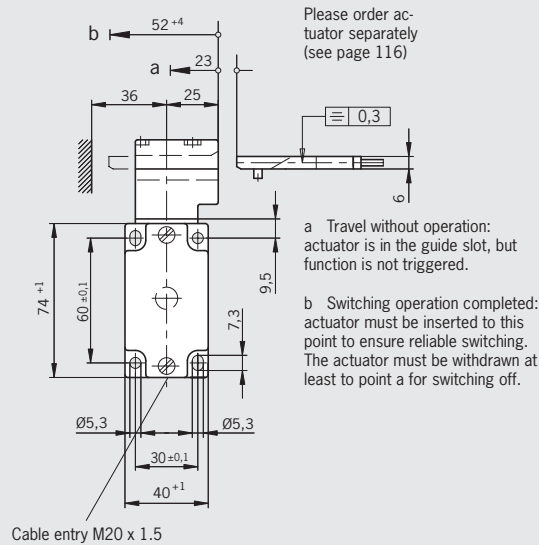
- ▶ AC/DC 12-60 V red

Switching elements (see also page 13/14)

- ▶ **511** Snap-action switching contact
1 NC ⊖ + 1 NO
- ▶ **528H** Slow-action switching contact
1 NC ⊖ + 1 NO
- ▶ **538H** Slow-action switching contact
2 NC ⊖
- ▶ **2121H** Slow-action switching contact
4 NC ⊖
- ▶ **2131H** Slow-action switching contact
3 NC ⊖ + 1 NO
- ▶ **3131H** Slow-action switching contact
2 NC ⊖ + 2 NO

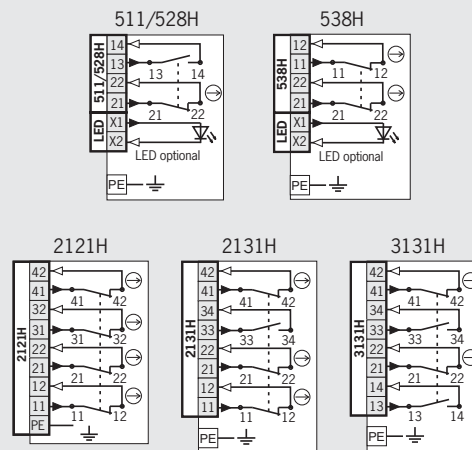
Cable entry M20 x 1.5

Dimension drawings



For cable glands, see page 132

Wiring diagrams actuator inserted



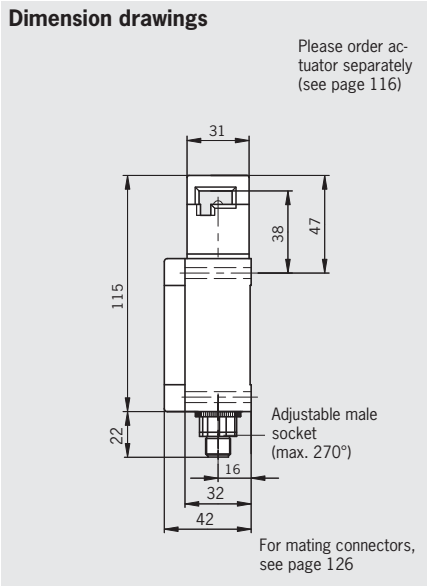
Ordering table

Series	Actuator	Con- nection	Switching element	Function display	
				Without LED	12-60 V red LED
NZ	VZ Separate actuator	1 Cable entry M20 x 1.5	511 ¹⁾ 1 NC ⊖ + 1 NO	089479 ¹⁾ NZ1VZ-511E-M	-
			528H 1 NC ⊖ + 1 NO	090671 NZ1VZ-528E-M	090566 NZ1VZ-528EL060-M
			538H 2 NC ⊖	085676 NZ1VZ-538E-M	082119 NZ1VZ-538EL060-M
			2121H 4 NC ⊖	089486 NZ1VZ-2121E-M	-
			2131H 3 NC ⊖ + 1 NO	082123 NZ1VZ-2131E-M	-
			3131H 2 NC ⊖ + 2 NO	082122 NZ1VZ-3131E-M	-

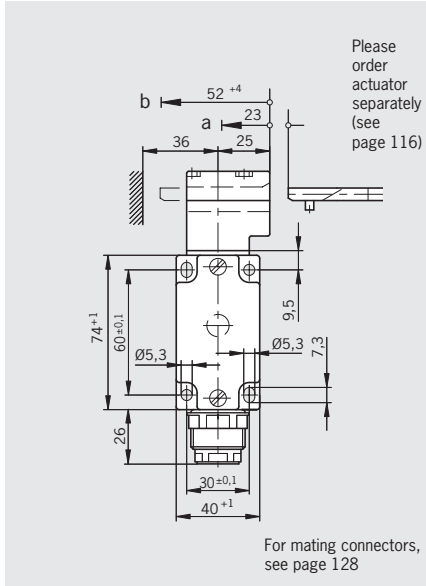
1) No DGUV approval for switching element 511



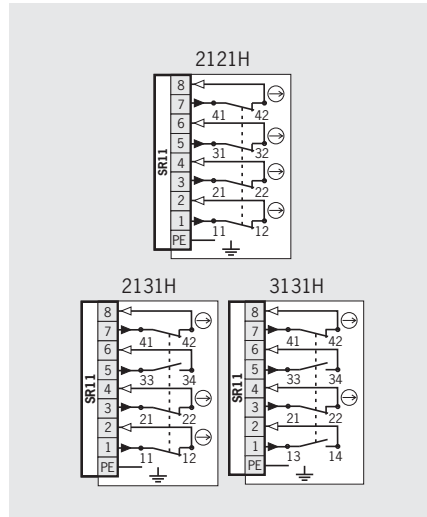
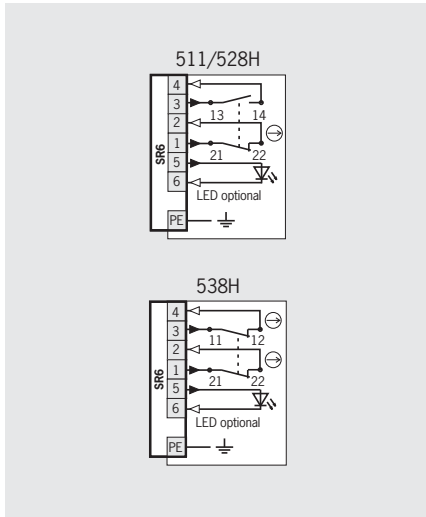
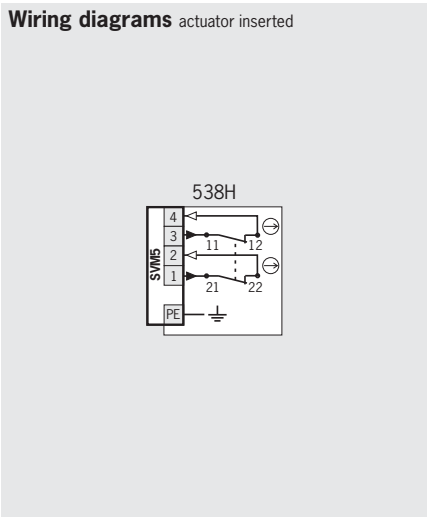
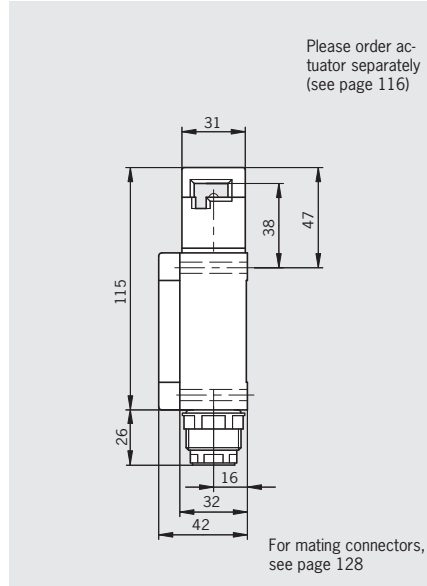
Plug connector SVM5 M12 plug, 5-pin



Plug connector SR6 6-pin + PE



Plug connector SR11 11-pin + PE



Please turn over

Ordering table

Series	Actuator	Con- nection	Switching element	Function display	
				Without LED	12-60 V red LED
NZ	VZ Separate actuator	2 Plug con- nector SVM5	538H 2 NC ⊕	084905 NZ2VZ-538ESVM5	-
		2 Plug con- nector SR6	528H 1 NC ⊕ + 1 NO	084885 NZ2VZ-528E	045801 NZ2VZ-528EL060
			538H 2 NC ⊕	090143 NZ2VZ-538E	052108 NZ2VZ-538EL060
		2 Plug con- nector SR11	2121H 4 NC ⊕	088852 NZ2VZ-2121E	-
			2131H 3 NC ⊕ + 1 NO	090144 NZ2VZ-2131E	-
			3131H 2 NC ⊕ + 2 NO	090145 NZ2VZ-3131E	-

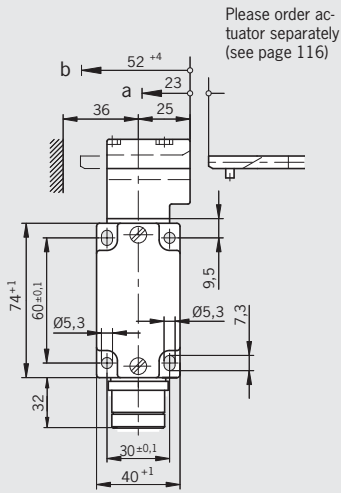
For technical data, see page 163



Plug connector MR8 7-pin + PE

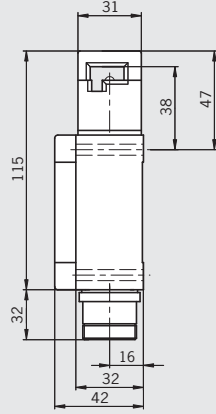
Plug connector MR9 8-pin + PE

Plug connector MR10 9-pin + PE



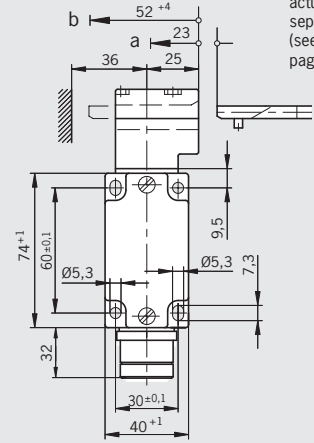
Please order actuator separately (see page 116)

For mating connectors, see page 131



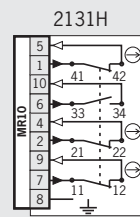
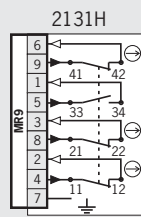
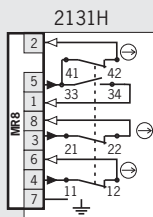
Please order actuator separately (see page 116)

For mating connectors, see page 131



Please order actuator separately (see page 116)

For mating connectors, see page 131



Ordering table

Series	Actuator	Con- nection	Switching element	Function display	
				Without LED	
NZ	VZ Separate actuator	1 Plug con- nector MR8	2131H 3 NC \ominus + 1 NO	092355 NZ2VZ-2131E-8C-GMMF	
		1 Plug con- nector MR9	2131H 3 NC \ominus + 1 NO	077363 NZ2VZ-2131E-9C-GMMF	
		1 Plug con- nector MR10	2131H 3 NC \ominus + 1 NO	095896 NZ2VZ-2131E-10C-FW	