

## Safety switch NZ.RS with roller plunger

- ▶ **Version C** acc. to EN 50041 NZ.RS (steel roller  $\varnothing$  12 mm)
- ▶ **LED optional**
- ▶ **Plug connector optional**



### Approach direction



### LED function display (optional)

A function display is available for the following voltage ranges:

- ▶ DC 24 V  $\pm 10\%$  yellow
- ▶ AC/DC 12-60 V red or yellow
- ▶ AC 110 V  $\pm 15\%$  red
- ▶ AC 230 V  $\pm 15\%$  red

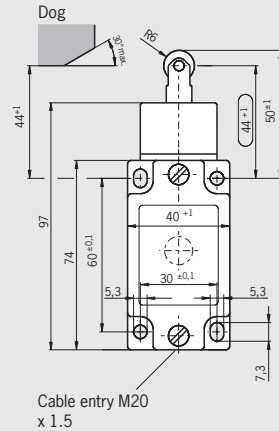
### Switching elements (see also page 13/14)

- ▶ **511** Snap-action switching contact  
1 NC  $\ominus$  + 1 NO
- ▶ **528H** Slow-action switching contact  
1 NC  $\ominus$  + 1 NO
- ▶ **538H** Slow-action switching contact  
2 NC  $\ominus$
- ▶ **2121H** Slow-action switching contact  
4 NC  $\ominus$
- ▶ **2131H** Slow-action switching contact  
3 NC  $\ominus$  + 1 NO
- ▶ **3131H** Slow-action switching contact  
2 NC  $\ominus$  + 2 NO



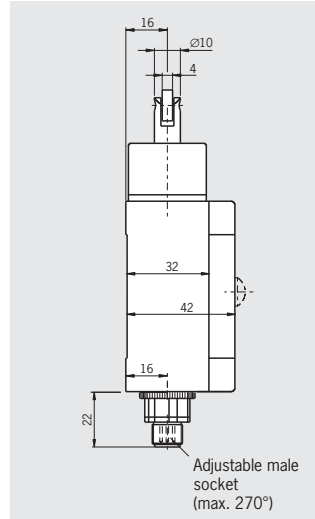
### Cable entry M20 x 1.5

### Dimension drawings



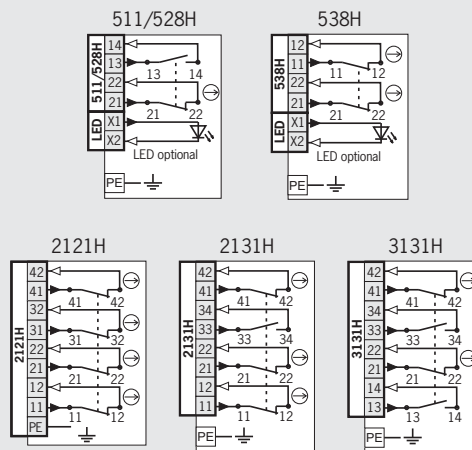
For cable glands, see page 132

### Plug connector SVM5 M12 plug, 5-pin



For mating connectors, see page 126

### Wiring diagrams Switch not actuated



### Ordering table

Series	Actuator	Con- nection	Switching element	Version	Function display		
					Without LED	12-60 V red LED	12-60 V yellow LED
NZ	RS Roller plunger	1 Cable entry M20 x 1.5	511 <sup>1)</sup> 1 NC $\ominus$ + 1 NO		079960 <sup>1)</sup> NZ1RS-511-M	089053 <sup>1)</sup> NZ1RS-511L060-M	086528 <sup>1)</sup> NZ1RS-511L060GE-M
			528H 1 NC $\ominus$ + 1 NO		089627 NZ1RS-528-M	086413 NZ1RS-528L060-M	-
			538H 2 NC $\ominus$		090936 NZ1RS-538-M	090555 NZ1RS-538L060-M	090424 NZ1RS-538L060GE-M
			2121H 4 NC $\ominus$		087595 NZ1RS-2121-M	-	-
			2131H 3 NC $\ominus$ + 1 NO		089633 NZ1RS-2131-M	-	-
			3131H 2 NC $\ominus$ + 2 NO		089631 NZ1RS-3131-M	-	-
		2 Plug con- nector SVM5 (M12 plug)	511 1 NC $\ominus$ + 1 NO		090027 NZ2RS-511SVM5	-	098651 NZ2RS-511SVM5L060GE
			511 1 NC $\ominus$ + 1 NO	C2273 Alternative wiring	-	-	105856 NZ2RS-511SVM5L060GEC2273
			528H 1 NC $\ominus$ + 1 NO		090963 NZ2RS-528SVM5	-	-
			538H 2 NC $\ominus$		090964 NZ2RS-538SVM5	-	-

1) No DGUV approval for switching element 511



**Plug connector SM8**  
M12 plug, 8-pin



**Plug connector SR6**  
6-pin + PE

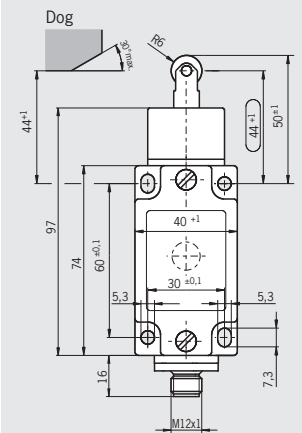


**Plug connector SR6 angled**  
6-pin + PE

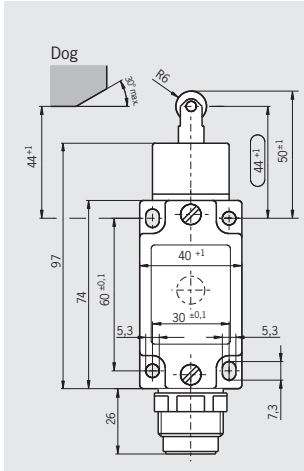


**Plug connector MR9**  
8-pin + PE

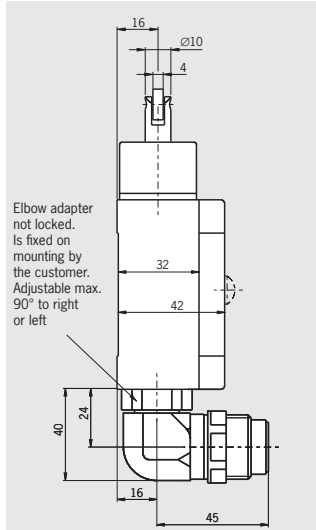
### Dimension drawings



For mating connectors, see page 126

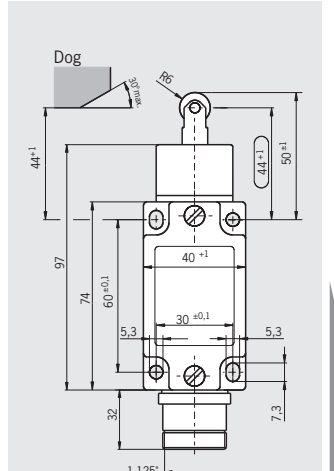


For mating connectors, see page 128



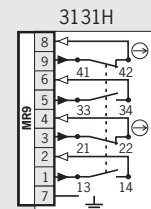
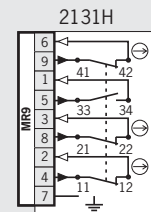
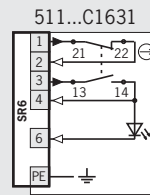
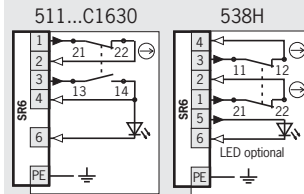
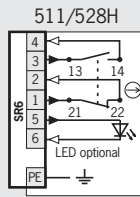
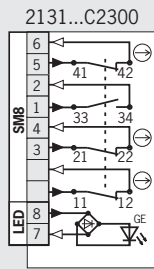
Elbow adapter not locked. Is fixed on mounting by the customer. Adjustable max. 90° to right or left

For mating connectors, see page 128



For mating connectors, see page 131

### Wiring diagrams Switch not actuated



Please turn over

### Ordering table

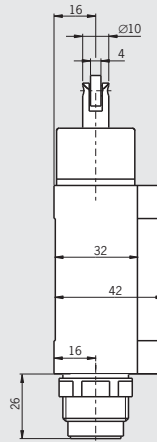
Series	Actuator	Con- nection	Switching element	Version	Function display			
					Without LED	24 V LED yellow	12-60 V red LED	12-60 V yellow LED
NZ	RS Roller plunger	2 Plug con- nector <b>SM8</b> (M12 plug)	<b>2131H</b> 3 NC ⊕ + 1 NO	<b>C2300</b> Alternative wiring	-	<b>106478</b> NZ2RS-2131L024GEC2300	-	-
			<b>511</b> <sup>1)</sup> 1 NC ⊕ + 1 NO	-	<b>090024</b> <sup>1)</sup> NZ2RS-511	-	<b>090147</b> <sup>1)</sup> NZ2RS-511L060	<b>089622</b> <sup>1)</sup> NZ2RS-511L060GE
		2 Plug con- nector <b>SR6</b>	<b>511</b> <sup>1)</sup> 1 NC ⊕ + 1 NO	<b>C1630</b> Alternative wiring	-	-	-	<b>082400</b> <sup>1)</sup> NZ2RS-511L060C1630
			<b>528H</b> 1 NC ⊕ + 1 NO	-	<b>090950</b> NZ2RS-528	-	<b>088197</b> NZ2RS-528L060	-
			<b>538H</b> 2 NC ⊕	-	<b>090951</b> NZ2RS-538	-	<b>090952</b> NZ2RS-538L060	-
	2 Plug con- nector <b>SR6</b> Angled	<b>511</b> 1 NC ⊕ + 1 NO	<b>C1631</b> Alternative wiring	-	-	-	<b>079350</b> NZ2RS-511L060C1631	
	1...9C Plug con- nector <b>MR9</b>	<b>2131H</b> 3 NC ⊕ + 1 NO	-	<b>077362</b> <sup>2)</sup> NZ1RS-2131-9C-GMMF	-	-	-	
<b>3131H</b> 2 NC ⊕ + 2 NO		-	<b>087074</b> NZ2RS-3131-9C-GMMF	-	-	-		

1) DGUV approval not for switching element 511 2) UL approval only for safety switch 077362



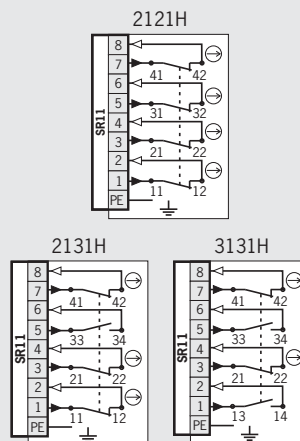
**Plug connector SR11**  
11-pin + PE

### Dimension drawings



For mating connectors, see page 128

### Wiring diagrams Switch not actuated



### Ordering table

Series	Actuator	Con- nection	Switching element	Version	Function display
					Without LED
NZ	RS Roller plunger	2 Plug con- nector SR11	2121H 4 NC $\ominus$		<b>090974</b> NZ2RS-2121
			2131H 3 NC $\ominus$ + 1 NO		<b>090149</b> NZ2RS-2131
			3131H 2 NC $\ominus$ + 2 NO		<b>090954</b> NZ2RS-3131