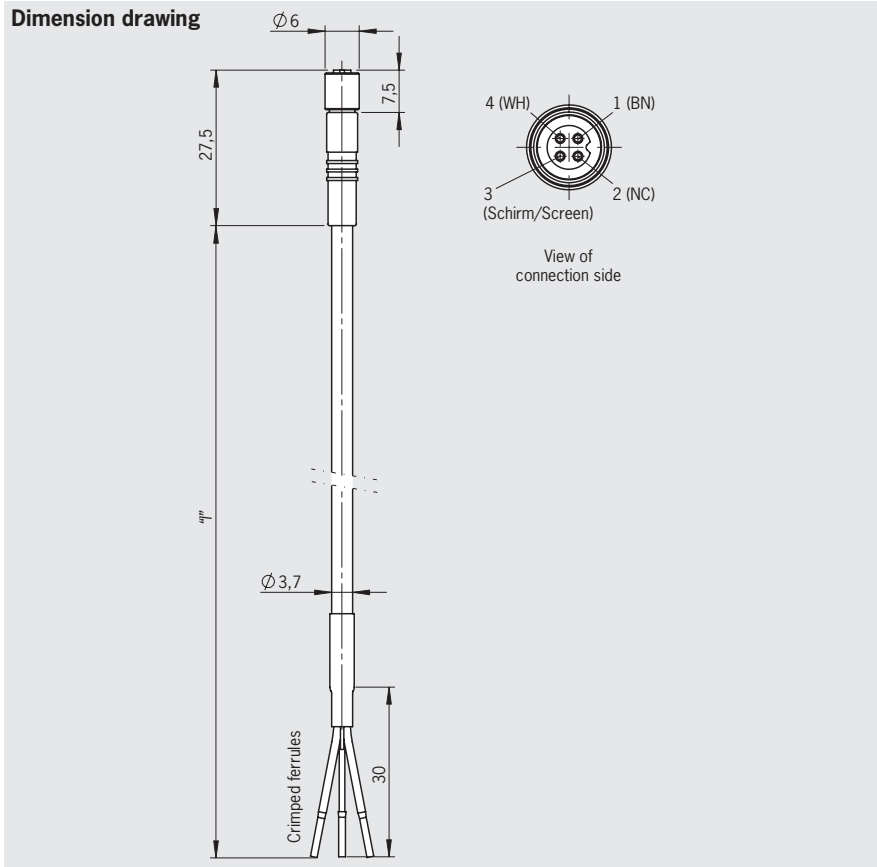


## Connection cables with plug connectors

- ▶ For read heads with M5 plug connector

for CES-A-LSP-..SB  
straight, M5 socket, 3-pin

### Dimension drawing



### Ordering table

Use	Plug connector	Type of cable	Cable length [m]	Order no / item
For read heads CES-A-LSP-..SB	Straight	V PVC cable	5	<b>105555</b> C-M05F03-02X014PV05,0-ES-105555
			10	<b>105556</b> C-M05F03-02X014PV10,0-ES-105556
			20	<b>105559</b> C-M05F03-02X014PV20,0-ES-105559

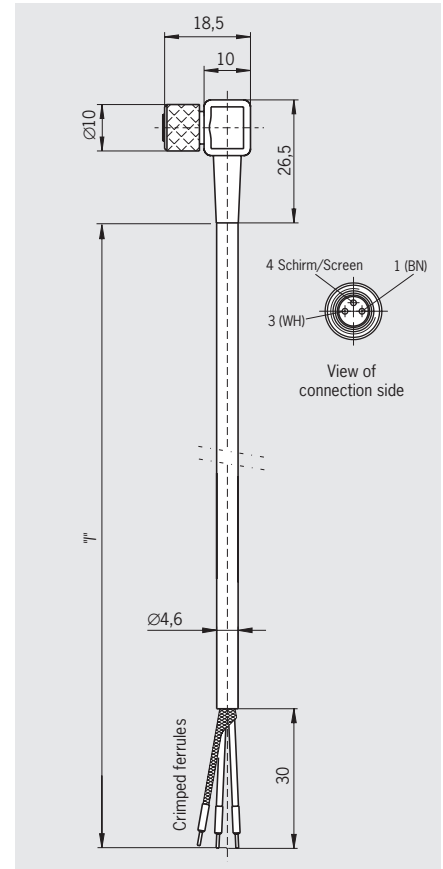
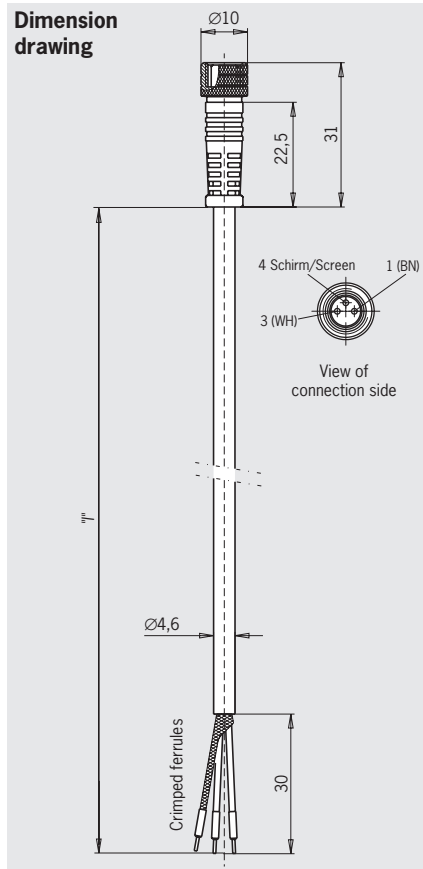
### Technical data

Parameter	Value			Unit
	min.	typ.	max.	
Plug connector	3-pin M5 female plug, straight			
Connection	Screw terminal, knurled nut not connected to cable screen			
Conductor cross-section	2 x 0.14 screened			mm <sup>2</sup>
Material, outer sheath	PVC Ø 3.7 mm			mm
Cable length	Max. 25 (taking into account the switching distance)			m

► For read heads with M8 plug connector

For CES-A-L.../CEM-A-L.../CET-AX  
straight, M8 socket, 3-pin

For CES-A-L.../CEM-A-L.../CET-AX  
angled, M8 socket, 3-pin



## Ordering table

Use	Plug connector	Type of cable	Cable length [m]	Order no / item
For Read heads CES-A-L.../ CEM-A-L.../ CET-AX-L...-SC	Straight	V PVC cable	3	<b>077935</b> C-M08F03-02X025PV03,0-ES-077935
			5	<b>077793</b> C-M08F03-02X025PV05,0-ES-077793
			10	<b>077767</b> C-M08F03-02X025PV10,0-ES-077767
			20	<b>077716</b> C-M08F03-02X025PV20,0-ES-077716
			25	<b>077717</b> C-M08F03-02X025PV25,0-ES-077717
	Straight	P Cable PUR	5	<b>084762</b> C-M08F03-02X025PU05,0-ES-084762
			10	<b>084763</b> C-M08F03-02X025PU10,0-ES-084763
			15	<b>084764</b> C-M08F03-02X025PU15,0-ES-084764
			20	<b>084765</b> C-M08F03-02X025PU20,0-ES-084765
			25	<b>084766</b> C-M08F03-02X025PU25,0-ES-084766
	Angled	V PVC cable	10	<b>084701</b> C-M08F03-02X025PV10,0-ES-084701
			25	<b>099998</b> C-M08F03-02X025PV25,0-ES-099998
	P Cable PUR	10	<b>098590</b> C-M08F03-02X025PU10,0-ES-098590	

## Technical data

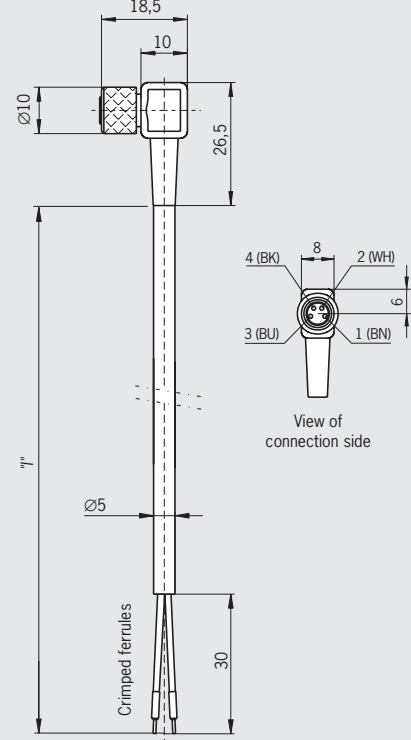
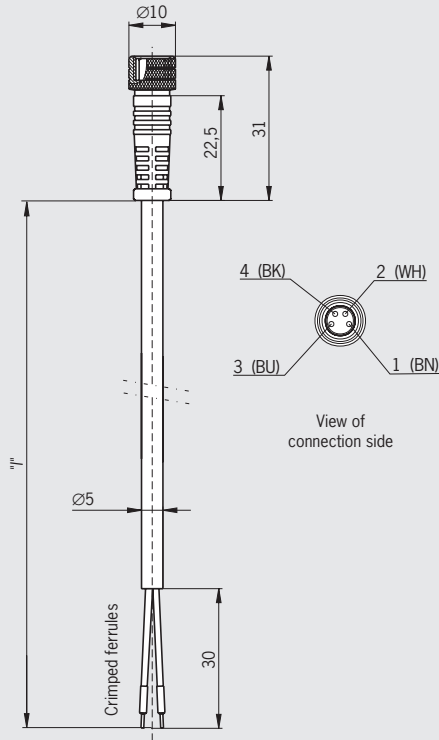
Parameter	Value			Unit
	min.	typ.	max.	
Plug connector	3-pin M8 female plug, straight			
Connection	Screw terminal, knurled nut not connected to cable screen			
Conductor cross-section	2 x 0.25 screened			mm <sup>2</sup>
Material, outer sheath	PVC Ø 4.6 or PUR Ø 4.8 (PUR cables are suitable for drag chains)			mm
Cable length	Max. 25 (taking into account the switching distance)			m

## Connection cables with plug connectors

For solenoid operating voltage read head CEM/CET-AX straight, M8 socket, 4-pin

For solenoid operating voltage read head CEM/CET-AX angled, M8 socket, 4-pin

### Dimension drawing



### Ordering table

Use	Plug connector	Type of cable	Cable length [m]	Order no / item
For solenoid operating voltage read heads CEM-A-L.../CET-AX-L...-SC	Straight	V PVC cable	5	<b>088813</b> C-M08F04-04X025PV05,0-ES-088813
			10	<b>088814</b> C-M08F04-04X025PV10,0-ES-088814
			15	<b>088815</b> C-M08F04-04X025PV15,0-ES-088815
			25	<b>095035</b> C-M08F04-04X025PV25,0-ES-095035
			50	<b>097100</b> C-M08F04-04X025PV50,0-ES-097100
	Angled	V PVC cable	10	<b>084703</b> C-M08F04-04X025PV10,0-ES-084703

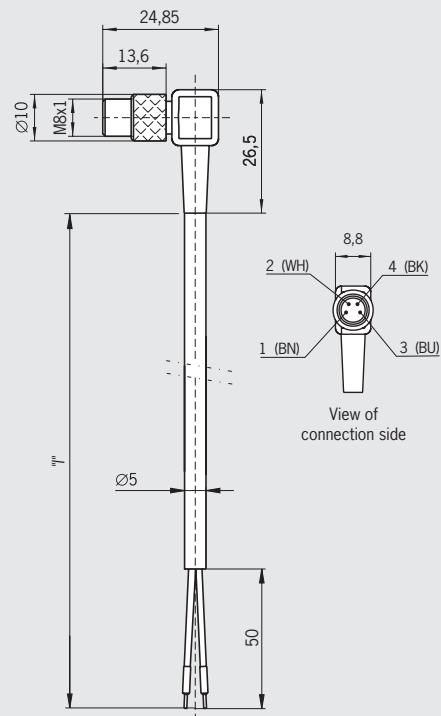
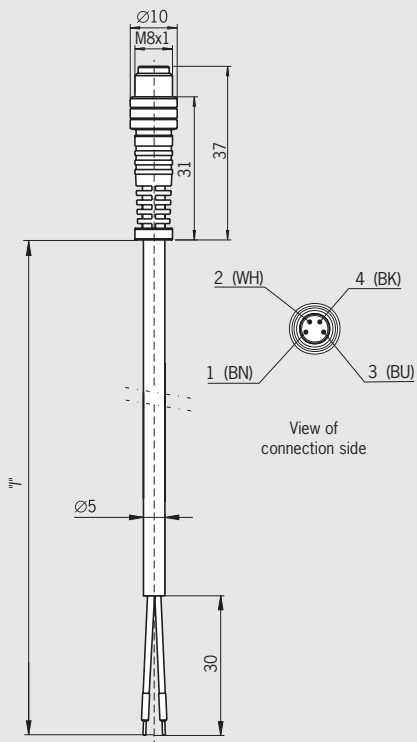
### Technical data

Parameter	Value			Unit
	min.	typ.	max.	
Plug connector		4-pin M8 female plug		
Connection		Screw terminal		
Conductor cross-section		4 x 0.25		mm <sup>2</sup>
Material, connector housing		PUR black		
Material, outer sheath		PVC Ø 5.0		mm
Material, union nut		CuZn nickel-plated		
Bending radius		Min. 70		mm

For LED indicator read head CEM-A-LH10...  
straight, M8 male plug, 4-pin

For LED indicator read head CEM-A-LH10...  
angled, M8 male plug, 4-pin

### Dimension drawing



CES-AZ

### Ordering table

Use	Plug connector	Type of cable	Cable length [m]	Order no / item
For LED indicator read head CEM-A-LH10...	Straight	V PVC cable	2	<b>088841</b> C-M08M04-04X025PV02,0-ES-088841
			5	<b>088842</b> C-M08M04-04X025PV05,0-ES-088842
			10	<b>088843</b> C-M08M04-04X025PV10,0-ES-088843
			15	<b>088844</b> C-M08M04-04X025PV15,0-ES-088844
	Angled	V PVC cable	10	<b>084705</b> C-M08M04-04X025PV10,0-ES-084705

### Technical data

Parameter	Value			Unit
	min.	typ.	max.	
Plug connector	4-pin M8 male plug			
Connection	Screw terminal			
Conductor cross-section	4 x 0.25			mm <sup>2</sup>
Material, connector housing	PUR black			
Material, outer sheath	PVC Ø 5.0			mm
Material, union nut	CuZn nickel-plated			
Bending radius	Min. 10 x sheath diameter			mm

## Connection cables with plug connectors

► **For read heads with M12 plug connector**

These special connection cables are needed for the connection of the CET to a CES evaluation unit. Please take into account in the order! Interference is prevented by special screening.

**Important**

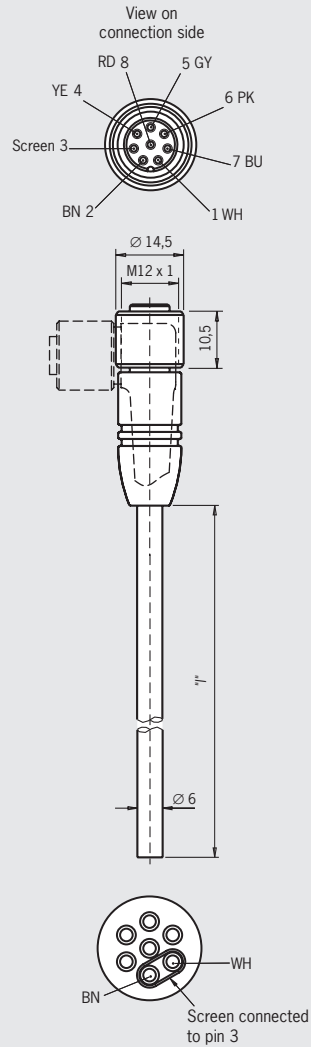
Connection cables are not allowed to be extended.

**Note**

The connection cables with PUR sheath are suitable for drag chains with a minimum bending radius of 60 mm (10 times the cable diameter).

**For CET... straight/angled, M12 socket, 8-pin**

**Dimension drawing**



**Ordering table**

Use	Sheath	Plug connector	Cable length [m]	Order no.
<b>For CET...</b> Connection cable 7 x 0.25 mm <sup>2</sup> with plug connector M12 and flying lead	PVC	Straight	10	<b>099633</b> C-M12F08-07X025PV10,0-MA-099633
			20	<b>099634</b> C-M12F08-07X025PV20,0-MA-099634
		25	<b>103115</b> C-M12F08-07X025PV25,0-MA-103115	
		Angled	10	<b>100456</b> C-M12F08-07X025PV10,0-MA-100456
	20		<b>105071</b> C-M12F08-07X025PV20,0-MA-105071	
	PUR	Straight	10	<b>102218</b> C-M12F08-07X025PU10,0-MA-102218
25			<b>103782</b> C-M12F08-07X025PU25,0-MA-103782	

## Plug connector and connection set

- ▶ **Plug connector for extending the connection cable**
- ▶ **For read heads CES-A-L.../CEM-A-L...**

Using EUCHNER couplings / plug connectors, the user can cut the read head cable to size on site at any point and connect the couplings / plug connectors.

### Note

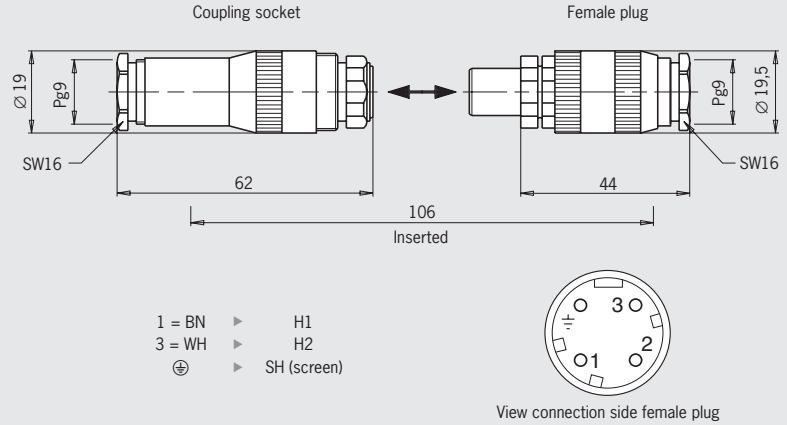
The connection cable for the read head can only be extended using these self-assembly couplings / plug connectors under the following conditions:

- ▶ The total maximum cable length is 25 m, taking into account the switch-on distance.
- ▶ The cable specified by EUCHNER must be used for the extension (screened, strand cross-section 2 x 0.25 mm<sup>2</sup>).
- ▶ The plug connector housing must be electrically isolated from the machine ground.

**Coupling socket**  
3-pin + PE

**Female plug**  
3-pin + PE

### Dimension drawing



### Ordering table

Designation	Version	Order no / item
<b>KD4C1851</b> 3-pin + PE	Coupling socket for female plug BS4C1851	<b>077434</b> KD4C1851
<b>BS4C1851</b> 3-pin + PE	Female plug for coupling socket KD4C1851	<b>077435</b> BS4C1851

### Technical data

Parameter	Value			Unit
	min.	typ.	max.	
Housing material	CuZn, matt chromium-plated			
Degree of protection according to EN 60529	IP65 (inserted)			

- ▶ **Plug-in connection terminals for evaluation unit CES-AZ**

### Ordering table

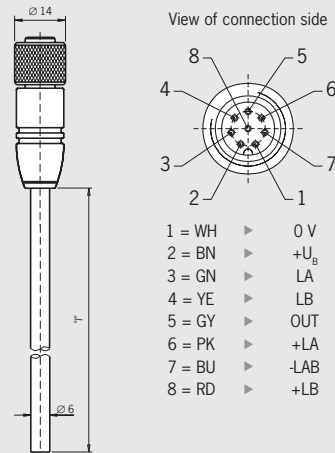
Designation	Version	Order no / item
<b>Connection set</b> for evaluation unit CES-AZ-ES-01B	Plug-in screw terminals	<b>104756</b> CES-EA-TC-AK04-104756
	Plug-in spring terminals	<b>112631</b> CES-EA-TC-KK04-112631
<b>Connection set</b> for evaluation unit CES-AZ-ES-02B	Plug-in screw terminals	<b>104771</b> CES-EA-TC-AK06-104771
	Plug-in spring terminals	<b>112630</b> CES-EA-TC-KK06-112630
<b>Connection set</b> for evaluation unit CES-AZ-ES-04B	Plug-in screw terminals	<b>104776</b> CES-EA-TC-AK08-104776
	Plug-in spring terminals	<b>112629</b> CES-EA-TC-KK08-112629

## Connection cables with plug connectors

- ▶ Connection cable for safety switch CES-A-C5.../CES-A-W5...

For CES-A-C5.../CES-A-W5...  
M12 plug, 8-pin, silicone-free

### Dimension drawing



### Ordering table

Use	Plug connector	Type of cable	Cable length [m]	Order no / item
For CES-A-C5...	Straight	V PVC cable	5	<b>077751</b> C-M12F08-08X025PV05,0-ZN-077751
			10	<b>077752</b> C-M12F08-08X025PV10,0-ZN-077752
			15	<b>077753</b> C-M12F08-08X025PV15,0-ZN-077753
			20	<b>077871</b> C-M12F08-08X025PV20,0-ZN-077871
			25	<b>077872</b> C-M12F08-08X025PV25,0-ZN-077872
			50	<b>077873</b> C-M12F08-08X025PV50,0-ZN-077873

### Technical data

Parameter	Value			Unit
	min.	typ.	max.	
Plug connector	8-pin M12 female connector, straight			
Connection	Screw terminal, knurled nut electrically connected to cable screen			
Conductor cross-section	8 x 0.25 screened			mm <sup>2</sup>
Material, outer sheath	PVC			
Cable length	Max. 300 (taking into account the voltage drop due to the cable resistance, see table)			m

### Voltage drop as a function of switching current and cable length (examples)

Switching current [mA]	Cable length "l" [m]	Voltage drop Output [V]	Max. voltage drop	
			Cable [V]	Total [V]
6 (safety control system with pulsed signals)	1 - 100	1.4	0.1	1.5
	101 - 300	1.4	0.4	1.8
50 (safety relay)	1 - 15	1.5	0.2	1.7
	16 - 50	1.5	0.5	2.0
	51 - 100	1.5	1.0	2.5
	101 - 300	1.5	3.0	3.5
400 (e. g. small contactor)	1 - 15	1.7	1.2	2.9
	16 - 50	1.7	4.0	5.7
	51 - 100	1.7	8.0	9.7
	101 - 300	1.7	-	-

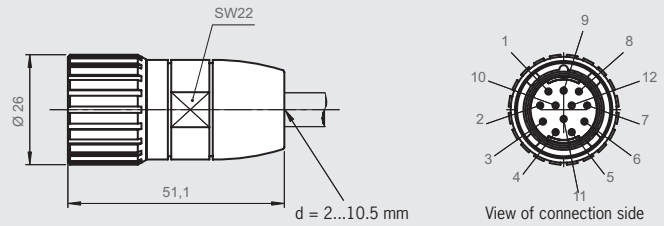
## Plug connector

- ▶ Plug connector for safety switch CES-A-S5...

**Plug connector M23**  
M23 plug, 12-pin



### Dimension drawing



### Note:

- ▶ Screened connection cables must be used for the connection.

### Ordering table

Designation	Version	Order no / item
M23 plug 12-pin	Mating connector for safety switch CES-A-S5...	<b>096490</b> RC-12 POL CES-A-S5-H01

### Technical data

Parameter	Value			Unit
	min.	typ.	max.	
Housing material		CuZn, nickel-plated		
Degree of protection according to EN 60529		IP67 (inserted)		



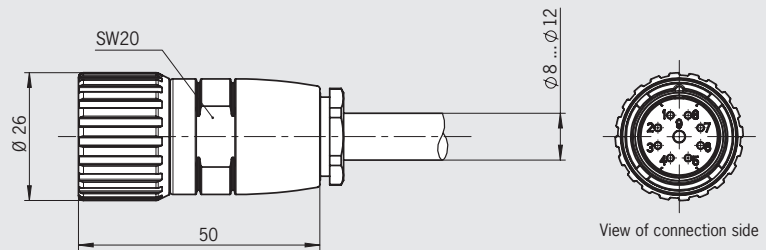
## Plug connector

- ▶ Plug connector for safety switches CES-AH-C03-...

### Plug connector M23

M23 plug, 9-pin

#### Dimension drawing



## Ordering table

Designation	Version	Order no / item
<b>M23 plug</b> 9-pin	Mating connector for safety switches CES-AH-C03-... with soldered contacts	<b>106597</b> P-M23F09-106597

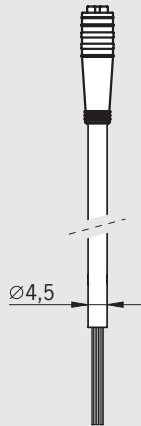
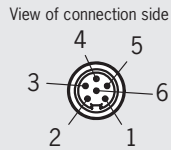
## Technical data

Parameter	Value			Unit
	min.	typ.	max.	
Housing material		CuZn, nickel-plated		
Degree of protection according to EN 60529		IP67 (inserted)		

## Connection cables and safety screws

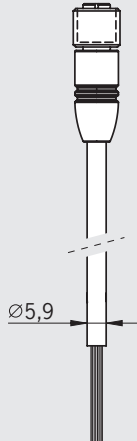
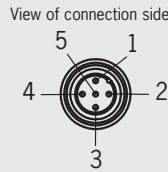
**Flying lead**  
M8 snap-on, 6-pin

### Dimension drawing



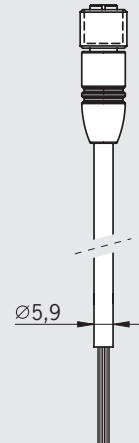
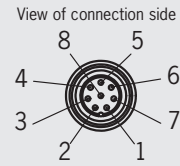
- 1 = BN ▶ U<sub>B</sub>
- 2 = WH ▶ OA
- 3 = BU ▶ 0 V
- 4 = BK ▶ OB
- 5 = GY ▶ OUT
- 6 = PK ▶ NC

**Flying lead**  
M12 female plug 5-pin



- 1 = BN ▶ U<sub>B</sub>
- 2 = WH ▶ OA
- 3 = BU ▶ 0 V
- 4 = BK ▶ OB
- 5 = GY ▶ DIA/OUT

**Flying lead**  
M12 female plug 8-pin



- 1 = WH ▶ IB
- 2 = BN ▶ UB
- 3 = GN ▶ OA
- 4 = YE ▶ OB
- 5 = GY ▶ DIA
- 6 = PK ▶ IA
- 7 = BU ▶ 0 V
- 8 = RD ▶ RST

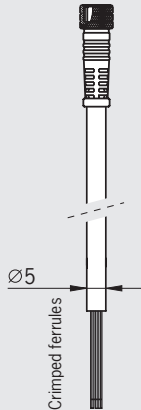
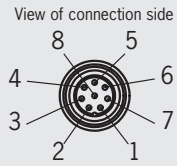
### Ordering table

Series	Comment	Order no. / item
<b>M8 connection cable PVC with snap-on, 6-pin, flying lead, 6 x 0,14 mm<sup>2</sup></b> for the connection of a CES-AP-C.2...SF	M8 snap-on 6-pin, length 5 m	<b>103556</b> C-R08F06-06X014PV05,0-ES-103556
	M8 snap-on 6-pin, length 10 m	<b>103557</b> C-R08F06-06X014PV10,0-ES-103557
	M8 snap-on 6-pin, length 15 m	<b>103558</b> C-R08F06-06X014PV15,0-ES-103558
	M8 snap-on 6-pin, length 20 m	<b>103559</b> C-R08F06-06X014PV20,0-ES-103559
	M8 snap-on 6-pin, length 25 m	<b>103560</b> C-R08F06-06X014PV25,0-ES-103560
<b>M12 connection cable PVC 5-core, flying lead, 5 x 0,34 mm<sup>2</sup></b> for the connection of a CES-AP-C.1...SB / CES-AP-C.2...SB	M12 female plug 5-pin, length 5 m	<b>100183</b> C-M12F05-05X034PV05,0-MA-100183
	M12 female plug 5-pin, length 10 m	<b>100184</b> C-M12F05-05X034PV10,0-MA-100184
	M12 female plug 5-pin, length 20 m	<b>100185</b> C-M12F05-05X034PV20,0-MA-100185
<b>M12 connection cable PVC 8-core, flying lead, 8 x 0,25 mm<sup>2</sup></b> for the connection of a CES-AP-C01...SA	M12 female plug 8-pin, length 5 m	<b>100177</b> C-M12F08-08X025PV05,0-MA-100177
	M12 female plug 8-pin, length 10 m	<b>100178</b> C-M12F08-08X025PV10,0-MA-100178
	M12 female plug 8-pin, length 20 m	<b>100179</b> C-M12F08-08X025PV20,0-MA-100179
<b>Safety screws</b> (replacement) for safety switch CES-AP-C.2... and actuator CES-A-BLN...	M4 x 14 packaging unit 100 ea.	<b>074063</b> Safety screws M4 x 14

## Connection cables

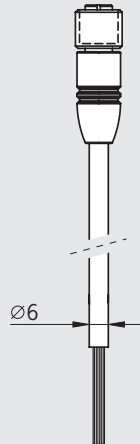
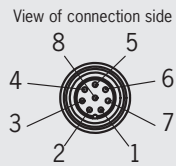
**Flying lead**  
M8 female plug 8-pin

### Dimension drawing



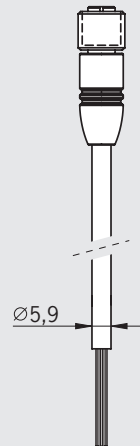
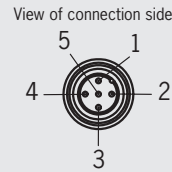
1 = WH	▶	IB
2 = BN	▶	UB
3 = GN	▶	OA
4 = YE	▶	OB
5 = GY	▶	OUT
6 = PK	▶	IA
7 = BU	▶	0 V
8 = RD	▶	RST

**Flying lead**  
M12 female plug 8-pin



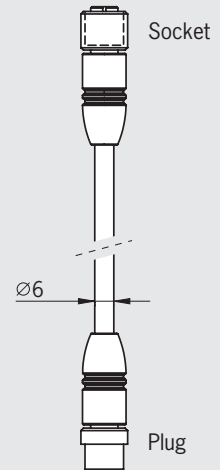
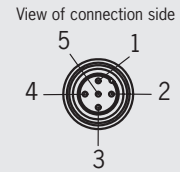
1 = WH	▶	IB
2 = BN	▶	UB
3 = GN	▶	OA
4 = YE	▶	OB
5 = GY	▶	OUT
6 = PK	▶	IA
7 = BU	▶	0 V
8 = RD	▶	RST

**Flying lead**  
M12 female plug 5-pin



	CES-AR	CET-AR
1 = BN	▶	$U_B$
2 = WH	▶	0 V $U_{CM}$
3 = BU	▶	LED1/ OUT D
4 = BK	▶	LED1/ LED2
5 = GY	▶	$U_{CM}$ J/Y/n.c.

**Plug on both ends**  
M12 male and female plug 5-pin



	CES-AR	CET-AR
1 = BN	▶	$U_B$
2 = WH	▶	0 V $U_{CM}$
3 = BU	▶	LED1/ OUT D
4 = BK	▶	LED1/ LED2
5 = GY	▶	$U_{CM}$ J/Y/n.c.

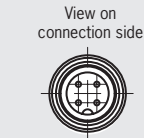
## Ordering table

Series	Comment	Order no.
<b>M8 connection cable PUR 8-core, flying lead</b> for the connection of a CES-AR-C.2	M8 female plug 8-pin, length 5 m	<b>106671</b> C-M08F08-08X014PU05,0-ES-106671
	M8 female plug 8-pin, length 10 m	<b>106672</b> C-M08F08-08X014PU10,0-ES-106672
	M8 female plug 8-pin, length 20 m	<b>106673</b> C-M08F08-08X014PU20,0-ES-106673
<b>M8 connection cable PVC 8-core, flying lead</b> for the connection of a CES-AR-C.2	M8 female plug 8-pin, length 5 m	<b>110933</b> C-M08F08-08X014PV205,0-ES-110933
	M8 female plug 8-pin, length 10 m	<b>110934</b> C-M08F08-08X014PV210,0-ES-110934
	M8 female plug 8-pin, length 15 m	<b>110935</b> C-M08F08-08X014PV210,0-ES-110935
	M8 female plug 8-pin, length 20 m	<b>111603</b> C-M08F08-08X014PV220,0-ES-111603
<b>M12 connection cable PVC 8-core, flying lead</b> for the connection of a CES-AR-C01/ CES-AR-C.2/CET-AR	M12 female plug 8-pin, length 5 m	<b>100177</b> C-M12F08-08X025PV05,0-MA-100177
	M12 female plug 8-pin, length 10 m	<b>100178</b> C-M12F08-08X025PV10,0-MA-100178
	M12 female plug 8-pin, length 20 m	<b>100179</b> C-M12F08-08X025PV20,0-MA-100179
<b>M12 connection cable PVC 5-core, flying lead</b> for the connection of the last CES-AR-C01/ CES-AR-C.2/CET-AR in a switch chain	M12 female plug 5-pin, length 5 m	<b>100183</b> C-M12F05-05X034PV05,0-MA-100183
	M12 female plug 5-pin, length 10 m	<b>100184</b> C-M12F05-05X034PV10,0-MA-100184
	M12 female plug 5-pin, length 20 m	<b>100185</b> C-M12F05-05X034PV20,0-MA-100185
<b>M12 connection cable PVC 5-core, connectors at both ends</b> for the connection of two CES-AR-C01/ CES-AR-C.2/CET-AR in a switch chain	M12 female plug 5-pin to M12 male plug, length 5 m	<b>100180</b> C-M12F05-05X034PV05,0-M12M05-100180
	M12 female plug 5-pin to M12 male plug, length 10 m	<b>100181</b> C-M12F05-05X034PV10,0-M12M05-100181
	M12 female plug 5-pin to M12 male plug, length 20 m	<b>100182</b> C-M12F05-05X034PV20,0-M12M05-100182

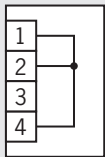
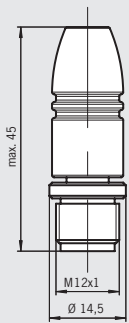
## Bridging connector/Y-distributor

**Bridging plug**  
Male plug 4-pin

### Dimension drawing

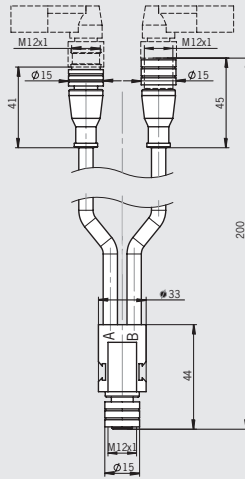
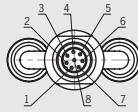


(figure similar)

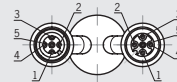


Wiring  
Bridging plug

**Y-distributor M12 with connection cable**  
1 x 8-pin, 2 x 5-pin



**Plug**

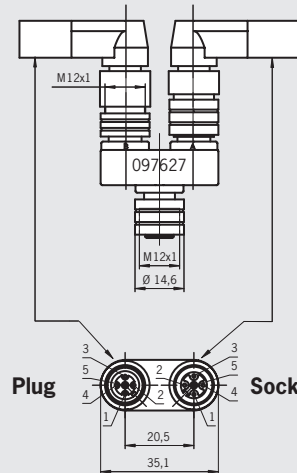
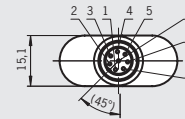


**Socket**

Pin	Function	Pin	Function
1	U <sub>B</sub>	1	U <sub>B</sub>
2	OA	2	IA
3	0 V	3	0 V
4	OB	4	IB
5	RST	5	RST

**Note:** For the connection to the Y-distributor, 5-pin standard plug connectors M12 can be used.

**Y-distributor M12**  
1 x 8-pin, 2 x 5-pin



**Plug**

**Socket**

Pin	Function	Pin	Function
1	U <sub>B</sub>	1	U <sub>B</sub>
2	OA	2	IA
3	0 V	3	0 V
4	OB	4	IB
5	RST	5	RST

**Note:** For the connection to the Y-distributor, 5-pin standard plug connectors M12 can be used.

**Important:** Switch chains must always be terminated with a bridging plug. Switch chains up to maximum 200 m are allowed taking into account the voltage drop due to the cable resistance (see System Manual).

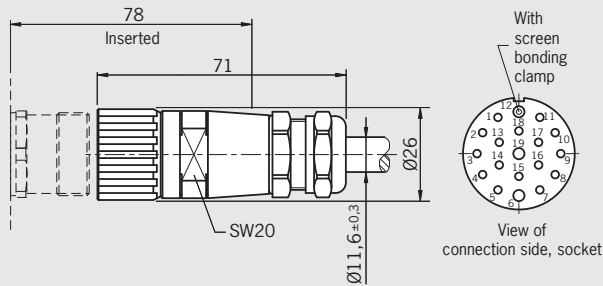
### Ordering table

Series	Comment	Order no.
<b>Bridging plug</b>	M12 plug connector 4-pin	<b>097645</b> Bridging plug
<b>Y-distributor M12 with connection cable</b>	M12, 1 x 8-pin, 2 x 5-pin	<b>111696</b> Y-distributor with connection cable
<b>Y-distributor M12</b>	M12, 1 x 8-pin, 2 x 5-pin	<b>097627</b> Y-distributor M12

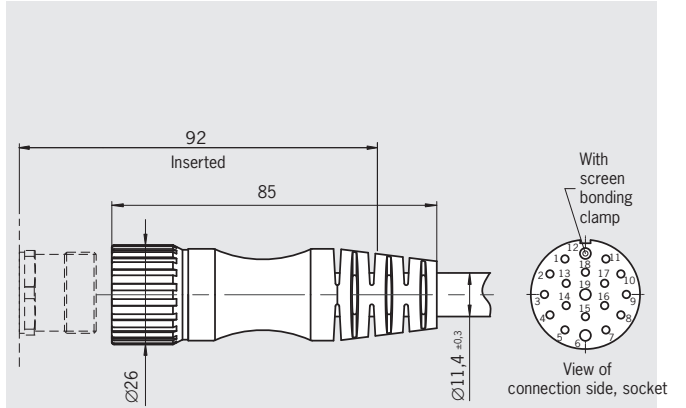
## Connection cables RC18 for CET-AR

**Female plug RC18 with cable**  
18-pin + PE

**Dimension drawing**

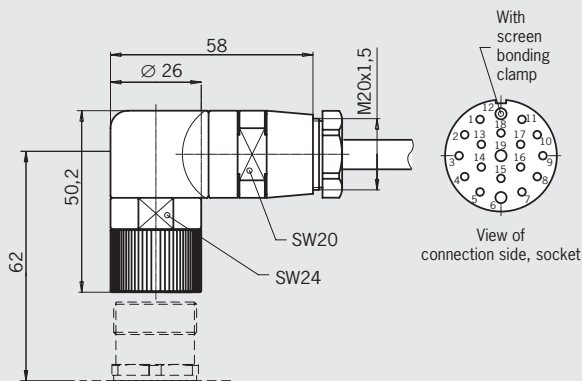


**Female plug RC18 with cable halogen-free**  
18-pin + PE

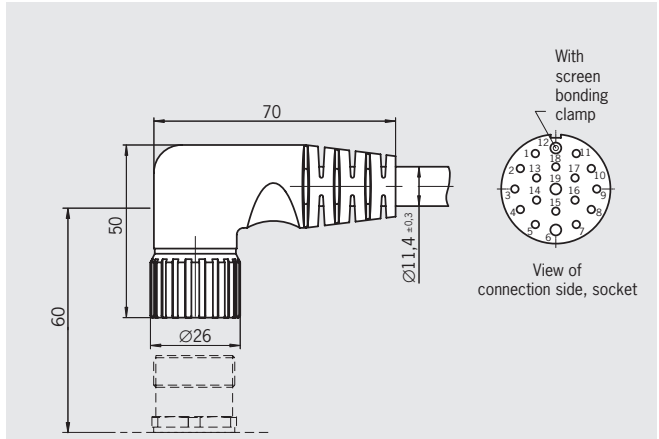


**Female plug RC18 angled with cable**  
18-pin + PE

**Dimension drawing**



**Female plug RC18 angled with cable halogen-free**  
18-pin + PE



**Assignment connection cable RC18 for CET-AR**

Pin	Core color	Wire cross-section [mm]	Pin	Core color	Wire cross-section [mm]
1	VT	0.5	11	BK	0.5
2	RD	0.5	12	GN/YE	1.0
3	GY	0.5	13	PK	0.5
4	RD/BU	0.5	14	BN/GY	0.5
5	GN	0.5	15	BN/YE	0.5
6	BU	1.0	16	BN/GN	0.5
7	GY/PK	0.5	17	WH	0.5
8	GN/WH	0.5	18	YE	0.5
9	YE/WH	0.5	19	BN	1.0
10	GY/WH	0.5			

Ordering table

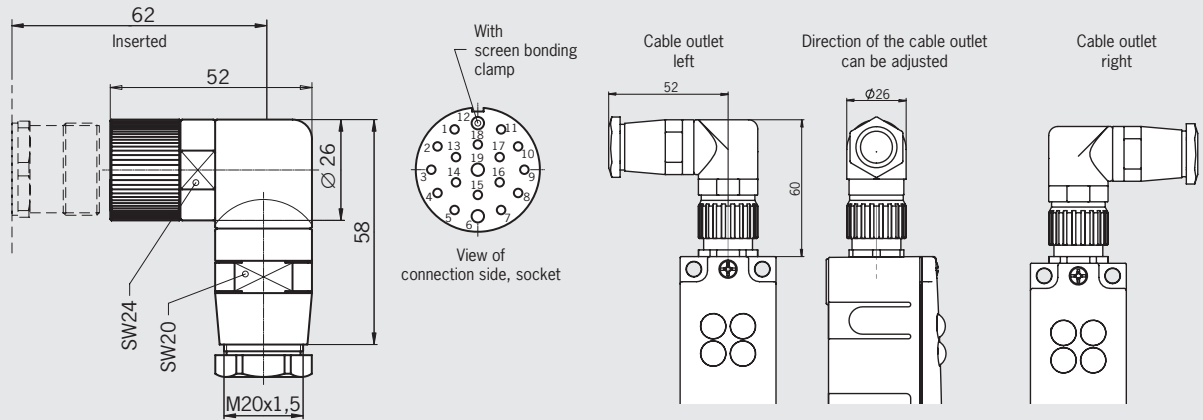
Designation	Cable length [m]	Order no./item	
Female plug RC18 with cable PUR for CET-AR 18-pin + PE	1.5	<b>092761</b> RC18EF1,5M-C1825	
	3	<b>092816</b> RC18EF3M-C1825	
	6	<b>077014</b> RC18EF6M-C1825	
	8	<b>077015</b> RC18EF8M-C1825	
	10	<b>092898</b> RC18EF10M-C1825	
	15	<b>077016</b> RC18EF15M-C1825	
	20	<b>092726</b> RC18EF20M-C1825	
	25	<b>092727</b> RC18EF25M-C1825	
	30	<b>095993</b> RC18EF30M-C1825	
Female plug RC18 with cable PUR halogen-free, suitable for drag chain for CET-AR 18-pin + PE	1.5	<b>092883</b> RC18EF1,5MF-C1825	
	3	<b>092884</b> RC18EF3MF-C1825	
	6	<b>092885</b> RC18EF6MF-C1825	
	8	<b>092886</b> RC18EF8MF-C1825	
	10	<b>092887</b> RC18EF10MF-C1825	
	15	<b>092888</b> RC18EF15MF-C1825	
	20	<b>092889</b> RC18EF20MF-C1825	
	25	<b>092890</b> RC18EF25MF-C1825	
Designation	Cable length [m]	Order no./item	
Female connector RC18 angled with cable PUR for CET-AR 18-pin + PE	1.5	<b>092906</b> RC18WF1,5ML-C1825	<b>092907</b> RC18WF1,5MR-C1825
	3	<b>092908</b> RC18WF3ML-C1825	<b>092909</b> RC18WF3MR-C1825
	6	<b>077018</b> RC18WF6ML-C1825	<b>085194</b> RC18WF6MR-C1825
	8	<b>077019</b> RC18WF8ML-C1825	<b>085195</b> RC18WF8MR-C1825
	10	<b>092901</b> RC18WF10ML-C1825	<b>092902</b> RC18WF10MR-C1825
	15	<b>077020</b> RC18WF15ML-C1825	<b>085196</b> RC18WF15MR-C1825
	20	<b>092910</b> RC18WF20ML-C1825	<b>092911</b> RC18WF20MR-C1825
	25	<b>092912</b> RC18WF25ML-C1825	<b>092913</b> RC18WF25MR-C1825
	Female connector RC18 angled with cable PUR halogen-free suitable for drag chain for CET-AR 18-pin + PE	1.5	<b>092891</b> RC18WF1,5MLF-C1825
3		<b>092893</b> RC18WF3MLF-C1825	<b>092894</b> RC18WF3MRF-C1825
6		<b>092697</b> RC18WF6MLF-C1825	<b>092698</b> RC18WF6MRF-C1825
8		<b>092895</b> RC18WF8MLF-C1825	<b>092896</b> RC18WF8MRF-C1825
10		<b>092699</b> RC18WF10MLF-C1825	<b>092700</b> RC18WF10MRF-C1825
15		<b>092701</b> RC18WF15MLF-C1825	<b>092702</b> RC18WF15MRF-C1825
20		<b>092704</b> RC18WF20MLF-C1825	<b>092708</b> RC18WF20MRF-C1825
25		<b>092724</b> RC18WF25MLF-C1825	<b>092725</b> RC18WF25MRF-C1825

## Female connector RC18 angled CET-AR

### Female connector RC18 angled

18-pin + PE, direction of the cable outlet can be adjusted

#### Dimension drawing



#### Ordering table

Series	Comment	Order no.
RC18 <sup>1)</sup> 18-pin + PE	<b>WF</b> Female plug angled	<b>074617</b> RC18WF
	<b>Replacement pin crimp contacts</b> Wire cross-section 19 x 0.75 - 1 mm <sup>2</sup>	<b>094309</b> Pin crimp contact RCM

1) Crimp contacts included