

**ITEM 095993 C-M23F19-19XDIFPU30,0-MA-095993**

Description	Technical data	Accessories	Downloads
-------------	----------------	-------------	-----------



**Features**

- › M23 plug connector, 18-pin + PE
- › Straight plug connector
- › PUR cable
- › Cable length 30 m
- › With flying lead
- › Cores color-coded

**Connector assignment**

Plug connector (view of connection side)	Pin	Cross-section	Conductor coloring
	1	0.5 <sup>2</sup>	VT
	2	0.5 <sup>2</sup>	RD
	3	0.5 <sup>2</sup>	GY
	4	0.5 <sup>2</sup>	RDBU
	5	0.5 <sup>2</sup>	GN
	6	1.0 <sup>2</sup>	BU

Plug connector (view of connection side)	Pin	Cross-section	Conductor coloring
	7	0.5 <sup>2</sup>	GYPK
	8	0.5 <sup>2</sup>	GNWH
	9	0.5 <sup>2</sup>	YEWH
	10	0.5 <sup>2</sup>	GYWH
	11	0.5 <sup>2</sup>	BK
	12	1.0 <sup>2</sup>	GNYE
	13	0.5 <sup>2</sup>	PK
	14	0.5 <sup>2</sup>	BNGY
	15	0.5 <sup>2</sup>	BNYE
	16	0.5 <sup>2</sup>	BNGN
	17	0.5 <sup>2</sup>	WH
	18	0.5 <sup>2</sup>	YE
	19	1.0 <sup>2</sup>	BN

## Mechanical values and environment

Sheath material	PUR
Conductor insulation material	PP
Conductor material	Bare Cu flexible wire super fine strands
Fire behavior	Flame retardant according to DIN EN 60332-1-2
Drag chain suitability	Yes
Ambient temperature	Dynamic -20 ... +80 °C static -20 ... +80 °C
Number of conductors	19
Type of cable	straight
Cable length	30 m
Cable diameter	Approx. 10,4 mm
Conductor cross-section	16 x 0.5 mm <sup>2</sup> / 3 x 1 mm <sup>2</sup>
Conductor identification	Color code
Sheath color	Black
Bending radius	Dynamic 10x cable diameter
	<b>Connection 1</b>
Degree of protection	IP65 / IP67 <sup>[1]</sup>
Plug lock material	CuZn, nickel-plated
Designation of plug connector	RC <sup>[2]</sup>
Insertion cycles	50
Connection	Plug connector M23

Connection type	Socket
Cable outlet	straight
Number of pins	19 [3]
Plug lock	Screw connection
Plug housing material	CuZn, nickel-plated
	<b>Connection 2</b>
Conductor end	Sheath stripped
Connection	Flying lead

### Electrical connection ratings

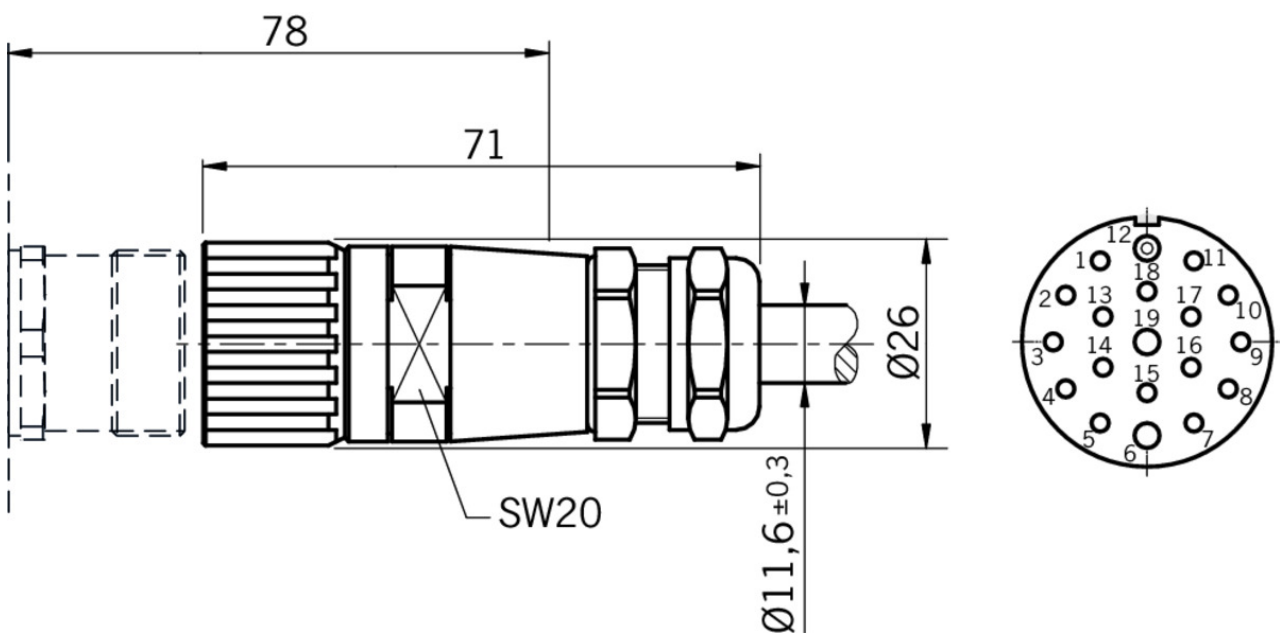
Nominal voltage	150 V
Over voltage category according to IEC EN 60664-1	II
Test voltage	1,5 kV
	<b>Connection 1</b>
Degree of contamination according to EN 60664-1	3

[1] Locked

[2] With screen bonding clamp

[3] 18+PE

### Dimension drawing



## Connection material

### ▼ Coupling socket RC18, straight, with option C1825



#### **129500** RC18EM-C1825

##### ▼ Features

- › Coupling socket straight
- › Number of pins: 19-pin with screen bonding clamp
- › Suitable for extension of plug RC18EF-1825, RC18WF-1825
- › Replacement crimp contacts available as item number 155811.

## Catalogs

### ▼ Safety Switches with Metal Housing

	Doc. no.	Version	Language	Download
Sicherheitsschalter mit Metallgehäuse	100319	10-02/14		13.9 MB
Safety Switches with Metal Housing	100369	10-02/14		13.9 MB
Interrupteurs de sécurité avec boîtier métallique	100676	10-02/14		13.8 MB
Interruptores de seguridad con carcasa metálica	104856	10-02/14		13.7 MB

### ▼ Bezpečnostní spínače s kovovým pouzdem

	Doc. no.	Version	Language	Download
Bezpečnostní spínače s kovovým pouzdem	121650	09-01/13		7.9 MB

### ▼ Multifunctional Gate Box MGB

	Doc. no.	Version	Language	Download
Multifunctional Gate Box MGB	106108	09-03/16		8.2 MB
Multifunctional Gate Box MGB	106109	09-03/16		8.2 MB
Multifunctional Gate Box MGB	109155	09-03/16		8.2 MB
Multifunctional Gate Box MGB	114433	09-03/16		8.3 MB
Multifunctional Gate Box MGB	121652	09-03/16		8.3 MB
多功能系统安全控制系统 MGB	155883	09-03/16		22.0 MB

### ▼ Transponder-coded safety switches - Interlocking devices and guard locking devices

	Doc. no.	Version	Language	Download
Transpondercodierte Sicherheitsschalter - Verriegelungseinrichtungen und Zuhaltungen	127594	01-09/16		5.0 MB
Transponder-coded safety switches - Interlocking devices and guard locking devices	127595	01-09/16		5.0 MB
Interrupteurs de sécurité à codage par transpondeur - Dispositifs de verrouillage et interverrouillages	137558	01-09/16		5.0 MB

Interruptores de seguridad con codificación por transponder - Dispositivos de enclavamiento y bloqueos

137560

01-09/16



5.0 MB

### **CAD data**

CAD data for this item on TraceParts