

7-13 Mounting Adapter Plate

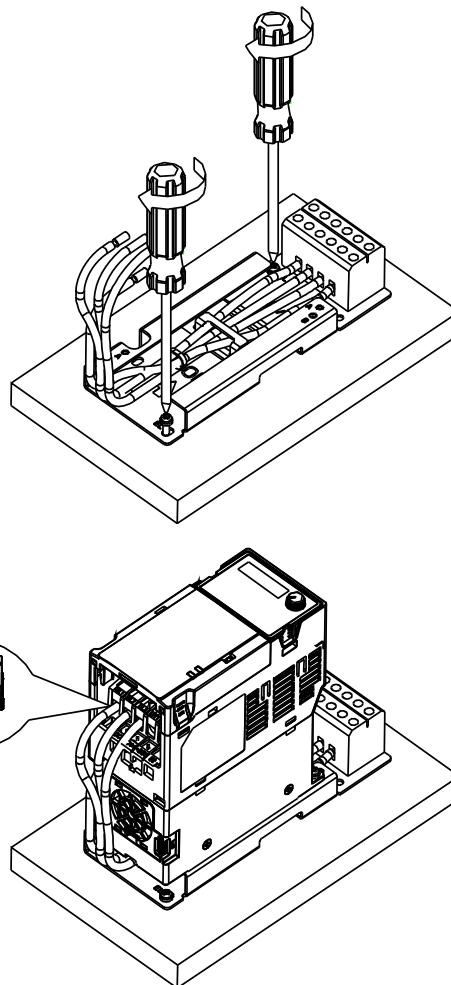
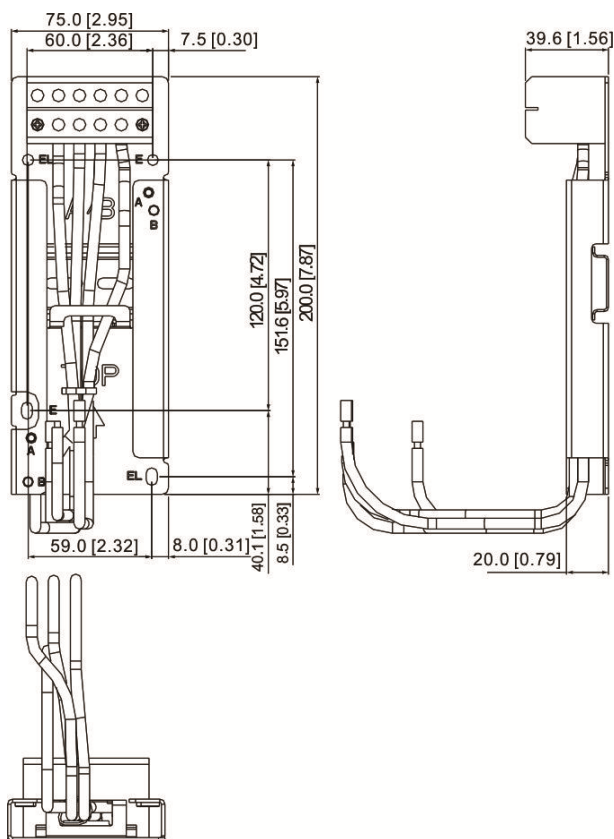
This mounting adapter accessory is to change the wiring way of MS300/MH300 series to provide flexible installation. It changes the wiring from mains input/motor output at the bottom to mains input from the top and motor output from the bottom. When you change drive from VFD-E / VFD-EL series to MS300 / MH300 series, you can use original wiring method, the correspondence table is showing as below.

Series Models	MS/MH300	VFD-E	VFD-EL
MKM-MAPB	Frame A~B	Frame A	Frame A
MKM-MAPC	Frame C	Frame B	Frame B

MKM-MAPB:

Applicable for Frame A and B

Installation



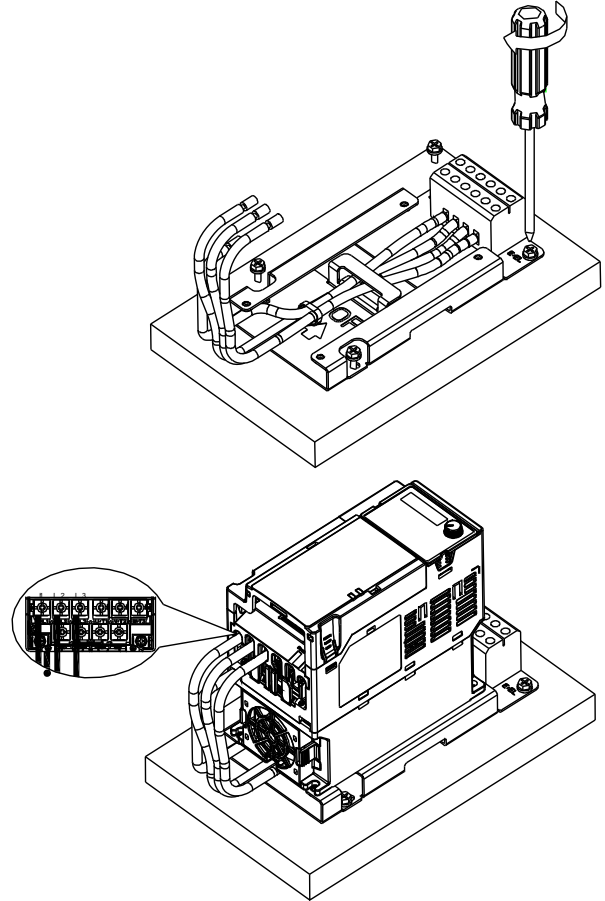
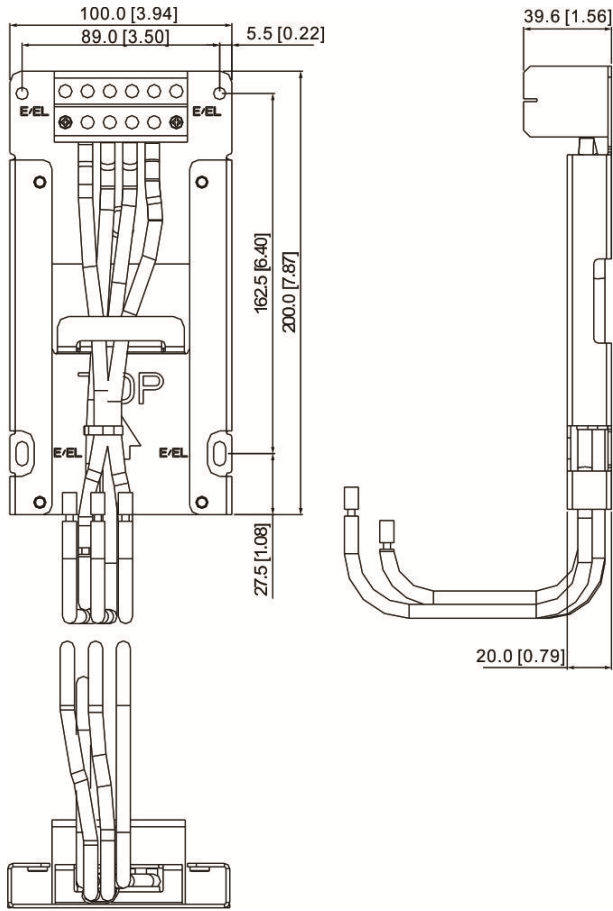
Unit: mm [inch]

Screw	Torque
M4	14~16 kg-cm / [12.2~13.9 lb-in.] / [1.37~1.56 Nm]
M5	16~20 kg-cm / [13.9~17.4 lb-in.] / [1.56~1.96 Nm]

MKM-MAPC:

Applicable for frame C

Installation



Unit: mm [inch]

Screw	Torque
M4	14~16 kg-cm / [12.2~13.9 lb-in.] / [1.37~1.56 Nm]
M5	16~20 kg-cm / [13.9~17.4 lb-in.] / [1.56~1.96 Nm]