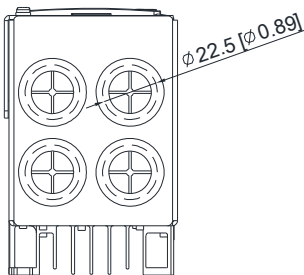
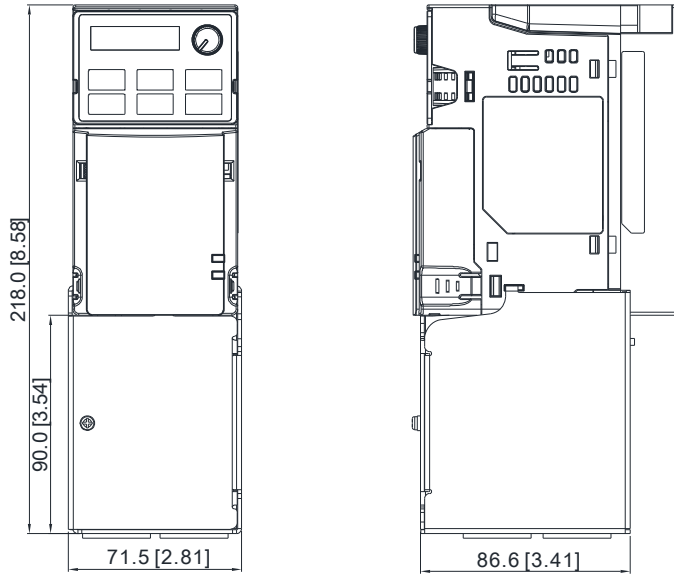


7-9 Conduit Box

Conduit box are in compliance with protection level NEMA 1 / UL Type 1

Frame A (A1~A2)

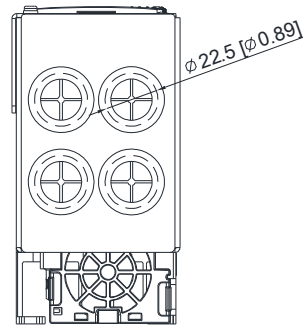
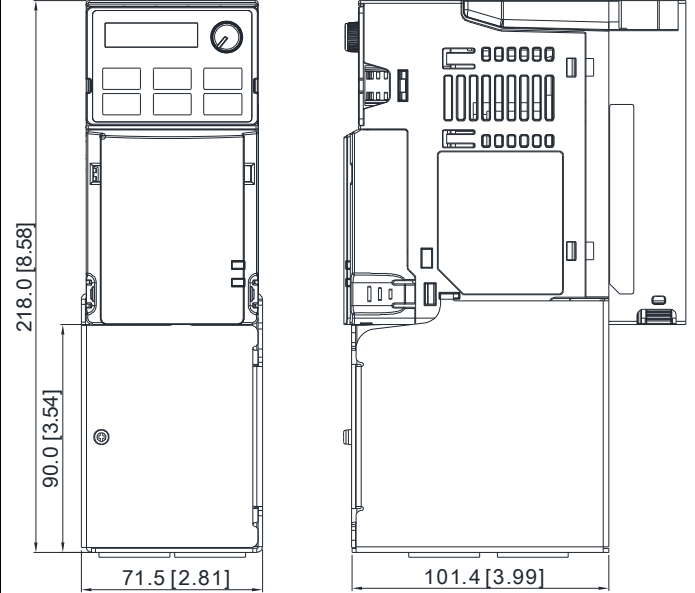
Model of conduit box: MKM-CBA0



Unit: mm [inch]

Frame A (A3~A5)

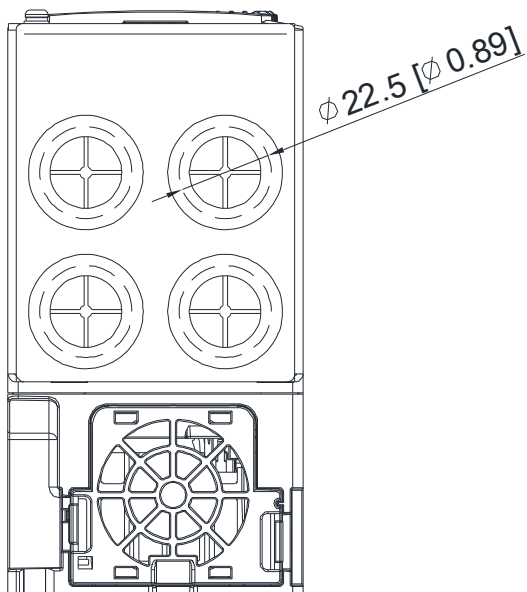
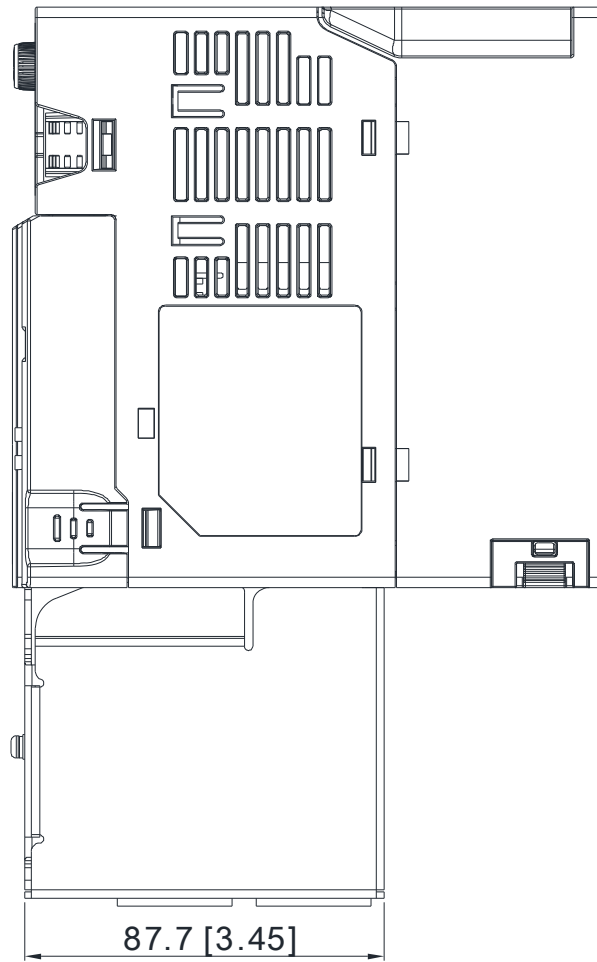
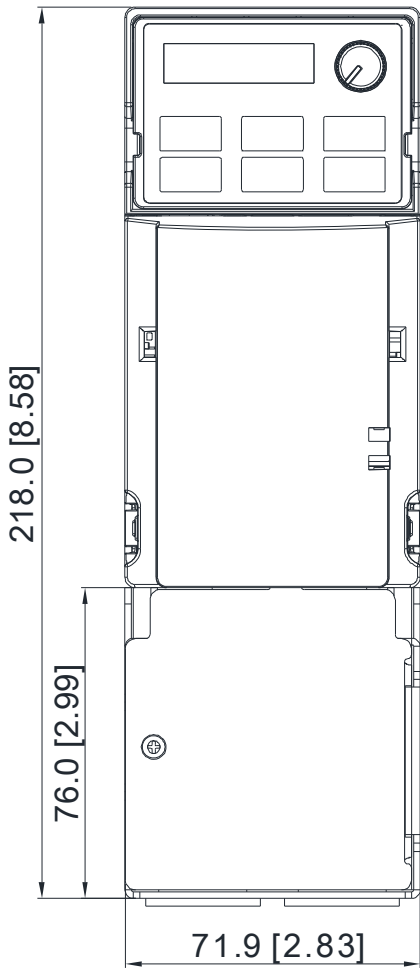
Model of conduit box: MKM-CBA



Unit: mm [inch]

Frame B

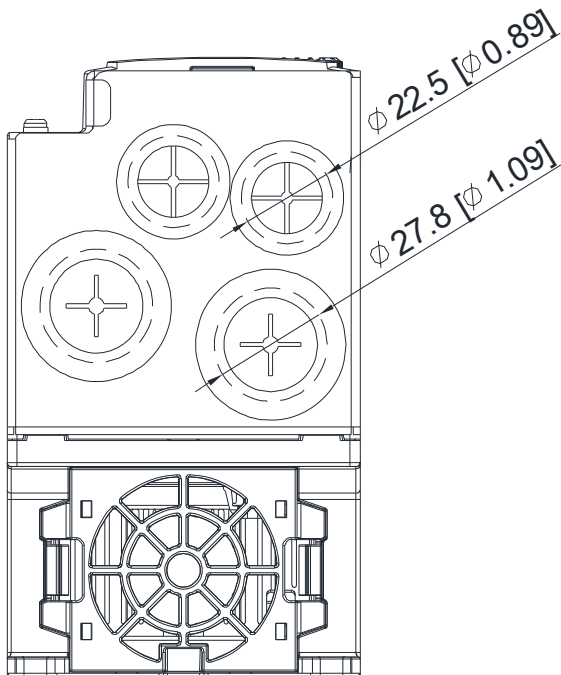
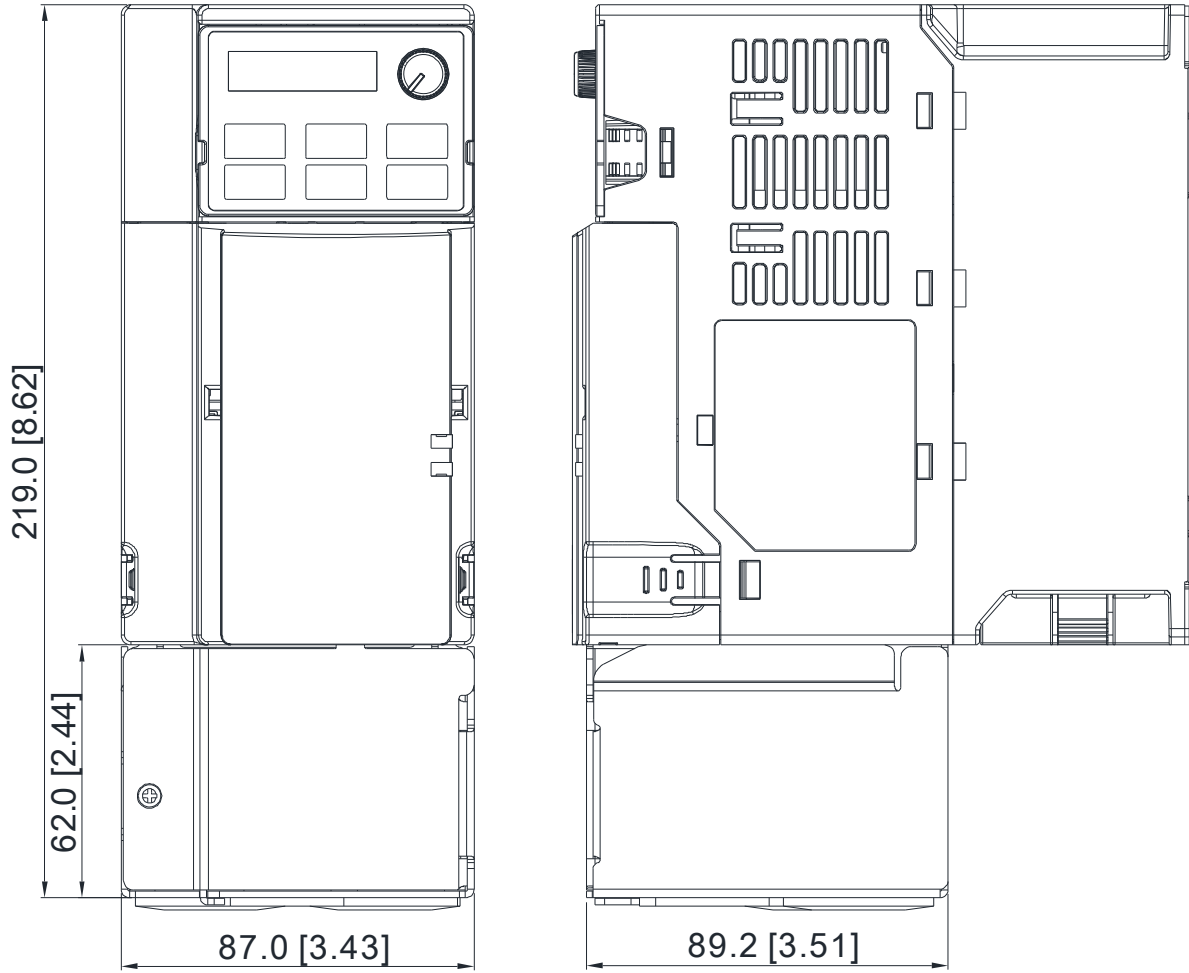
Model of conduit box: MKM-CBB



Unit: mm [inch.]

Frame C

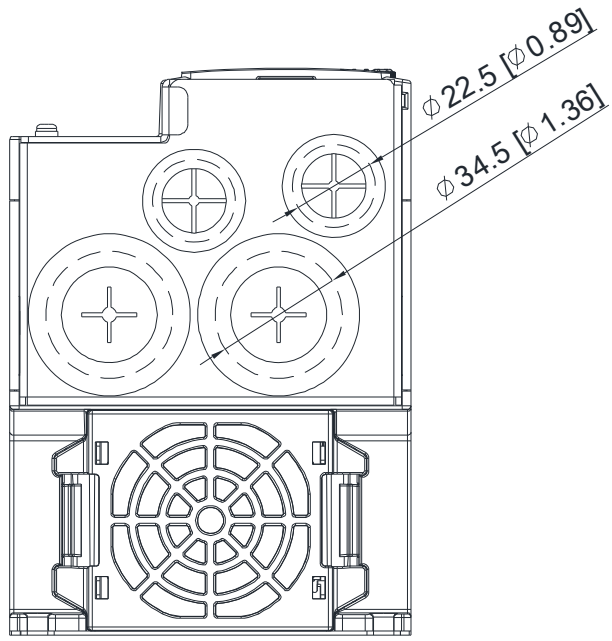
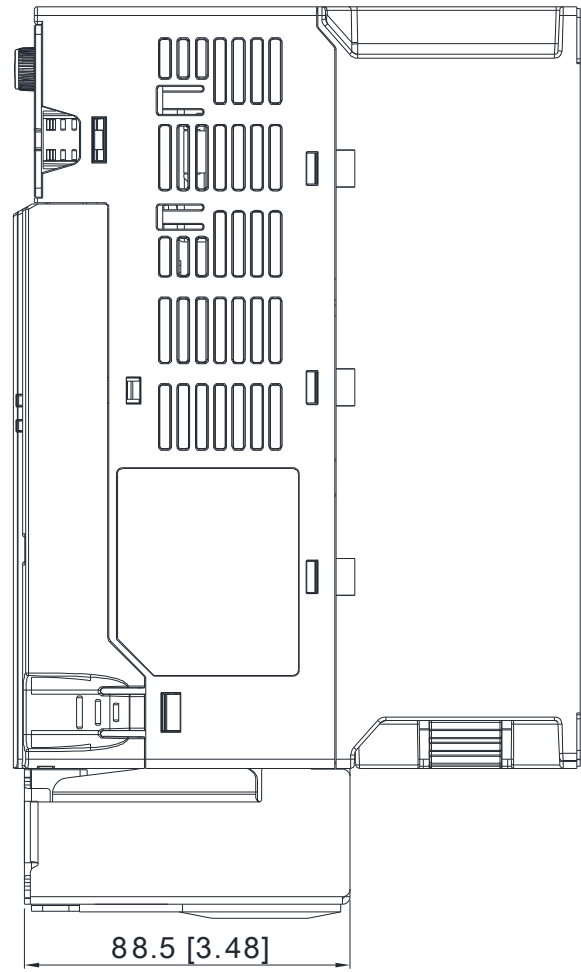
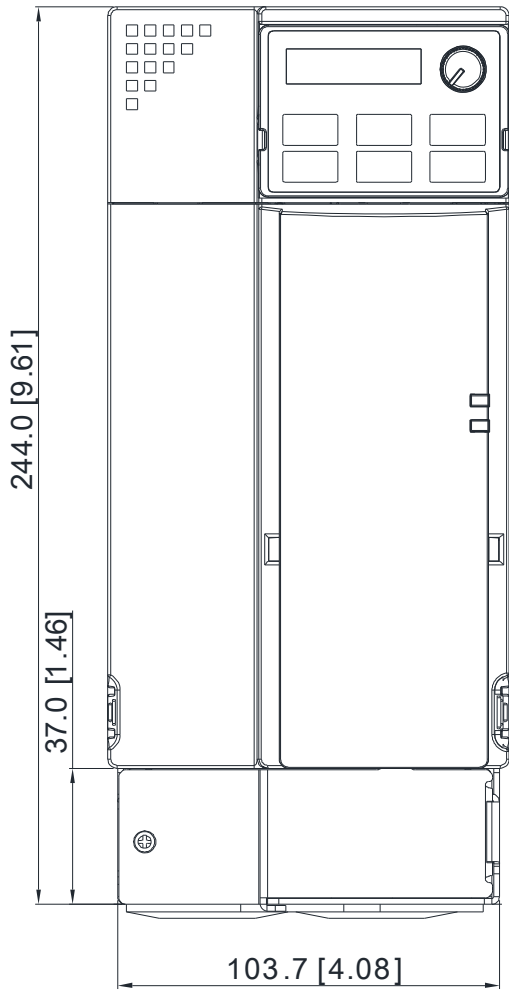
Model of conduit box: MKM-CBC



Unit: mm [inch.]

Frame D

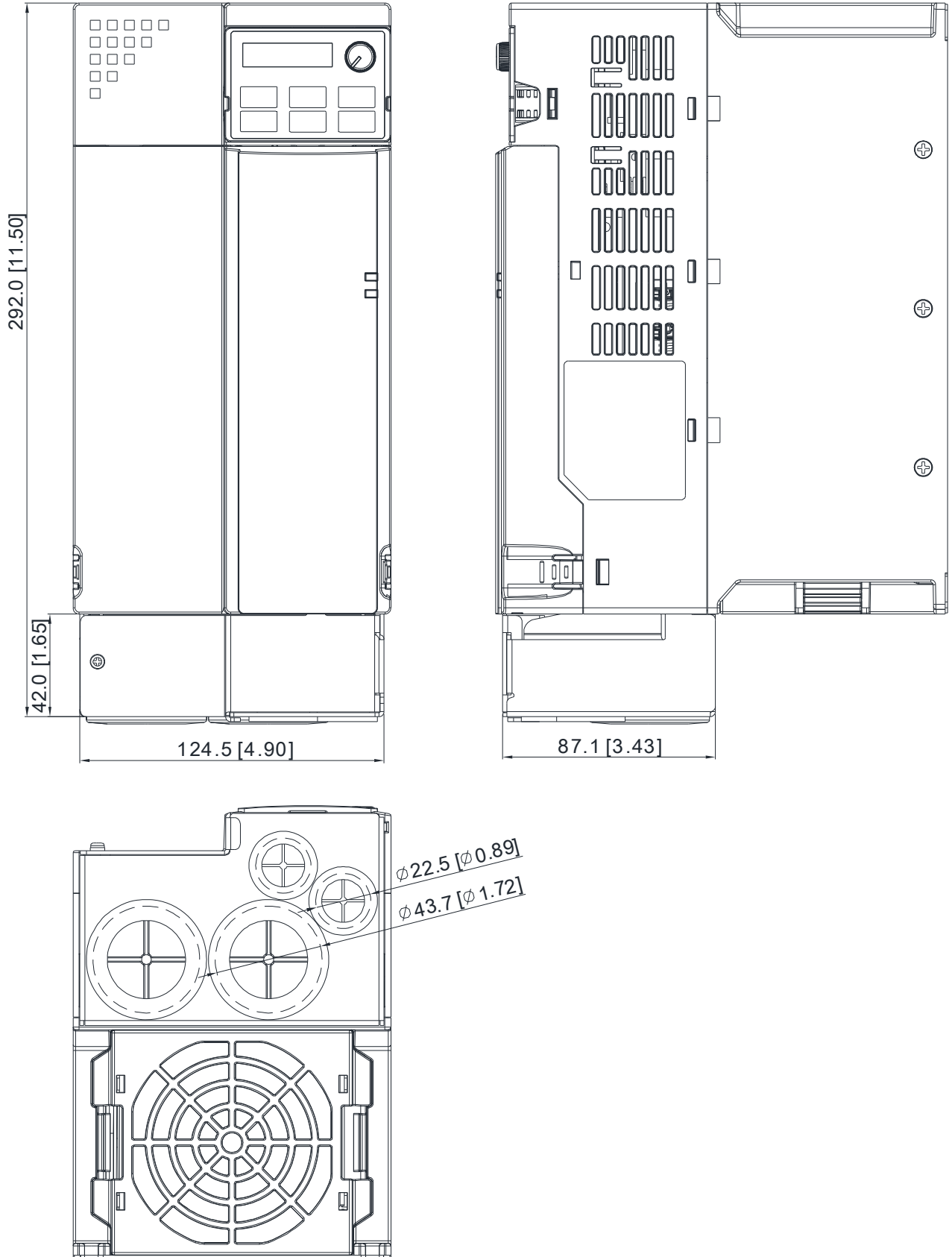
Model of conduit box: MKM-CBD



Unit: mm [inch.]

Frame E

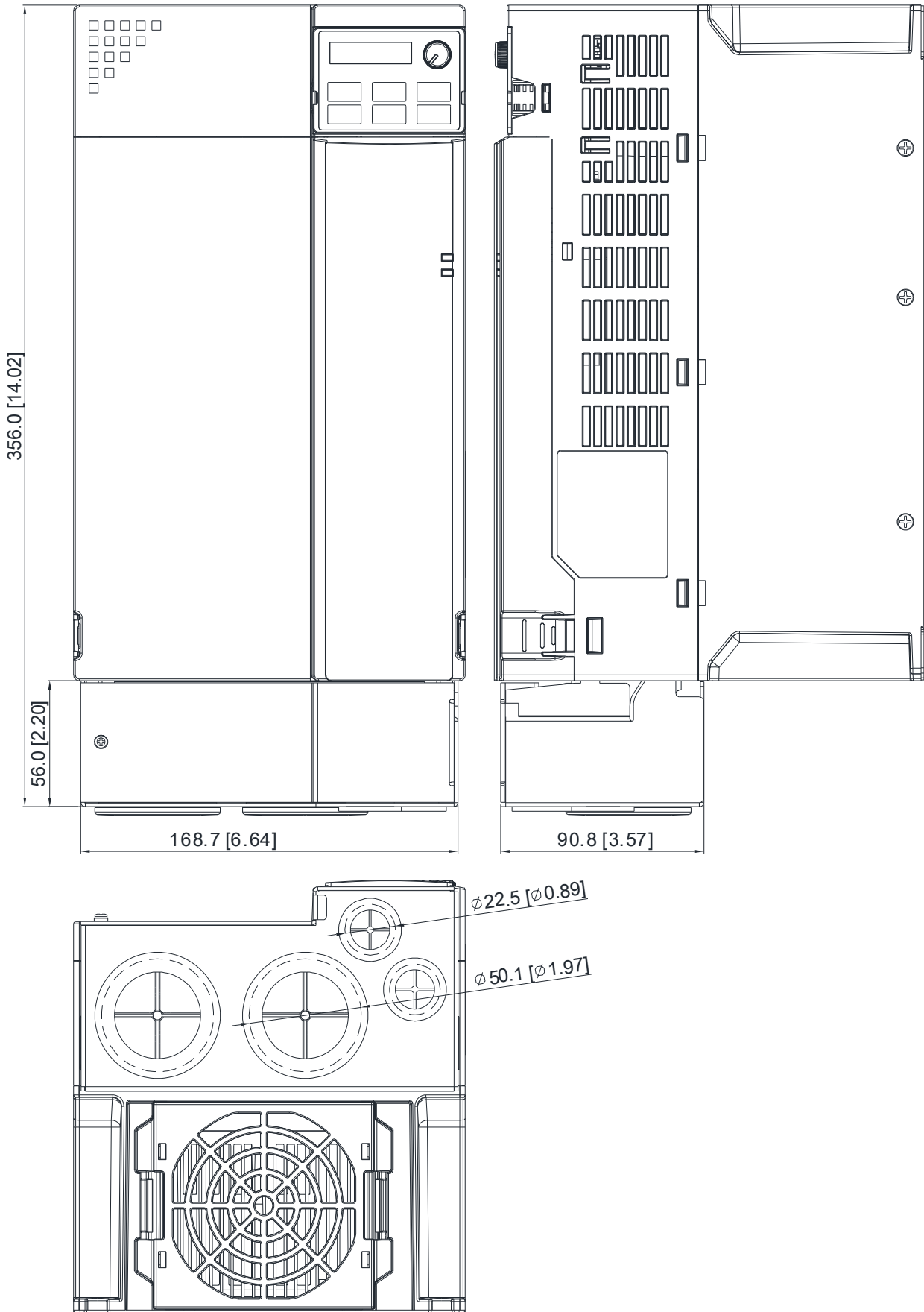
Model of conduit box: MKM-CBE



Unit: mm [inch.]

Frame F

Model of conduit box: MKM-CBF



Unit: mm [inch.]

Installation:

Recommended screw torque:

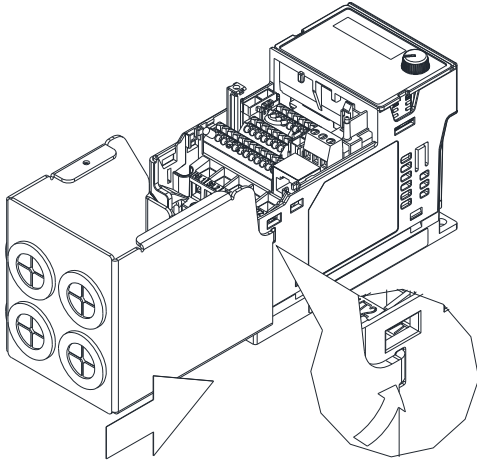
M3: 4-6 kg-cm / [3.5-5.2 lb-in.] / [0.39-0.59 Nm]

M3.5: 4-6 kg-cm / [3.5-5.2 lb-in.] / [0.39-0.59 Nm]

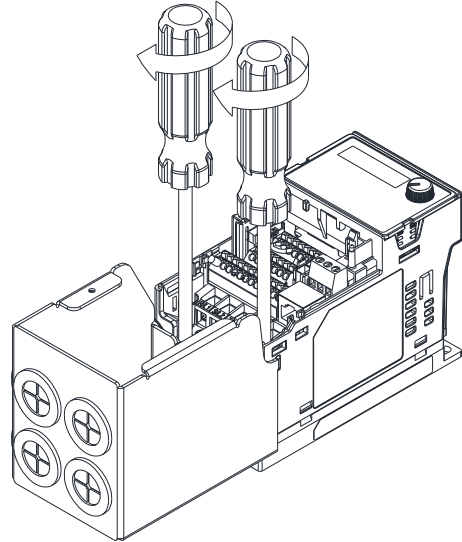
M4: 6-8 kg-cm / [5.2-6.9 lb-in.] / [0.59-0.78 Nm]

Frame A

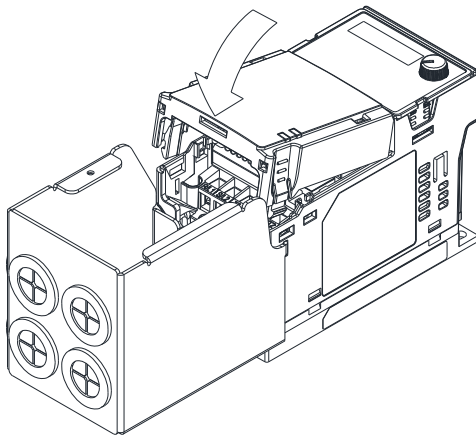
1)



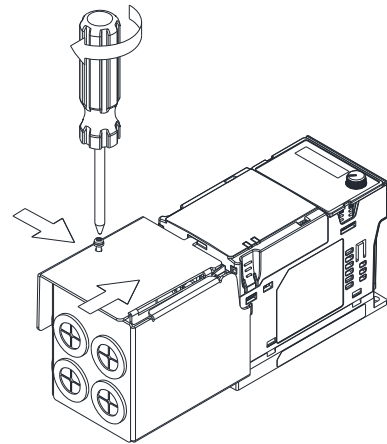
2)



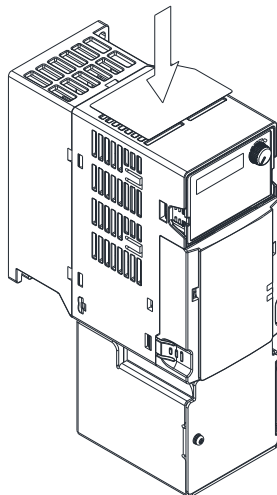
3)



4)

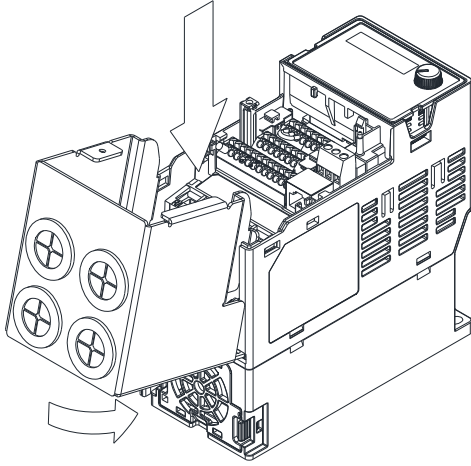


5)

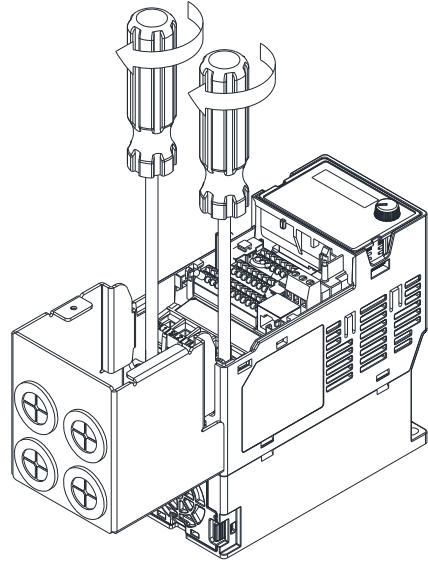


Frame B~F

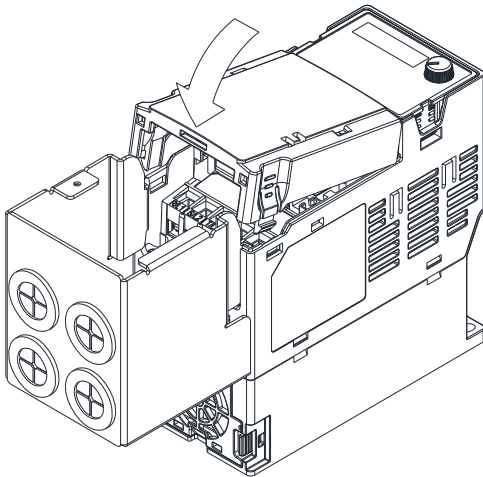
1)



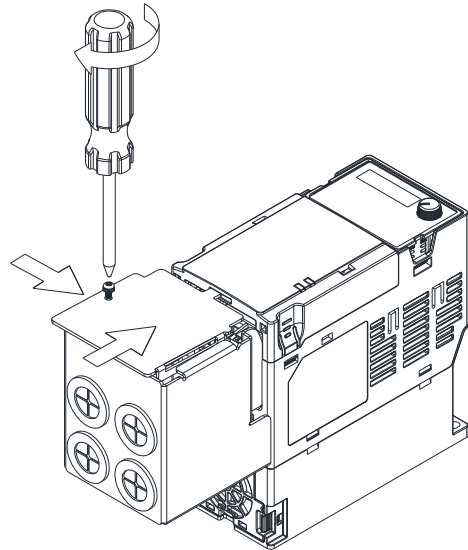
2)



3)



4)



5)

