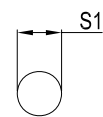
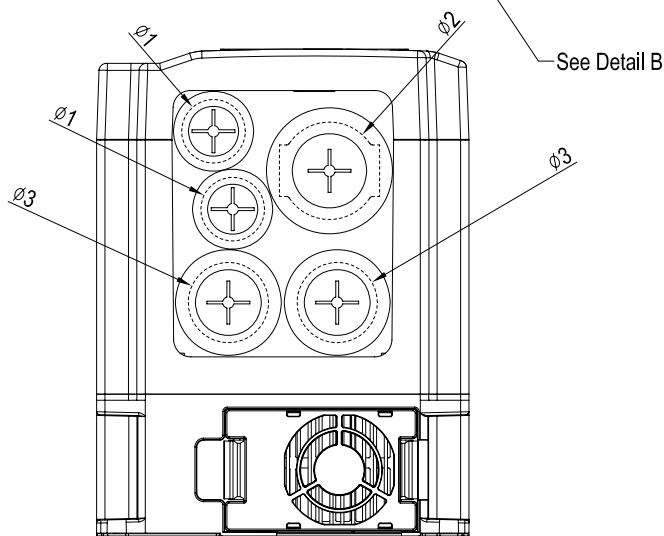
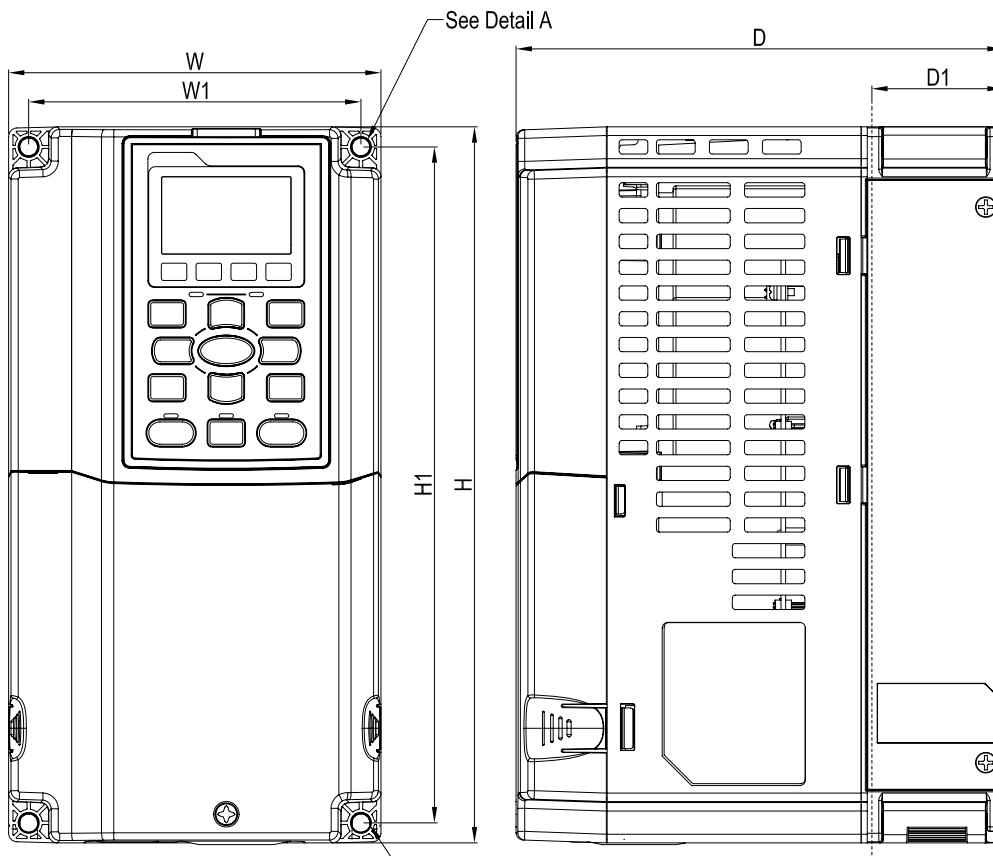
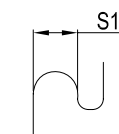


DRAWING_1



Detail A (Mounting Hole)



Detail B (Mounting Hole)

unit:mm[inch]

Frame	W	W1	H	H1	D	D1*	S1	$\phi 1$	$\phi 2$	$\phi 3$
A1	130.0[5.12]	116.0[4.57]	250.0[9.84]	236.0[9.29]	170.0[6.69]	45.8[1.80]	6.2[0.24]	22.2[0.87]	34.0[1.34]	28.0[1.10]

D1* : This dimension is for flange mounting application reference.

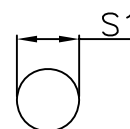
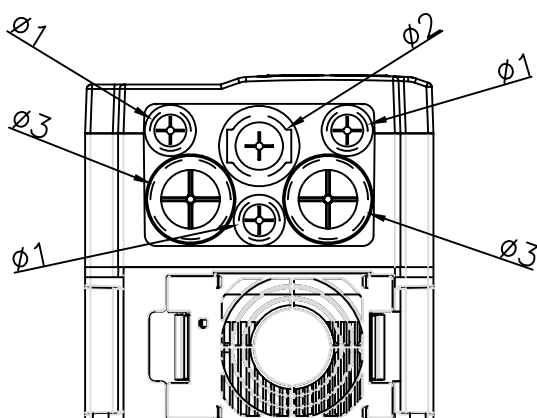
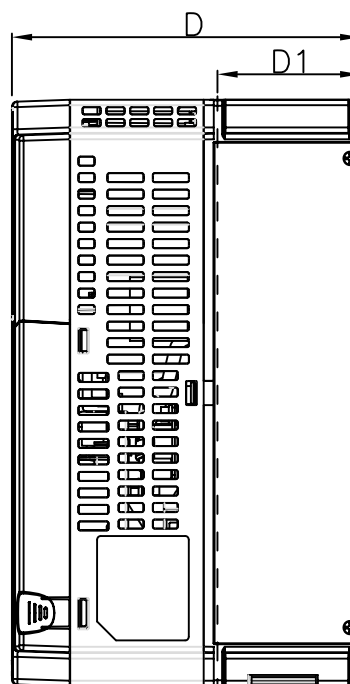
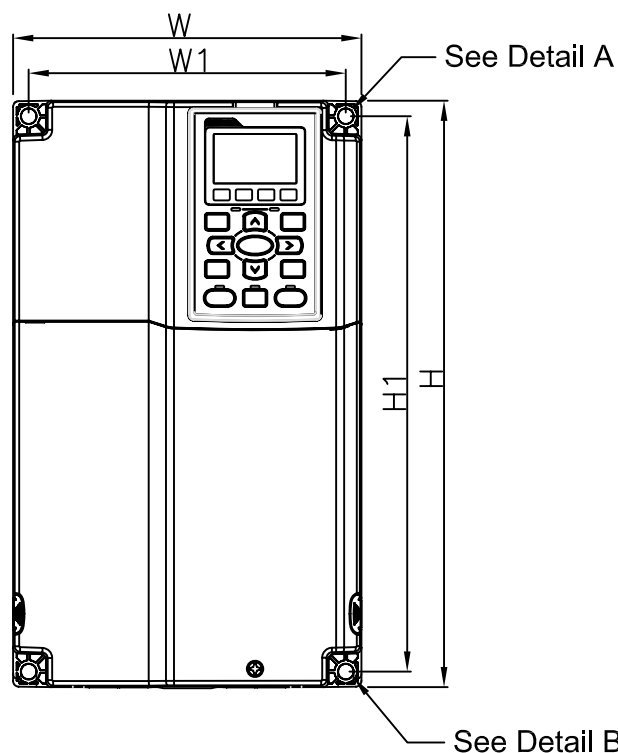


THESE DRAWINGS AND SPECIFICATIONS ARE THE PROPERTY OF DELTA ELECTRONICS, INC. AND SHALL NOT BE REPRODUCED OR USED AS THE BASIS FOR THE MANUFACTURE OR SELL OF APPARATUSES OR DEVICES WITHOUT PERMISSION.

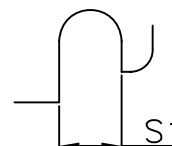
DOCUMENT NAME

VFD-C-A-PD

DRAWING_1



Detail A (Mounting Hole)



Detail B (Mounting Hole)

DIMENSIONAL

UNIT:mm[inch]

Frame	W	W1	H	H1	D	D1*	S1	φ1	φ2	φ3
B1	190.0 [7.48]	173.0 [6.81]	320.0 [12.60]	303.0 [11.93]	190.0 [7.48]	77.9 [3.07]	8.5 [0.33]	22.2 [0.87]	34.0 [1.34]	43.8 [1.72]

*D1 : This dimension is for flange mounting application reference.

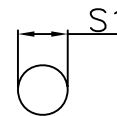
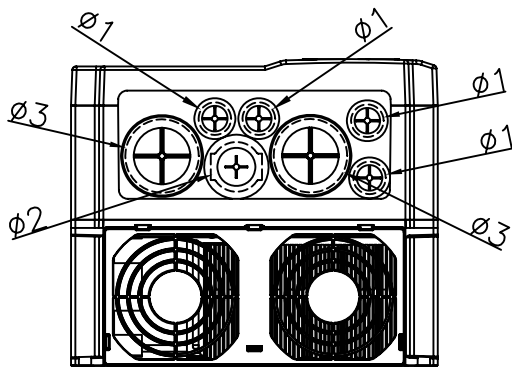
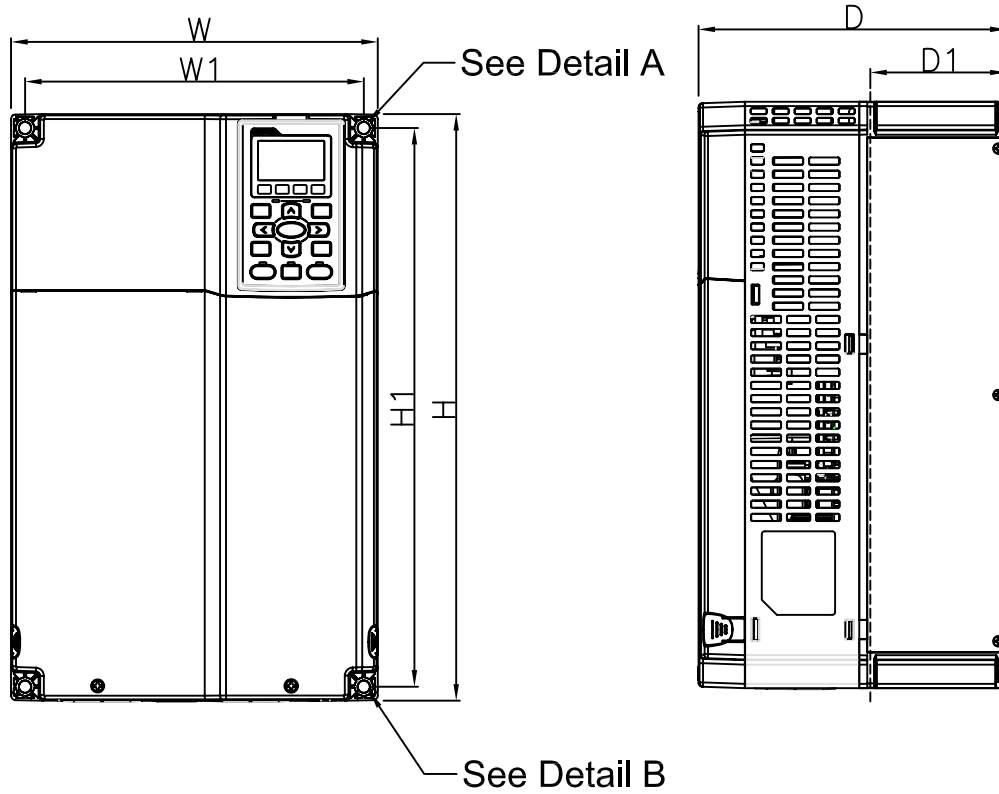


THESE DRAWINGS AND SPECIFICATIONS ARE THE PROPERTY OF DELTA ELECTRONICS, INC. AND SHALL NOT BE REPRODUCED OR USED AS THE BASIS FOR THE MANUFACTURE OR SELL OF APPARATUSES OR DEVICES WITHOUT PERMISSION.

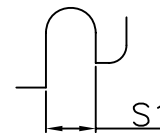
DOCUMENT NAME

VFD-C-B-PD

DRAWING_1



Detail A (Mounting Hole)



Detail B (Mounting Hole)

DIMENSIONAL

UNIT:mm[inch]

Frame	W	W1	H	H1	D	D1*	S1	$\phi 1$	$\phi 2$	$\phi 3$
C1	250.0 [9.84]	231.0 [9.09]	400.0 [15.75]	381.0 [15.00]	210.0 [8.27]	92.9 [3.66]	8.5 [0.33]	22.2 [0.87]	34.0 [1.34]	50.0 [1.97]

*D1 : This dimension is for flange mounting application reference.

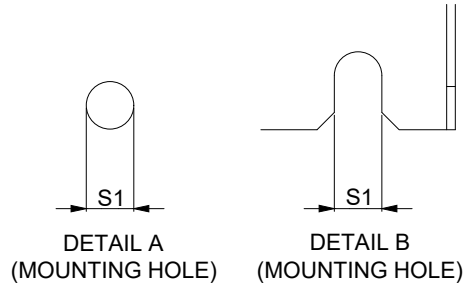
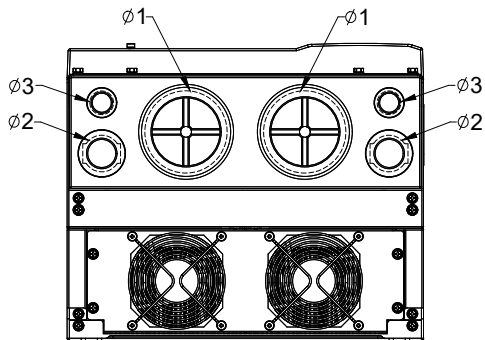
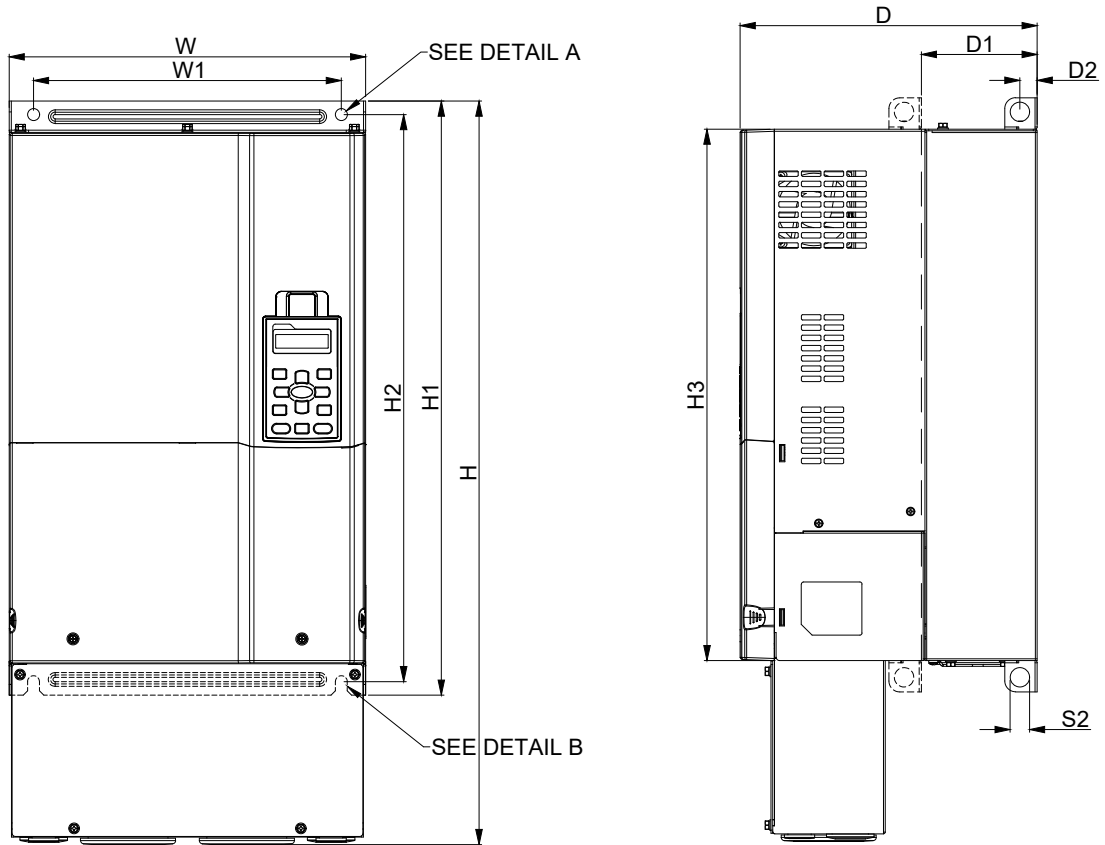


THESE DRAWINGS AND SPECIFICATIONS ARE THE PROPERTY OF DELTA ELECTRONICS, INC. AND SHALL NOT BE REPRODUCED OR USED AS THE BASIS FOR THE MANUFACTURE OR SELL OF APPARATUSES OR DEVICES WITHOUT PERMISSION.

DOCUMENT NAME

VFD-C-C-PD

DRAWING_1



DIMENSIONAL

UNIT:mm[inch]

FRAME	W	W1	H	H1	H2	H3	D	D1*	D2	S1	S2	$\phi 1$	$\phi 2$	$\phi 3$
D1	330.0[12.99]	285.0[11.22]		550.0[21.65]	525.0[20.67]	492.0[19.37]	275.0[10.83]	107.2[4.22]	16.0[0.63]	11.0[0.43]	18.0[0.71]			
D2	330.0[12.99]	285.0[11.22]	688.3[27.10]	550.0[21.65]	525.0[20.67]	492.0[19.37]	275.0[10.83]	107.2[4.22]	16.0[0.63]	11.0[0.43]	18.0[0.71]	76.2[3.00]	34.0[1.34]	22.0[0.87]

*D1: This dimension is for flange mounting application reference.



DELTA

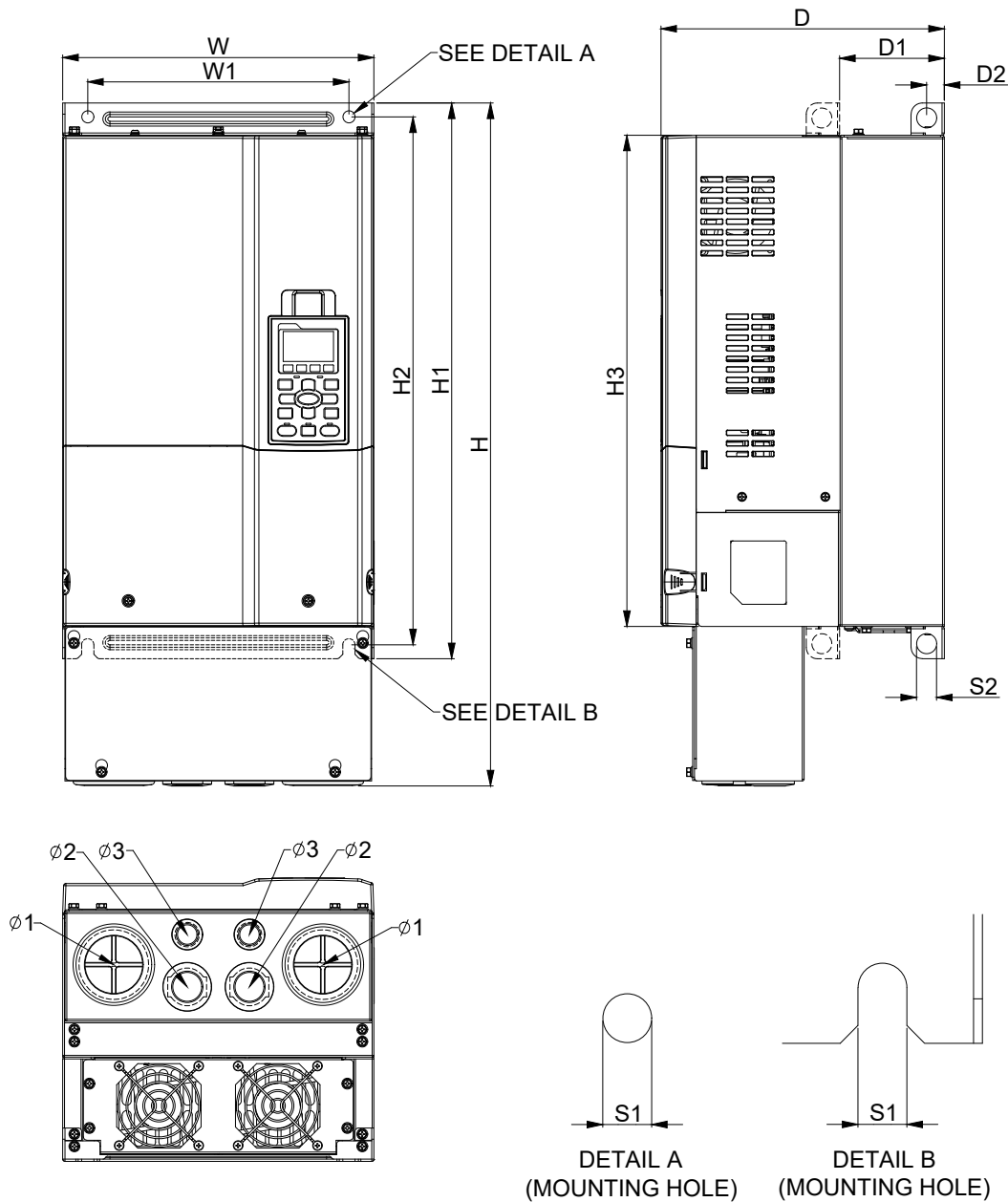
合達電子工業股份有限公司

DELTA ELECTRONICS, INC.

THESE DRAWINGS AND SPECIFICATIONS ARE THE PROPERTY OF DELTA ELECTRONICS, INC. AND SHALL NOT BE REPRODUCED OR USED AS THE BASIS FOR THE MANUFACTURE OR SELL OF APPARATUSES OR DEVICES WITHOUT PERMISSION.

DOCUMENT NAME

VFD-C-D-PD



DIMENSIONAL

UNIT:mm[inch]

FRAME	W	W1	H	H1	H2	H3	D	D1*	D2	S1	S2	Ø1	Ø2	Ø3
D0-1	280.0[11.02]	235.0[9.25]	/	500.0[19.69]	475.0[18.70]	442.0[17.40]	255.0[10.04]	94.2[3.71]	16.0[0.63]	11.0[0.43]	18.0[0.71]	/	/	/
D0-2	280.0[11.02]	235.0[9.25]	614.4[24.19]	500.0[19.69]	475.0[18.70]	442.0[17.40]	255.0[10.04]	94.2[3.71]	16.0[0.63]	11.0[0.43]	18.0[0.71]	62.7[2.47]	34.0[1.34]	22.0[0.87]

*D1: This dimension is for flange mounting application reference.



台達電子工業股份有限公司

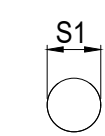
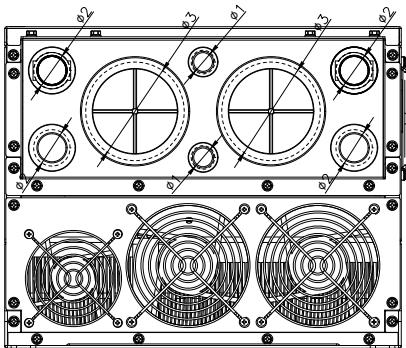
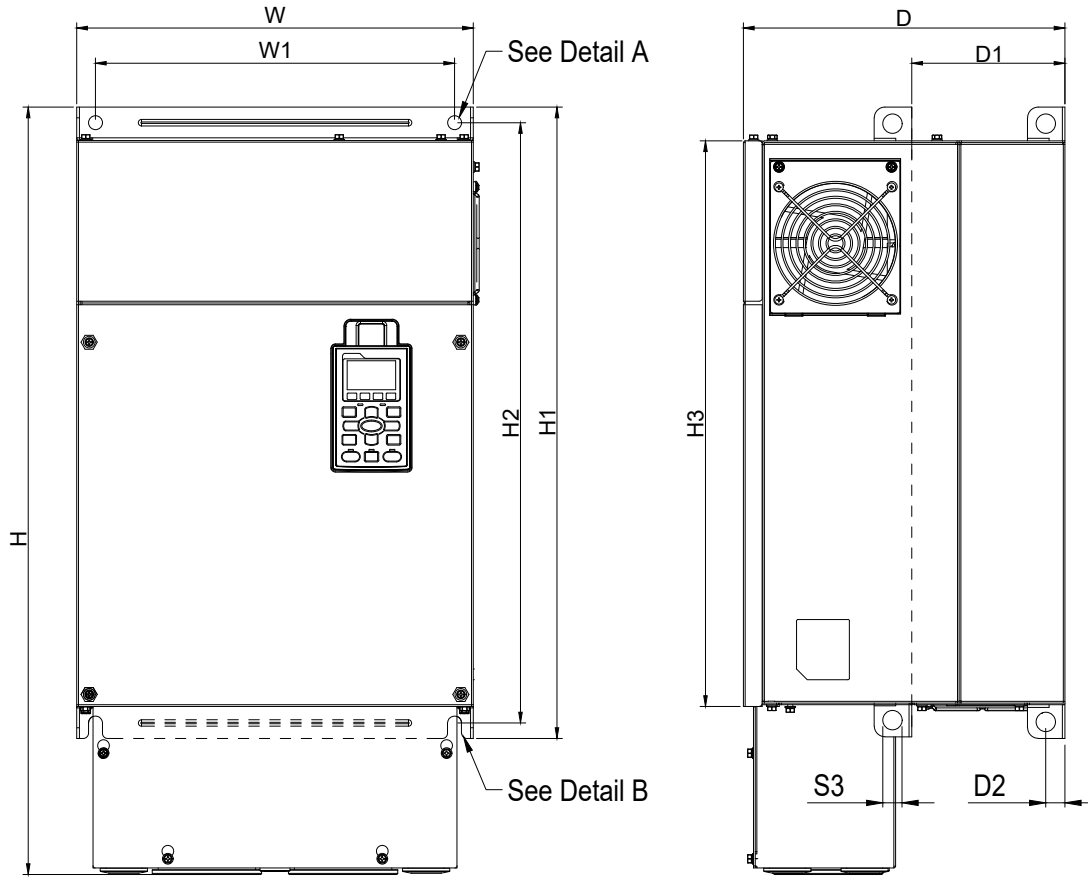
DELTA ELECTRONICS, INC.

THESE DRAWINGS AND SPECIFICATIONS ARE THE PROPERTY OF DELTA ELECTRONICS, INC. AND SHALL NOT BE REPRODUCED OR USED AS THE BASIS FOR THE MANUFACTURE OR SELL OF APPARATUSES OR DEVICES WITHOUT PERMISSION.

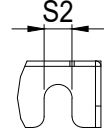
DOCUMENT NAME

VFD-C-D0-PD

DRAWING_1



Detail A (Mounting Hole)



Detail B (Mounting Hole)

DIMENSIONAL

UNIT:mm[inch]

FRAME	W	W1	H	H1	H2	H3	D	D1*	D2	S1	S2	S3	φ 1	φ 2	φ 3
E1	370.0[14.57]	335.0[13.19]		589.0[23.19]	560.0[22.05]	528.0 [20.80]	300.0[11.81]	143.0[5.63]	18.0[0.71]	13.0[0.51]	13.0[0.51]	18.0[0.71]			
E2	370.0[14.57]	335.0[13.19]	715.8[28.18]	589.0[23.19]	560.0[22.05]	528.0 [20.80]	300.0[11.81]	143.0[5.63]	18.0[0.71]	13.0[0.51]	13.0[0.51]	18.0[0.71]	22.0[0.87]	34.0 [1.34]	92.0 [3.62]

*D1: This dimension is for flange mounting application reference.



DELTA

台達電子工業股份有限公司

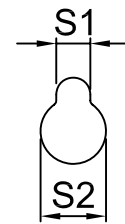
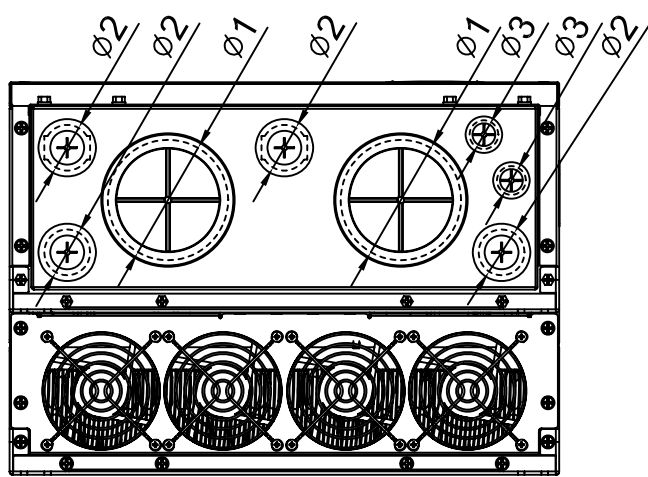
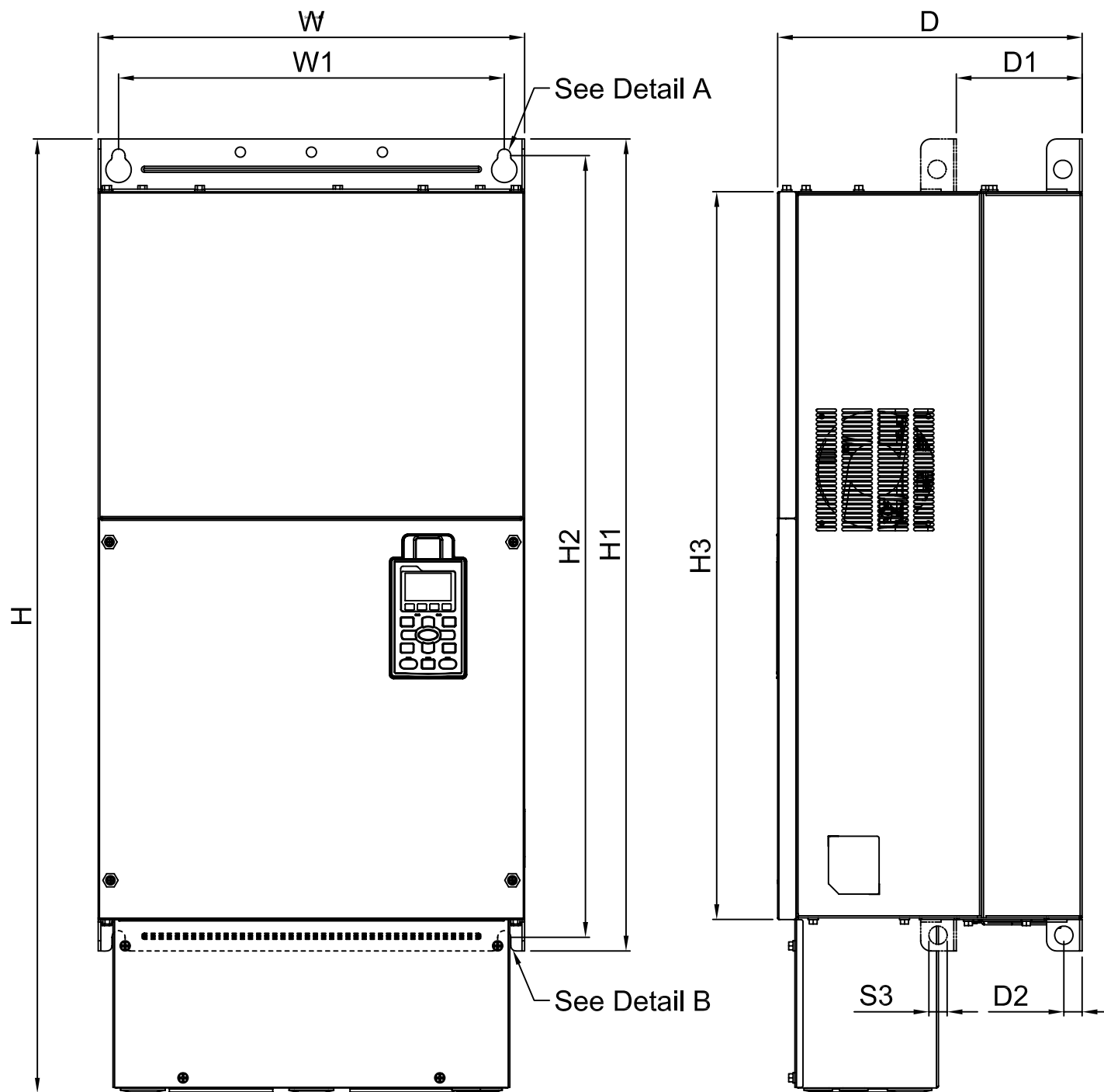
DELTA ELECTRONICS, INC.

THESE DRAWINGS AND SPECIFICATIONS ARE THE PROPERTY OF DELTA ELECTRONICS, INC. AND SHALL NOT BE REPRODUCED OR USED AS THE BASIS FOR THE MANUFACTURE OR SELL OF APPARATUSES OR DEVICES WITHOUT PERMISSION.

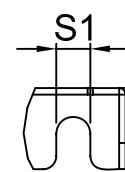
DOCUMENT NAME

VFD-C-E-PD

DRAWING_1



Detail A (Mounting Hole)



Detail B (Mounting Hole)

DIMENSIONAL

UNIT:mm[inch]

FRAME	W	W1	H	H1	H2	H3	D	D1*	D2	S1	S2	S3	$\phi 1$	$\phi 2$	$\phi 3$
F1	420.0[16.54]	380.0[14.96]	/	800.0[31.50]	770.0[30.32]	717.0[28.23]	300.0[11.81]	124.0[4.88]	18.0[0.71]	13.0[0.51]	25.0[0.98]	18.0[0.71]	/	/	/
F2	420.0[16.54]	380.0[14.96]	940.0[37.00]	800.0[31.50]	770.0[30.32]	717.0[28.23]	300.0[11.81]	124.0[4.88]	18.0[0.71]	13.0[0.51]	25.0[0.98]	18.0[0.71]	92.0[3.62]	35.0[1.38]	22.0[0.87]

*D1: This dimension is for flange mounting application reference.



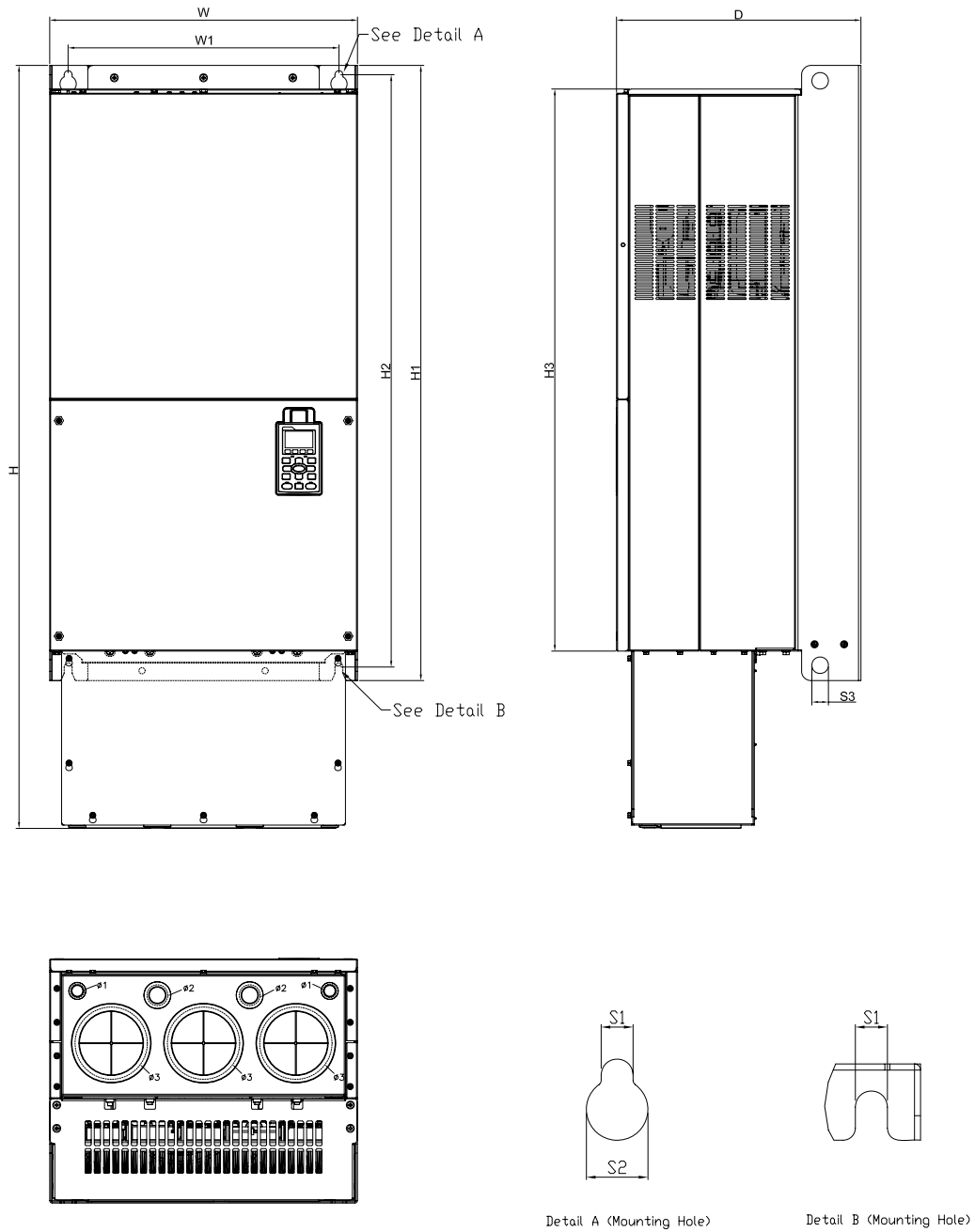
THESE DRAWINGS AND SPECIFICATIONS ARE THE PROPERTY OF DELTA ELECTRONICS, INC. AND SHALL NOT BE REPRODUCED OR USED AS THE BASIS FOR THE MANUFACTURE OR SELL OF APPARATUSES OR DEVICES WITHOUT PERMISSION.

FRAME	W	W1	H	H1	D	D1	$\phi 1$	$\phi 2$
A1								
A2								
A3								
A4								

DOCUMENT NAME

VFD-C-F-PD

DRAWING_1



DIMENSIONAL

UNIT:mm[inch]

Frame size	W	W1	H	H1	H2	H3	D	S1	S2	S3	$\phi 1$	$\phi 2$	$\phi 3$
G1	500.0[19.69]	440.0[217.32]	/	1000.0[39.37]	963.0[37.91]	913.6[35.97]	397[15.63]	13.0[0.51]	26.5[1.04]	27.0[1.06]	/	/	/
G2	500.0[19.69]	440.0[217.32]	1240.2[48.83]	1000.0[39.37]	963.0[37.91]	913.6[35.97]	397[15.63]	13.0[0.51]	26.5[1.04]	27.0[1.06]	22.0[0.87]	34.0[1.34]	117.5.0[4.63]

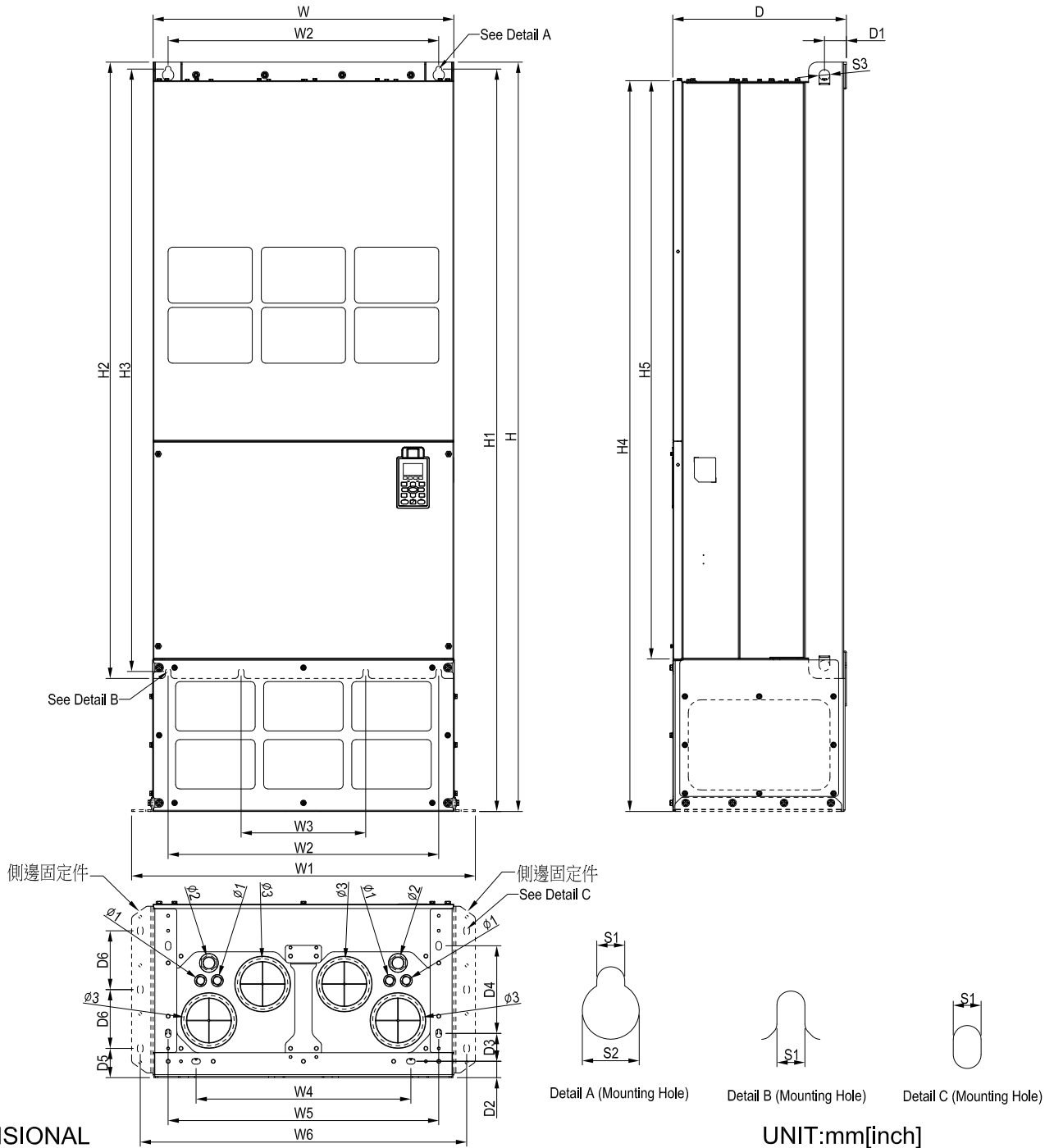


THESE DRAWINGS AND SPECIFICATIONS ARE THE PROPERTY OF DELTA ELECTRONICS, INC. AND SHALL NOT BE REPRODUCED OR USED AS THE BASIS FOR THE MANUFACTURE OR SELL OF APPARATUSES OR DEVICES WITHOUT PERMISSION.

DOCUMENT NAME

VFD-C-G-PD

DRAWING_1



DIMENSIONAL

UNIT:mm[inch]

Frame size	W	W1	W2	W3	W4	W5	W6	H	H1	H2	H3	H4	H5
H1	700.0[27.56]		630.0[24.80]	290.0[11.42]						1435.0[56.50]	1403.0[55.24]		1346.6[53.02]
H2	700.0[27.56]	800.0[31.50]			500.0[19.69]	630.0[24.80]	760.0[29.92]	1745.0[68.70]	1729.0[68.07]			1701.6[66.99]	1346.6[53.02]
H3	700.0[27.56]	800.0[31.50]			500.0[19.69]	630.0[24.80]	760.0[29.92]	1745.0[68.70]	1729.0[68.07]			1701.6[66.99]	1346.6[53.02]

Frame size	D	D1	D2	D3	D4	D5	D6	S1	S2	S3	φ1	φ2	φ3
H1	398.0[15.67]	45.0[1.77]						13.0[0.51]	26.5[1.04]	25.0[0.98]			
H2	404.0[15.91]	51.0[2.01]	38.0[1.50]	65.0[2.56]	204.0[8.03]	68.0[2.68]	137.0[5.39]	13.0[0.51]	26.5[1.04]	25.0[0.98]			
H3	404.0[15.91]	51.0[2.01]	38.0[1.50]	65.0[2.56]	204.0[8.03]	68.0[2.68]	137.0[5.39]	13.0[0.51]	26.5[1.04]	25.0[0.98]	22.0[0.87]	34.0[1.34]	117.5.0[4.63]

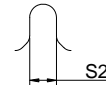
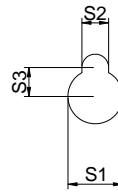
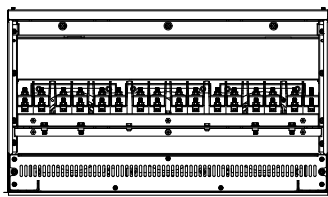
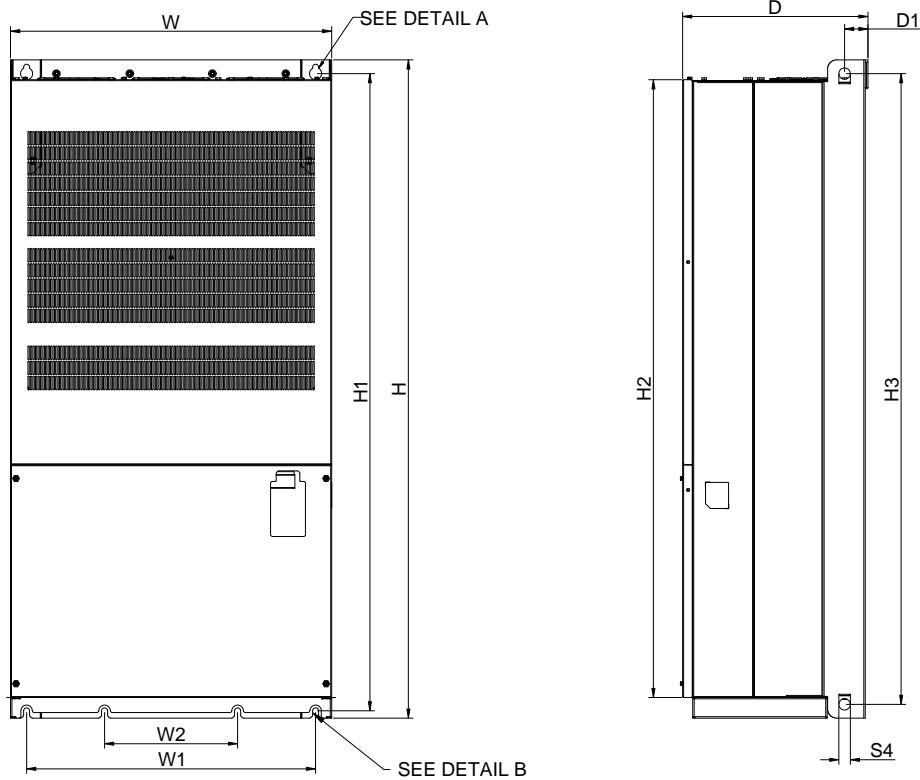


THESE DRAWINGS AND SPECIFICATIONS ARE THE PROPERTY OF DELTA ELECTRONICS, INC. AND SHALL NOT BE REPRODUCED OR USED AS THE BASIS FOR THE MANUFACTURE OR SELL OF APPARATUSES OR DEVICES WITHOUT PERMISSION.

DOCUMENT NAME

VFD-C-H-PD

DRAWING_1



DETAIL A
(MOUNTING HOLE)

DETAIL B
(MOUNTING HOLE)

DIMENSIONAL

UNIT:mm[inch]

FRAME	W	W1	W2	H	H1	H2	H3	D	D1	S1	S2	S3	S4
H1	700.0 [27.56]	630.0 [24.80]	290.0 [11.42]	1435.0 [56.50]	1389.0 [54.68]	1346.4 [53.01]	1376.0 [54.17]	404.0 [15.91]	51.0 [2.01]	26.5 [1.04]	13.0 [0.51]	14.0 [0.55]	25.0 [0.98]



台達電子工業股份有限公司

DELTA ELECTRONICS, INC.

THESE DRAWINGS AND SPECIFICATIONS ARE THE PROPERTY OF DELTA ELECTRONICS, INC. AND SHALL NOT BE REPRODUCED OR USED AS THE BASIS FOR THE MANUFACTURE OR SELL OF APPARATUSES OR DEVICES WITHOUT PERMISSION.

DOCUMENT NAME

VFD-C-Frame H-PD

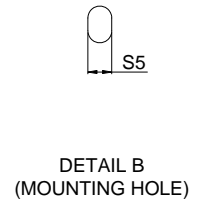
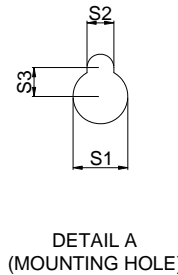
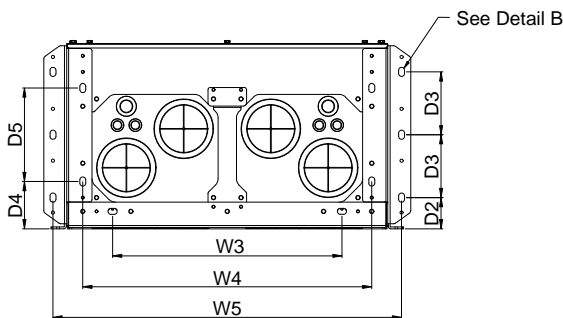
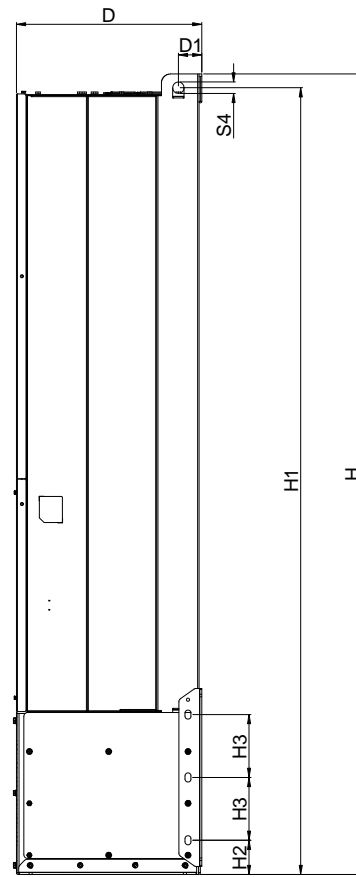
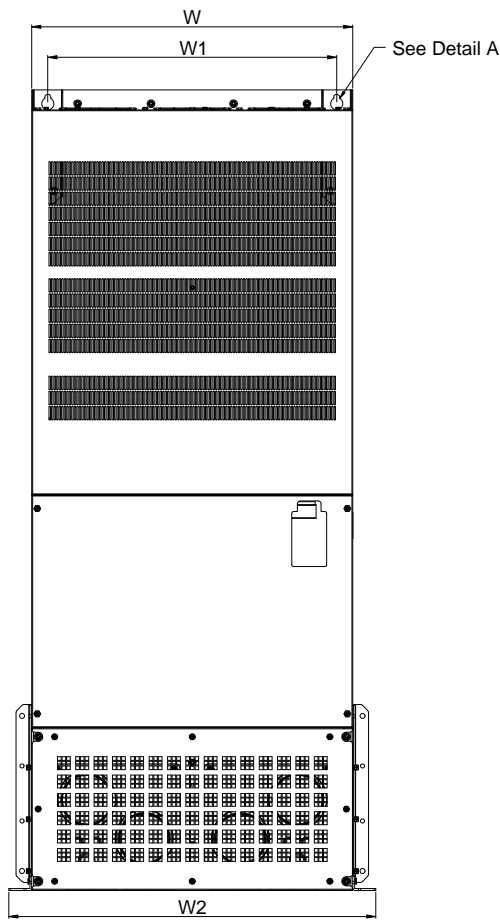
DRAWING_2

MODEL:
FRAME_H1

VFD4000C63B-00;VFD4000CP63A-00;
VFD4500C63B-00;VFD4500CP63A-00;
VFD5600C63B-00;VFD5600CP63A-00;
VFD6300C63B-00;VFD6300CP63A-00;

04		
03		
02		
01		
00	FIRST ISSUE	2017/11/2
REV.	DESCRIPTION	DATE
DRAWN	LEBRON.LIN	DESIGN LOWHEY.HU

DRAWING_1



DIMENSIONAL

UNIT:mm[inch]

FRAME	W	W1	W2	W3	W4	W5	H	H1	H2	H3
H2	700.0 [27.56]	630.0 [24.80]	800.0 [31.50]	500.0 [19.69]	630.0 [24.80]	760.0 [29.92]	1745.0 [68.70]	1715.0 [67.52]	42.5 [1.67]	109.0 [4.29]

FRAME	D	D1	D2	D3	D4	D5	S1	S2	S3	S4	S5
H2	404.0 [15.91]	51.0 [2.01]	68.0 [2.68]	137.0 [5.39]	103.0 [4.06]	204.0 [8.03]	26.5 [1.04]	13.0 [0.51]	14.0 [0.55]	25.0 [0.98]	13.0 [0.51]



DELTA

台達電子工業股份有限公司

DELTA ELECTRONICS, INC.

THESE DRAWINGS AND SPECIFICATIONS ARE THE PROPERTY OF DELTA ELECTRONICS, INC. AND SHALL NOT BE REPRODUCED OR USED AS THE BASIS FOR THE MANUFACTURE OR SELL OF APPARATUSES OR DEVICES WITHOUT PERMISSION.

DOCUMENT NAME

VFD-C-Frame H-PD

DRAWING_2

MODEL:
FRAME_H2

VFD4000C63B-21;VFD4000CP63A-21;
VFD4500C63B-21;VFD4500CP63A-21;
VFD5600C63B-21;VFD5600CP63A-21;
VFD6300C63B-21;VFD6300CP63A-21;

04		
03		
02		
01		
00	FIRST ISSUE	2017/11/2
REV.	DESCRIPTION	DATE
DRAWN	LEBRON.LIN	DESIGN LOWHEY.HU