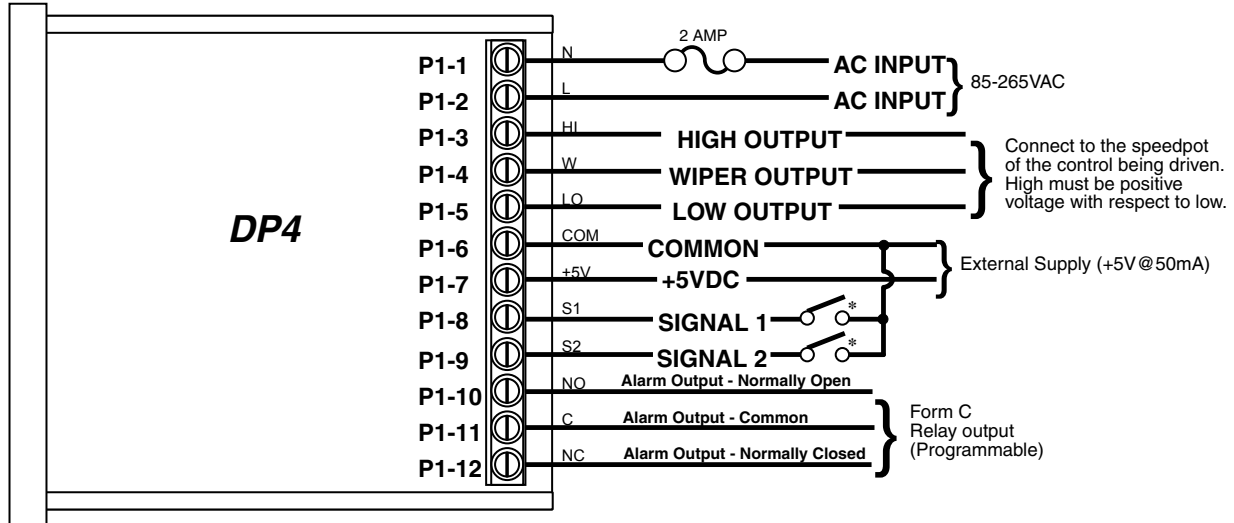


DP4 Rev.A Hook-Up Diagram



* P1-8 & P1-9 signal inputs may be programmed for a number of functions.