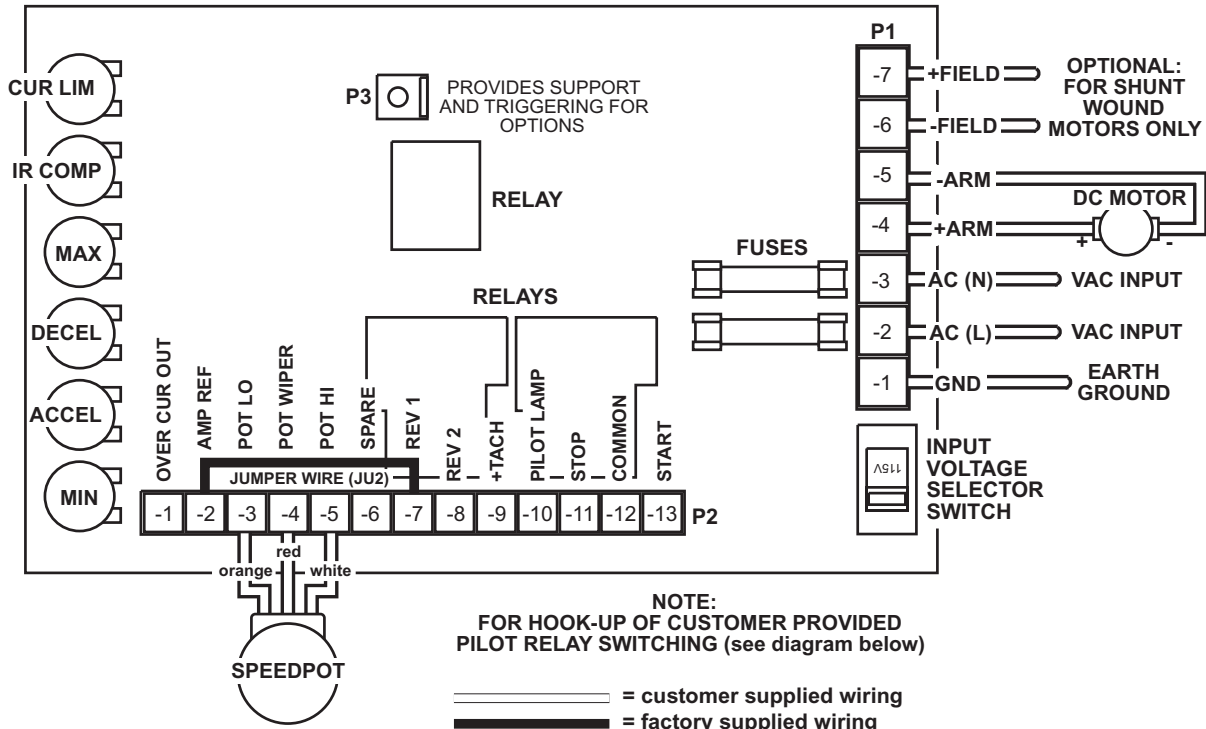
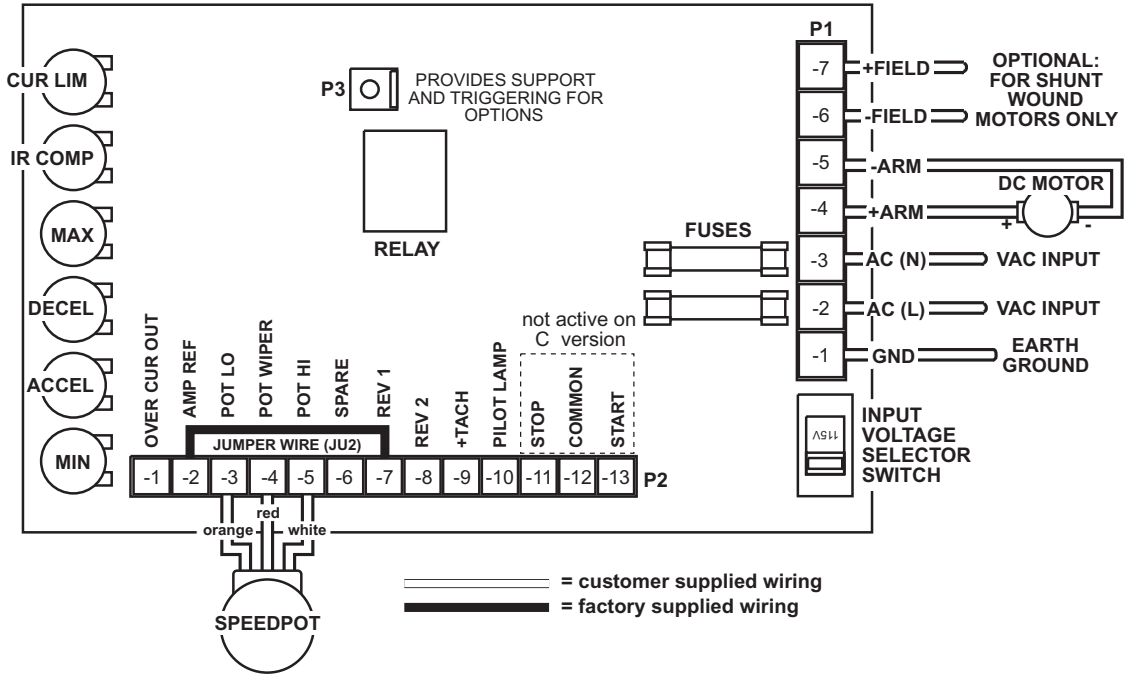


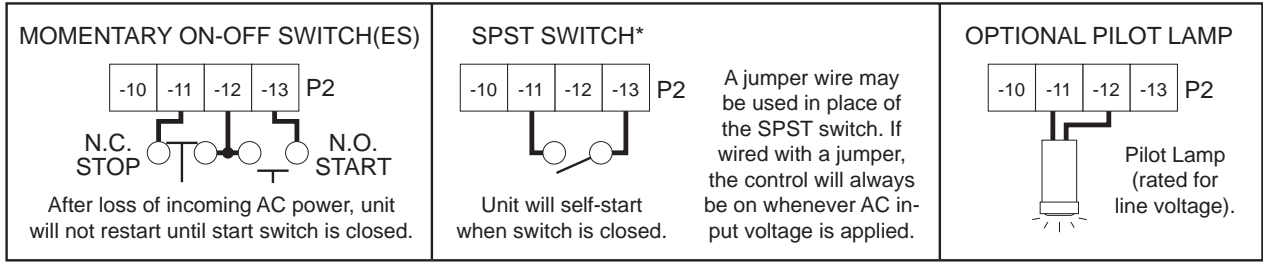
530B BASIC HOOK-UP DIAGRAMS WITHOUT OPTIONS

(If options are included on your control, see the option section of the manual).



PILOT RELAY SWITCHING

(Customer supplied wiring for the "530BRC" version)



Model 530BRE ("RE Version")

