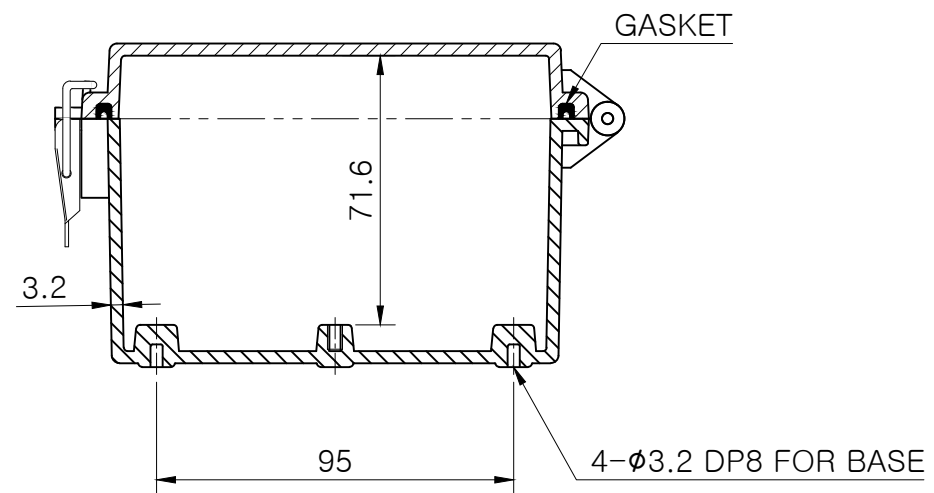
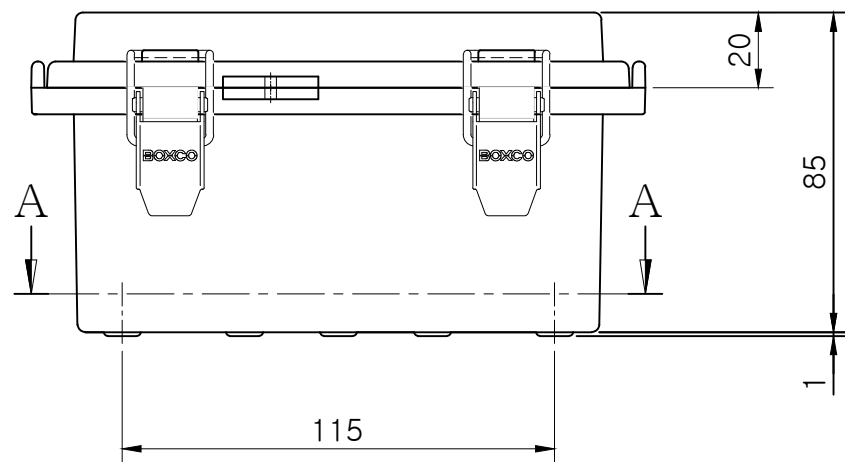


SECTION A-A



SECTION B-B

Note.

MODEL (모델)	BC-□□P-131508			D R (재도)	JUNG, Y.J.	16.03.23	UNIT (단위)	mm
ASSY (완성 규격)	135 * 155 * 85			C K (검도)	PARK, Y.J.	16.03.23	SCALE (척도)	1:2
DWG NO (도번)	P131508-03	MATERIAL (재질)		A P (승인)	KIM, D.S.	16.03.24	REV. (개정)	0

BOXCO[®]