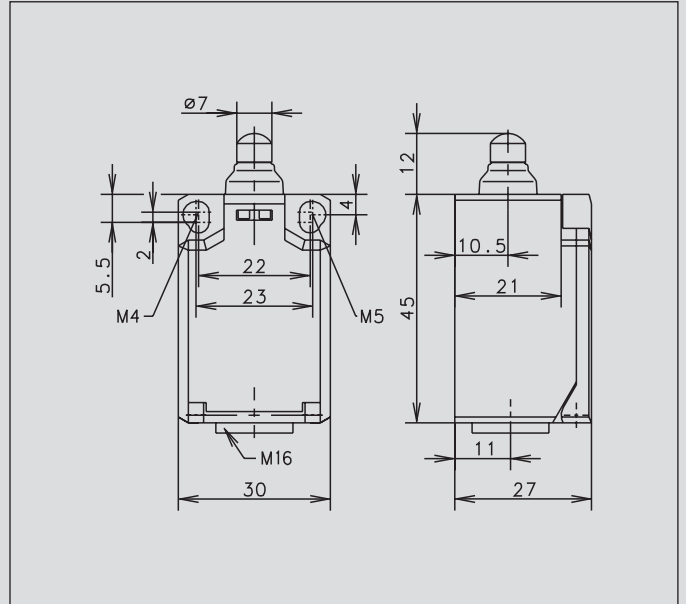


Ti2



Recommended use

Ideal for safety applications and position monitoring in confined spaces with high protection class IP 65.

Product advantages

- Compact IP 65 switch for safety applications
- Optimised size while retaining tried-and-tested connection system
- Two-channel safety monitoring possible
- With captive snap-on cover
- 2 mm contact opening width of slow-action system conforming to EN 81-1 for lift construction
- Mall hysteresis in snap action system
- Actuator can be repositioned by 4 x 90°

Options

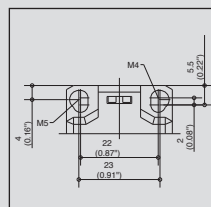
- Available with M12 connector
- AS interface variants available
- Preassembled with customer-specific cables and connectors on request

Design layout

- Slow-action and snap-action contacts
- Versions: 1 NC / 1NO, 2 NC, 2 NO
- All NC contacts with \ominus in the circuit diagram are positively opening contacts
- Type: Zb (galvanically isolated change-over contact)

Mounting

- Mounting dimensions conforming to DIN EN 50047
- 2 slots for adjustment with M4 screws (distance between centres 22 mm)



- Fixed positioning for safety applications with two M5 screws (distance between centres 23 mm)

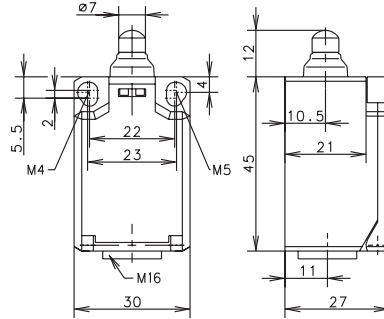
Installation advantages

- Snap-on cover can be released with screwdriver
- Cover protects switching element during installation
- Screw connections with self-lifting clamping plates
- Cover transparent for adjustment and visual inspection
- Easy-action cover lock (close and press)

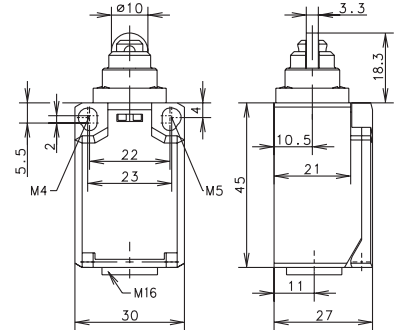
Technical data

Electrical data		
Rated insulation voltage	U_i max.	240 V AC
Conventional thermal current	I_{th}	10 A
Rated operating voltage	U_e max.	240 V
Utilisation category	U_e/I_e	AC-15, U_e/I_e 240 V/3 A; DC-13, U_e/I_e 240 V/0,27 A
Short-circuit protection		Fuse 6 A gL/gG
Protection class		II, Insulated
Mechanical data		
Enclosure material		Thermoplastic, glass fibre-reinforced (UL 94-V0)
Ambient temperature		-30 °C to +80 °C
Mechanical service life		3 x 10 ⁶ switching cycles
B10d		6 Mio.
Switching frequency		≤ 100/min.
Type of connection		Screw connections
Conductor cross sections		Single-wire 0.5 – 1.5 mm ² or Stranded wire with ferrule 0.5 – 1.5 mm ²
Cable entry		1 x M16 x 1,5
Protection class		IP65 conforming to EN 60529; DIN VDE 0470 T1
Standards		
VDE 0660 T100, DIN EN 60947-1, IEC 60947-1VDE 0660 T200, DIN EN 60947-5-1, IEC 60947-5-1		

W (Form B)



RIW (Form C)



Switching operation

Slow-action

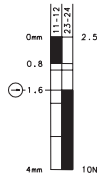
Snap-action

Slow-action

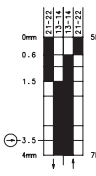
Snap-action

1 NC / 1 NO contact

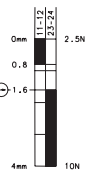
6088103001
TI2-U1Z W



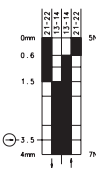
6088153002
TI2-SU1Z W



6088117007
TI2-U1Z RIW

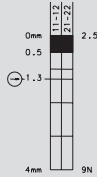


6088167008
TI2-SU1Z RIW



2 NC contacts

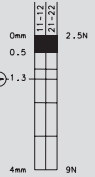
6088803003
TI2-A2Z W



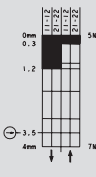
6088853004
TI2-SA2Z W



6088817009
TI2-A2Z RIW

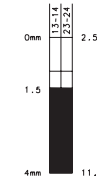


6088867010
TI2-SA2Z RIW

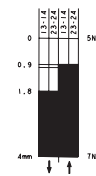


2 NO contacts

6088803005
TI2-E2 W



6088867012
TI2-SE2 RIW



1 NC / 1 NO contact
Overlapping

Approvals



Replacement actuator: -

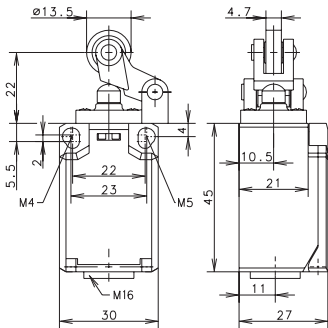
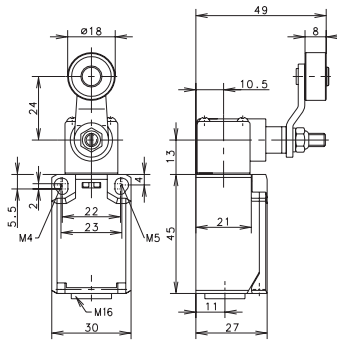
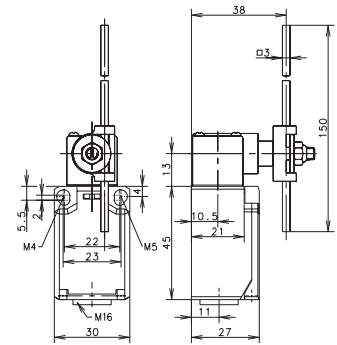
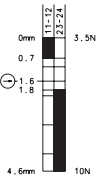
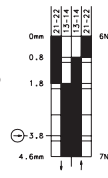
Replacement actuator: -

Special features / variants
(on request)

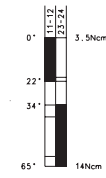
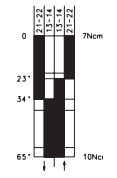
- Available with increased switching force

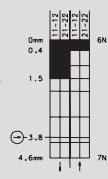
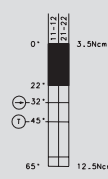
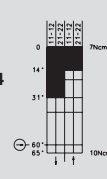
Special features / variants
(on request)

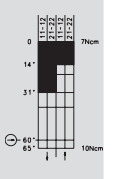
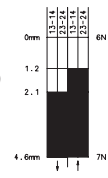
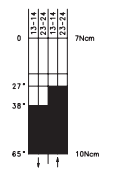
- Available with increased switching force
- Available with different actuating directions
- Cannot be turned by user

HW (Form E)

AH (Form A)

AD

Slow-action
Snap-action
6088121015
T12-U1Z HW

6088171016
T12-SU1Z HW

Slow-action
Snap-action
6088135021
T12-U1Z AH

6088185022
T12-SU1Z AH

Slow-action
Snap-action
6088137027
T12-U1 AD

6088187028
T12-SU1 AD

6088821017
T12-A2Z HW

6088871018
T12-SA2Z HW

6088835023
T12-A2Z AH

6088885024
T12-SA2Z AH

6088837029
T12-A2 AD

6088887030
T12-SA2 AD

6088871020
T12-SE2 HW

6088887032
T12-SE2 AD

Replacement actuator: 3918190681
Replacement actuator: 3918351166
Replacement actuator: 3918370986
Special features / variants
(on request)

- Available with different actuating directions
- With steel roller
- Various roller diameters

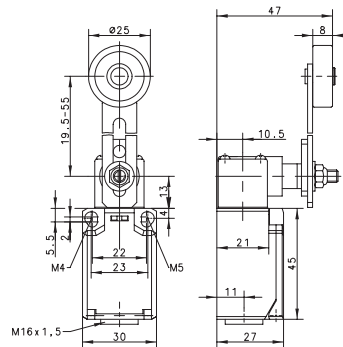
Special features / variants
(on request)

- Available with different actuating directions
- With steel roller
- Various roller diameters
- Cranked or straight lever
- Various lever lengths
- With roller over switch

Special features / variants
(on request)

- Available with different actuating directions
- With various actuator lengths
- Available with increased switching force

AV



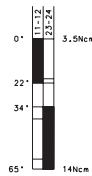
Switching operation

Slow-action

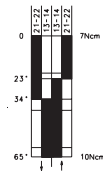
Snap-action

1 NC / 1 NO contact

6088136033
TI2-U1 AV

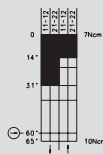


6088186034
TI2-SU1 AV



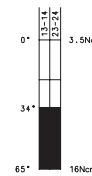
2 NC contacts

6088886036
TI2-SA2 AV

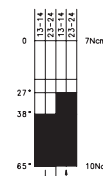


2 NO contacts

6088836037
TI2-E2 AV



6088886038
TI2-SE2 AV



1 NC / 1 NO contact
Overlapping

Approvals

Replacement actuator: 3918360984

Special features / variants
(on request)

- Available with different actuating directions
- Various roller diameters
- Various lever lengths
- With roller over switch