

SKC



In terms of lengths, the SKC safety position switch is the 15 mm shorter variant of the SK. This makes it the right choice for confined installation conditions.

The SKC otherwise offers the same advantages as the SK: Industrial standard with particular emphasis on safety, personal protection and a variable actuator head with two actuator openings.

Other decisive advantages include:

- **Different actuating forces:**

Corresponding to your specific application, in addition to the standard 10 N, you can also choose an actuating force of 5, 20, 30 or 50 N.

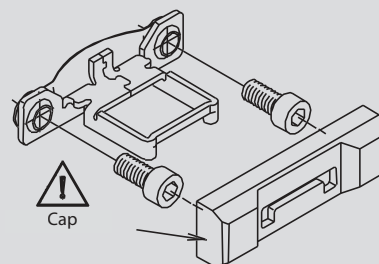
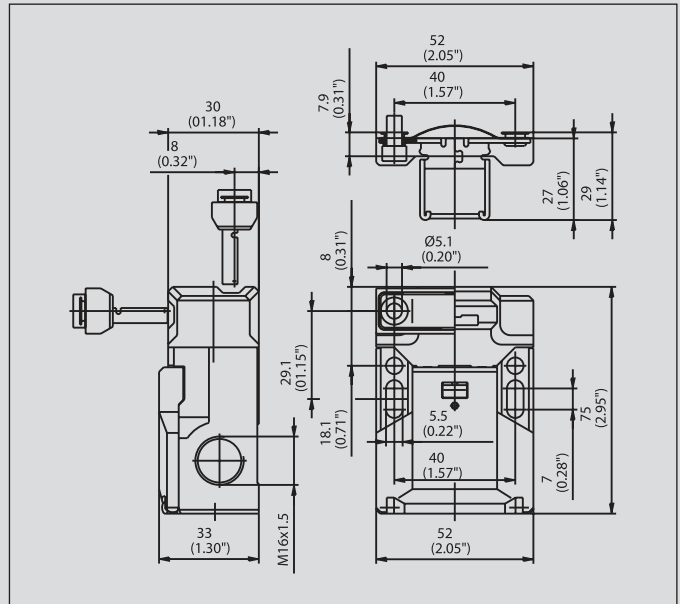
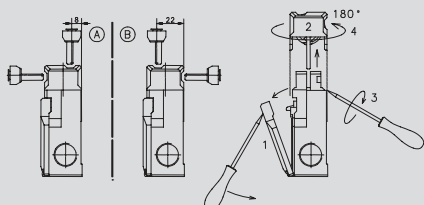
Actuating forces from 30 to 100 N can be realised with the aid of additional components that are mounted on the outside of the switch.

- **Anti-tamper facility:**

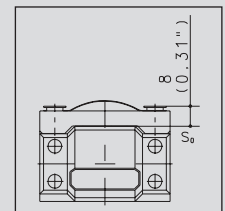
The switching system is protected by multiple coding to ensure enhanced safety of your application.

- **Outstanding handling:**

With the two slots you can easily adjust the SKC safety switch and lock it in position by means of the two holes accessible from the top or the two holes accessible from the front. The switch can be wired from three different sides. A transparent cover prevents foreign particles from entering the contact space while connecting the power supply cable.



R_{min} 150 mm (5.9")
Actuator: Metal



Technical data

| Electrical data | | |
|--|---------------------|--|
| Rated insulation voltage | U _i max. | 250 V AC |
| Rated operating voltage | U _e max. | 240 V |
| Conventional thermal current | I _{the} | 5 A |
| Utilization category | | AC-15, U _e /I _e 240 V / 1.5 A |
| Mechanical data | | |
| Switching frequency | | ≤ 30/min. |
| Mechanical service life | | 1 x 10 ⁶ switching cycles |
| B10d (up to) ^① | | 2 Mill. |
| Short-circuit protection | | Fuse 6 A gL/gG |
| Protection class | | II, Insulated |
| Ambient temperature | | -30 °C ... + 80 °C |
| Protection class | | IP 65 conforming to IEC/EN 60529 |
| Type of connection | | Screw connections |
| Conductor cross sections | | Single-wire 0.5 – 1.5 mm ² or Stranded wire with ferrule 0.5 – 1.5 mm ² |
| Enclosure | | Thermoplastic, glass fibre-reinforced (UL94-V0) |
| Cable entry | | 3 x M16 x 1.5 |
| Standards | | |
| VDE 0660 T100, DIN EN 60947-1, IEC 60947-1 | | |
| VDE 0660 T200, DIN EN 60947-5-1, IEC 60947-5-1 | | |

① Depending on switching system. See Table on Pages 70 – 73.