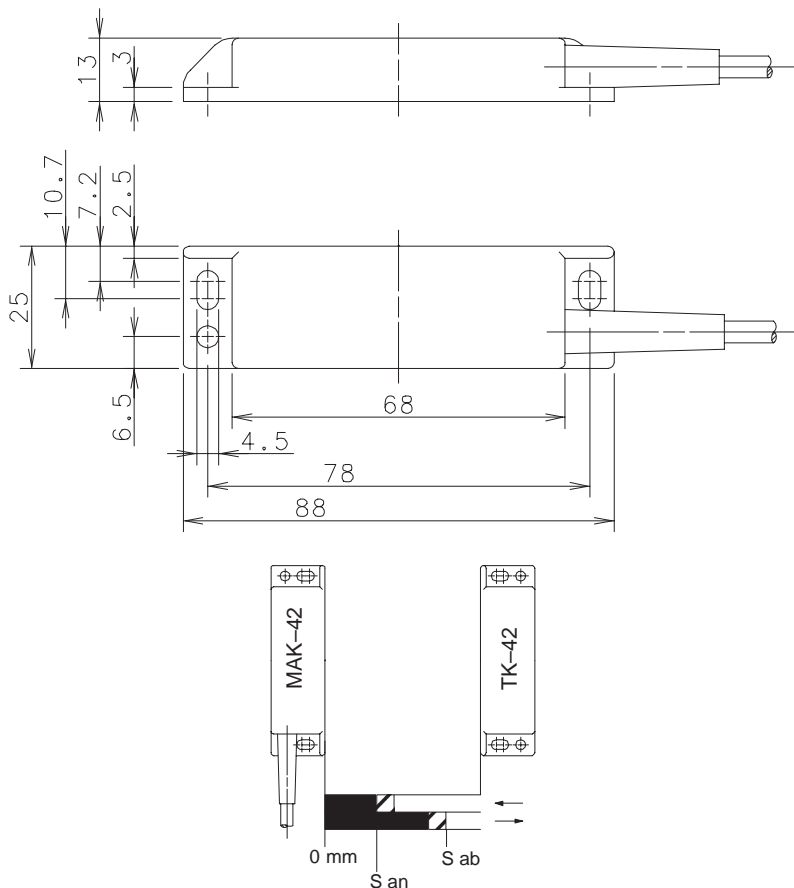
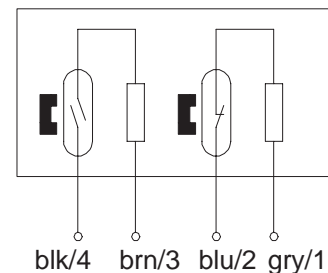


Type: **MAK-4236-5**Art.-No.: **649.0642.006**

03.11.99/1094

**Comments:**

These coded magnetic systems offer manipulation-safe locking and can not be actuated with simple tools like depolarized magnets.

Wiring Diagram:**Magnetic System:**

	TK-42-CD
S_{an} [mm]	≥ 5
S_{ab} [mm]	≤ 14

Technical Data

Max. Voltage	:	DC 30 V
Actuation	:	coded magnetic system of Type Tx-42-CD-xx preferredly 640.2042.022
Mech. Lifetime	:	3×10^8 switchings, depending on load
Repeat Accuracy	:	$\pm 0,1$ mm under same geometrical conditions at the same temperature
Temperature range	:	-5 °C ... $+70$ °C
Protection	:	IP 67 according to IEC 529, EN 60529 (NEMA 4)
Output function	:	N.O., N.C. combined (other functions on request)

Mechanical Features

Housing	:	PA 6; encapsulated reed contact
Connection	:	cable $4 \times 0,25$ mm ² x 5 m; PVC – Outer jacket; (other lengths upon request)
Application	:	monitoring system of Type MÜZ-x02/xxx optional assembly position