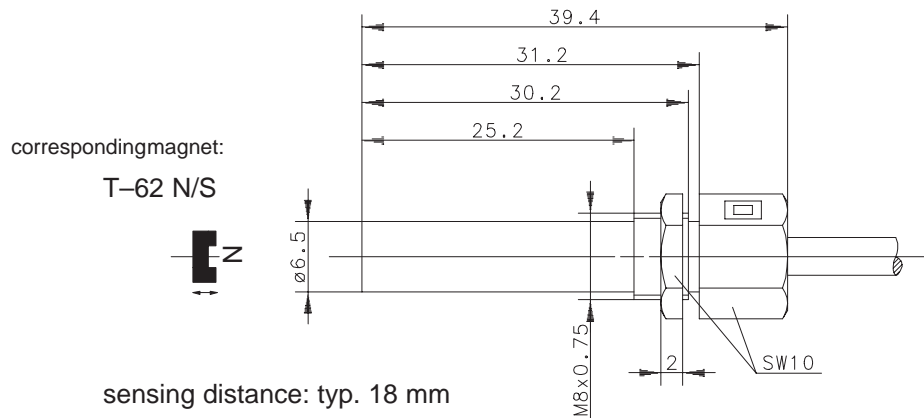


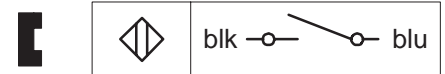
Type: **MAK-4612-A-2**

Art.-No.: **631.0246.500**

18.07.96/0647



Wiring Diagramm:



Technical Data

Max. Voltage : 250 V

Max. Switch Current : 0,5 A

Max. Switching : 20 VA

Mech. Lifetime : 3×10^8 switchings, however, according to the load resetability

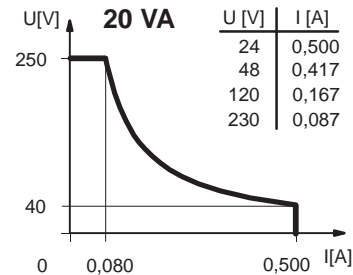
Resetability : $\pm 0,1$ mm under same geometrical conditions at the same temperature

Temperature range : -5 °C ... $+70$ °C

Protection : IP 67 acc. to DIN 40050

Output function : N.O. (other functions on request)

Switching diagramm



Mechanical Features

Housing : PA 6; encapsulated reed contact

Connection : Cable $2 \times 0,14$ mm² x 2 m; PVC, black (other lengths upon request)

Assembly position : optional (assembly on iron means reduction of switch distance)

Pay attention to the contact protection when switching inductive loads.