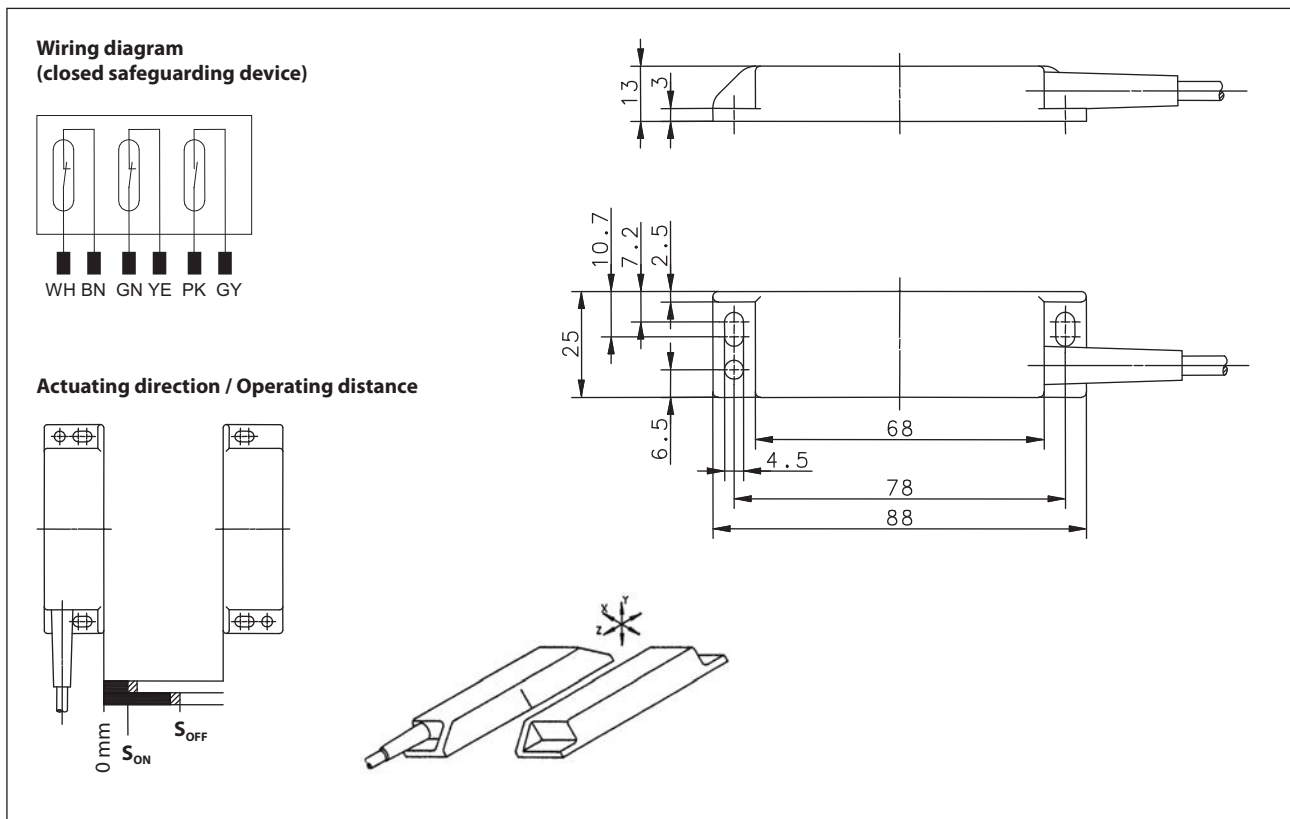


Magnetic Switch Series MA-42

Description **MAK-4256-3**

Article number **6490642046**



Identifying characteristics in accordance with EN 60947-5-2 and EN 62246-1

Electrical data	
Operating distance for the safety circuit (WH/BN, GN/YE)	$S_{an} \geq 5 \text{ mm}$ $S_{ab} \leq 14 \text{ mm}$
Admissible axial offset (Y Axis) (Z Axis)	$\pm 2 \text{ mm}$ $\pm 3 \text{ mm}$
Actuation	Coded magnetic system of type TK-42-CD/2 (6402042053)
Output	2 x N.C. for the safety circuit 1 x N.O. for signalling purposes (PK/GY; not coded)
Max. voltage	130 V DC
Mechanical lifetime	3×10^8 switchings, however, according to the load resetability
Repeat accuracy	R $\pm 0,1 \text{ mm}$ (under same geometrical conditions at the same temperature)

Mechanical data	
Enclosure	PA6, black; encapsulated reed contact
Ambient air temperature	-25 °C ... +70 °C (cable fixed mounted)
Protection class	IP 67 acc. to EN 60529
Connection	Cable 6 x 0,25 mm ² x 3 m 5 %; PVC - Outer jacket, grey
Installation position	operator definable

EU Conformity	
acc. to directive 2014/35/EU (Low-Voltage-Directive)	

Bemerkungen	
<p>These coded magnetic systems offer manipulation-safe locking and can not be actuated with simple tools like depolarised magnets.</p> <p>When this magnetic switch is used together with the related magnet, like TK-42-CD/2 (6402042053), and a suitable safety control unit, like e.g. Safety Relay Combination SCR, it supports a safety system up to PL e according to EN ISO 13849-1 and up to SIL CL 2 according to EN 62061.</p>	