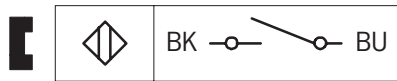
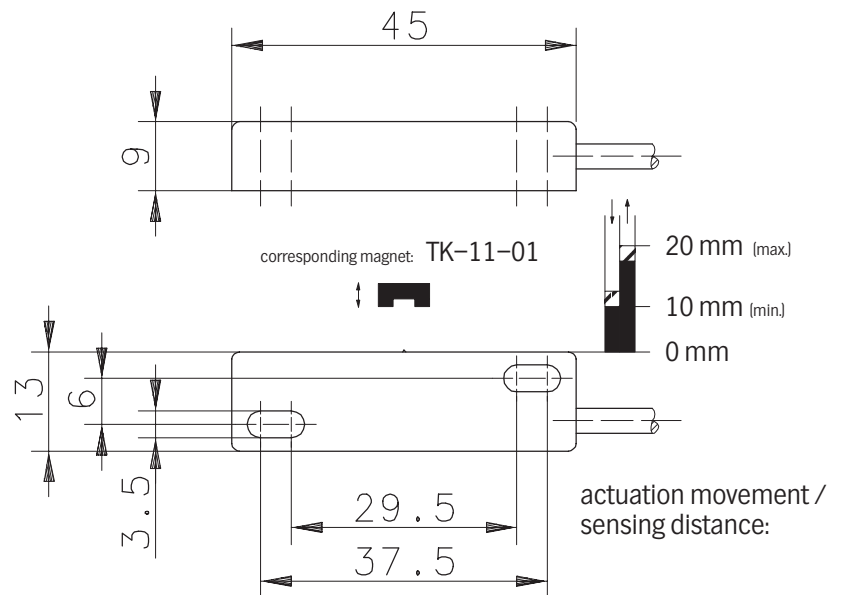
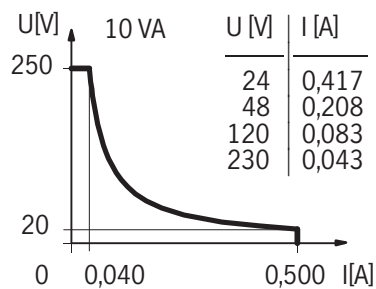


Wiring Diagram



Switching diagram



**Technical Data**

Max. Voltage	: AC 220 V
Max. Switch Current	: 0,5 A
Max. Switching	: 10 VA
Mech. Lifetime	: $3 \times 10^8$ switchings, however, according to the load resetability
Repeat Accuracy	: $\pm 0,1$ mm under same geometrical conditions at the same temperature
Temperature range	: $-5$ °C ... $+70$ °C
Protection	: IP 67 according to IEC 529, EN 60529 (Nema 4)
Output function	: N.O. (other functions on request)

**Mechanical Features**

Housing	: PA 6.6, black; encapsulated reed contact
Connection	: Cable $2 \times 0,14$ mm <sup>2</sup> x 1 m; PVC-Outer jacket, black (other lengths upon request)
Assembly position	: optional (assembly on iron means reduction of switch distance)

Pay attention to the contact protection when switching inductive loads.