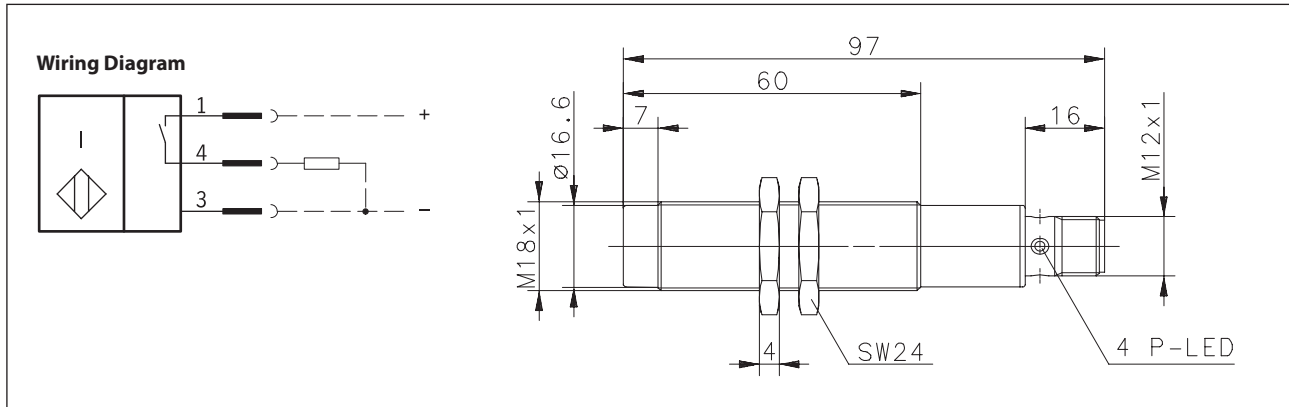


Inductive Proximity Switch Series M18

Description **KIN-M18PS/008-KLS12**

Article number **6502941003**



Identifying characteristics in accordance with EN 60947-5-2

Electrical data		
Rated operating distance	S_n	8 mm
Standard target		24 mm x 24 mm, t = 1 mm; material: FE360
Real sensing distance	S_r	7,2 ... 8,8 mm
Assured operating distance	S_a	0 ... 6,5 mm
Switching element function		DC, N.O.
Repeat accuracy	R	≤ 5 %
Differential travel (hysteresis)	H	≈ 10 %
Operational voltage range	U_B	10 - 60 V DC
Rated insulation voltage	U_i	75 V DC
Rated impulse withstand voltage	U_{imp}	500 V
Voltage drop	U_d	≤ 2,5 V
Utilization category		DC-13
Rated operational current	I_e	200 mA
Minimum operating current	I_m	1 mA
Off-state current	I_r	< 0,1 mA
No-load supply current	I_o	< 8 mA
Switching element		Permanent overload and s.c.p.
Short-circuit protection		pulsed
Frequency of operating cycles	f	200 Hz
Mounting		non flush
False polarity protection		Yes
Time delay before availability	t_v	≤ 50 ms

Mechanical Data	
Front cap	PA 6.6, black
Enclosure	Brass, nickel plated
Ambient air temperature	-25 °C ... +70 °C
Type of protection	IP67 (only in fully locked position with it's plugs)
Degree of pollution	3 (Pollution of the active zone can cause impairments of the operating distances.)
Indication	LED yellow
Termination type	Male plug M12x1, PA
For attachment	2 x hexagon nut

Product reliability (in acc. with DIN EN 61709 (SN 29500))	
MTTF (at 40 °C)	> 900 years

EU Conformity	
	acc. to directive 2014/30/EU (EMC-Directive)