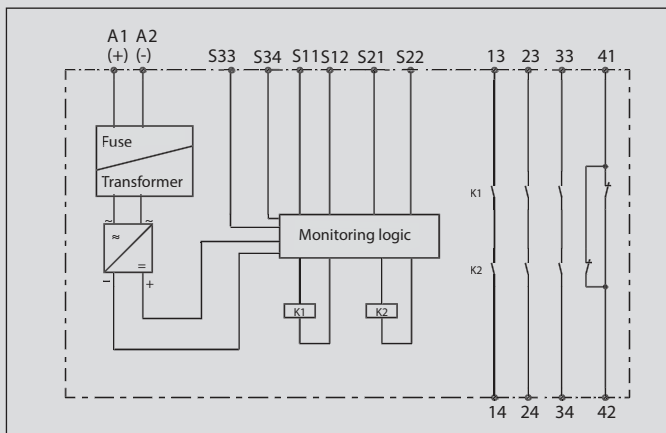


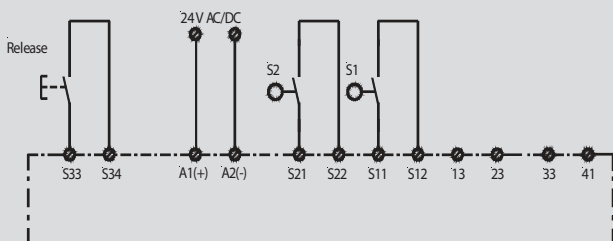
SCR – Safety Relay



Whether it's safety switches or safety relays, BERNSTEIN has the complete range of products for your application. Our SCR safety relays are used to reliably evaluate signals, such as those generated by BERNSTEIN position switches, safety switches, safety latching devices, safety rope pull switches, safety sensors or 2-hand controllers.

With their compact standard mounting rail enclosure, BERNSTEIN SCR relays impress in a wide variety of applications up to performance level e as defined by EN 13849. Conforming to this standard, the SCR relays monitor the correct position and reliable operation of safety sensors and or contacts in safety switches. This evaluation function is used to actuate power elements such as power contactors or frequency converters and stop machines in the case of emergency.

Two positive opening normally-closed contacts are required as the signalling contacts for safety gate monitors. Virtually all BERNSTEIN switches feature these contacts. They can be identified by the \ominus symbol.



Schematic representation of safety relay system

The product range includes switching relays for evaluating:



- Safety gate monitors with and without monitored start pushbutton
- Expansion module as auxiliary switching circuit for safety relays
- Two-hand controllers
- Auxiliary controller for safety light curtains/barriers

Technical data

Electrical data	
Supply voltage	U_e 24 V AC/DC (6075111020 24V DC)
Voltage range	0,90 ... 1,1 U_e
Frequency	50 ... 60 Hz
Power intake	24 V DC: 3 W, 24 V AC: 5 V A
Performance data	
Conductor cross section	2 x 1.5 mm ² / 4 x 1.5 mm ²
Contact data	
Switching voltage	230 V AC, 24 V DC
Switching current	5 A
Max. switching power	1250 V A (ohmic load)
Mechanical service life	107 switching cycles
Environmental data	
Ambient temperature	- 25 °C to + 50 °C
Protection class, enclosure	IP 40 DIN VDE 0470 Part 1
Protection class, terminals	IP 20 DIN VDE 0470 Part 1
Mechanical data	
Enclosure material	Polyamide PA 6.6
Approvals	
TÜV, UL, C-UL	

Product selection

Article number	Designation	Enable current paths (NO contact)	Signalling contact (NC contact)	Signalling contact (NC contact)	Monitored start	Start automatic/ pushbutton (manual)	Remarks
6075111009	SCR4-W22-3.5-D	e	3	1	No	Auto / pushbutton	-
6075111010	SCR4-W22-3.5-SD	e	3	1	Yes	Pushbutton	-
6075111015	SCR2-W22-2.5	d	2	0	No	Auto / pushbutton	-
6075111016	SCR2-W22-2.5-S	d	2	0	No	Pushbutton	-
6075111018	SCR4-W22-2.6-D2H	e	2	1	-	-	SCT for two-hand controller
6075111020	SCR ON4-W22-3.6-5	e	3	0	Programmable	Pushbutton	Evaluation device for electro-sensitive protective equipment