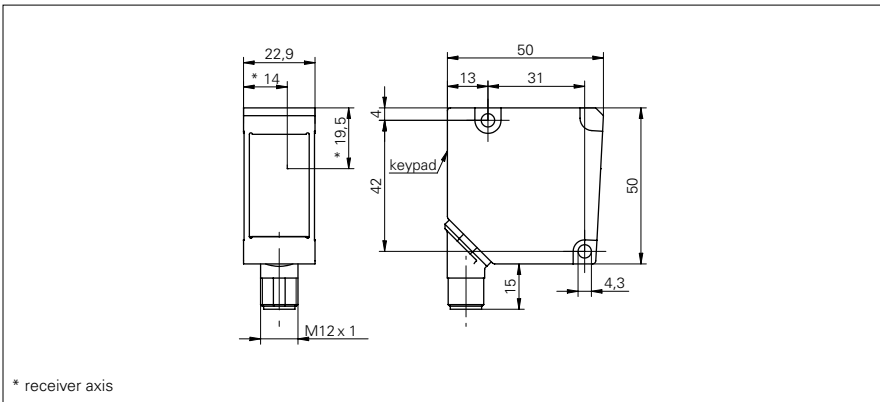


Edge sensors

ZADM 023 (PosCon, short measuring range)

sample drawing



general data

type	measuring mode: edges, center, width
measuring frequency	500 Hz
linearity error relative	< 0,3 %
light source	pulsed infrared diode
wave length	880 nm
adjustment	Teach-in
measuring field size = 30 mm	
measuring distance (to object)	50 mm
resolution	< 0,03 mm
smallest object recognizable	0,3 mm
measuring field size = 150 mm	
measuring distance (to object)	200 mm
resolution	< 0,15 mm
smallest object recognizable	1,2 mm
measuring field size = 350 mm	
measuring distance (to object)	500 mm
resolution	< 0,35 mm
smallest object recognizable	4 mm

electrical data

response time	< 2 ms
voltage supply range +Vs	15 ... 28 VDC
current consumption max. (no load)	150 mA
output signal	4 ... 20 mA
output current	< 100 mA
interface	analog and RS 485
baud rate	19200, adjustable
reverse polarity protection	yes, Vs to GND

mechanical data

width / diameter	23 mm
type	rectangular
housing material	die-cast zinc
front (optics)	glass
connection types	connector M12 8 pin, rotatable

sample picture



Edge sensors
ZADM 023 (PosCon, short measuring range)
ambient conditions

operating temperature	0 ... +55 °C
protection class	IP 67

order reference	measuring field size	output function	switching output
ZADM 023H151.0001	150 mm	Out 1 / Alarm	PNP
ZADM 023H151.0002	150 mm	Out 1 / Alarm	NPN
ZADM 023H151.0011	150 mm	Out 1 / Out 2	PNP
ZADM 023H151.0012	150 mm	Out 1 / Out 2	NPN
ZADM 023H300.0001	30 mm	Out 1 / Alarm	PNP
ZADM 023H300.0002	30 mm	Out 1 / Alarm	NPN
ZADM 023H300.0011	30 mm	Out 1 / Out 2	PNP
ZADM 023H300.0012	30 mm	Out 1 / Out 2	NPN
ZADM 023H351.0001	350 mm	Out 1 / Alarm	PNP
ZADM 023H351.0002	350 mm	Out 1 / Alarm	NPN
ZADM 023H351.0011	350 mm	Out 1 / Out 2	PNP
ZADM 023H351.0012	350 mm	Out 1 / Out 2	NPN