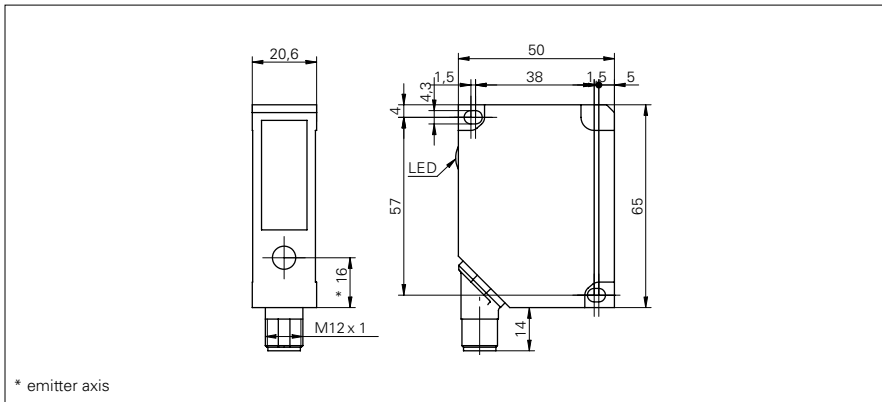


Distance sensors

OADM 20U5540/S14C

dimension drawing



general data

measuring distance Sd	30 ... 50 mm
adjustment	no
power on indication	LED green
soiled lens indicator	LED red
resolution	< 0,01 mm
linearity error	± 0,03 mm
light source	pulsed red laser diode
wave length	650 nm
laser class	2
beam type	line
beam width	1 ... 0,4 mm
beam height	2 mm
temperature drift	< 0,015 % Sde/K

electrical data

response time / release time	< 10 ms
voltage supply range +Vs	12 ... 28 VDC
current consumption max. (no load)	100 mA
output circuit	analog
output signal	0 ... 10 VDC
load resistance (analog U)	> 100 kOhm
output current	< 100 mA
alarm output	PNP
short circuit protection	yes
reverse polarity protection	yes, Vs to GND

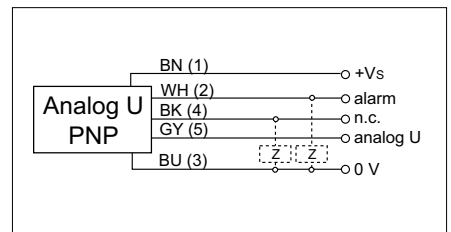
mechanical data

width / diameter	20,6 mm
height / length	65 mm
depth	50 mm
type	rectangular
housing material	die-cast zinc
front (optics)	glass
connection types	connector M12 5 pin, rotatable

photo



connection diagram



alignment of the laser line



Distance sensors

OADM 20U5540/S14C

ambient conditions

operating temperature	0 ... +50 °C
protection class	IP 67

laser warning

