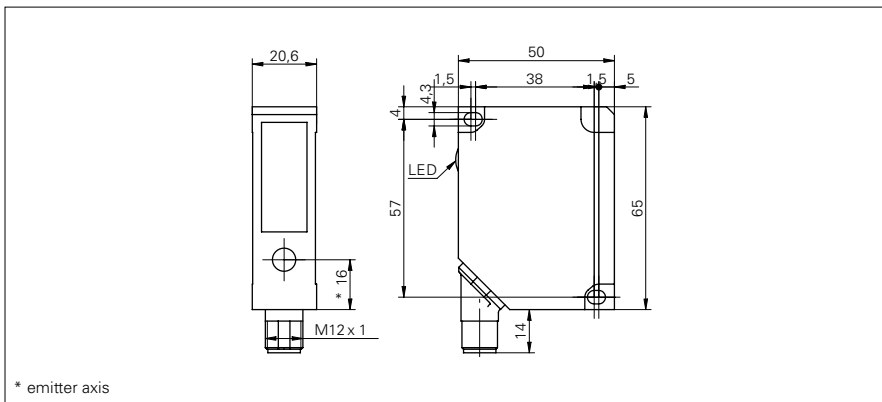


**Distance sensors**

**OADM 20I5571/S14C**

**dimension drawing**



**general data**

measuring distance Sd	100 ... 500 mm
adjustment	no
power on indication	LED green
soiled lens indicator	LED red
resolution	0,2 ... 0,5 mm
linearity error	± 0,8 ... ± 2 mm
light source	pulsed red laser diode
wave length	650 nm
laser class	2
beam type	line
beam width	2,5 mm
beam height	5,5 ... 18 mm
temperature drift	< 0,04 % Sde/K

**electrical data**

response time / release time	< 10 ms
voltage supply range +Vs	12 ... 28 VDC
current consumption max. (no load)	100 mA
output circuit	analog
output signal	4 ... 20 mA
load resistance (analog I)	< (+Vs - 6 V) / 0,02 A
alarm output	PNP
short circuit protection	yes
reverse polarity protection	yes, Vs to GND

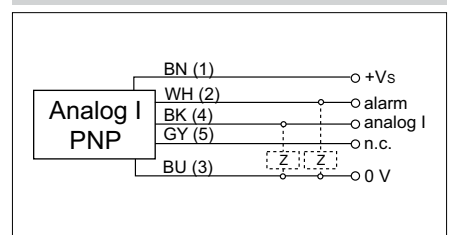
**mechanical data**

width / diameter	20,6 mm
height / length	65 mm
depth	50 mm
type	rectangular
housing material	die-cast zinc
front (optics)	glass
connection types	connector M12 5 pin, rotatable

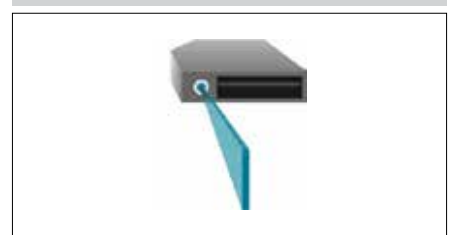
**photo**



**connection diagram**



**alignment of the laser line**



## Distance sensors

## OADM 20I5571/S14C

### ambient conditions

operating temperature	0 ... +50 °C
protection class	IP 67

### laser warning

