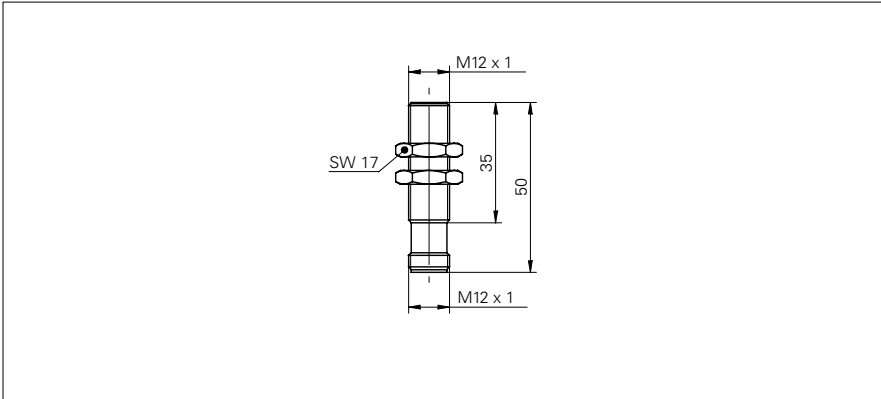


Inductive distance measuring sensors

IWRM 12 (dist. 0...4 mm)

sample drawing



general data

mounting type	quasi-flush
measuring distance Sd	0 ... 4 mm
linearity error	± 160 µm
temperature drift	± 4 % (Full Scale)

electrical data

voltage supply range +Vs	15 ... 30 VDC
short circuit protection	yes
reverse polarity protection	yes

voltage output

current consumption max. (no load)	20 mA
output signal	0 ... 10 VDC
load resistance	> 1000 Ohm

current output

output signal	4 ... 20 mA
load resistance +Vs min.	< 330 Ohm
load resistance +Vs max.	< 1000 Ohm

mechanical data

type	cylindrical threaded
housing material	brass nickel plated
dimension	12 mm
housing length	50 mm
connection types	connector M12

ambient conditions

operating temperature	-10 ... +70 °C
protection class	IP 67

sample picture



order reference	resolution	repeat accuracy	output circuit	response time (factory characteristic)
IWRM 12I9704/S14	< 0,001 mm (stat.) < 0,005 mm (dynam.)	< 0,01 mm	current output	< 2 ms
IWRM 12I9705/S14	< 0,0005 mm (stat.) < 0,001 mm (dynam.)	< 0,005 mm	current output	< 30 ms
IWRM 12U9704/S14	< 0,001 mm (stat.) < 0,005 mm (dynam.)	< 0,01 mm	voltage output	< 2 ms
IWRM 12U9705/S14	< 0,0005 mm (stat.) < 0,001 mm (dynam.)	< 0,005 mm	voltage output	< 30 ms