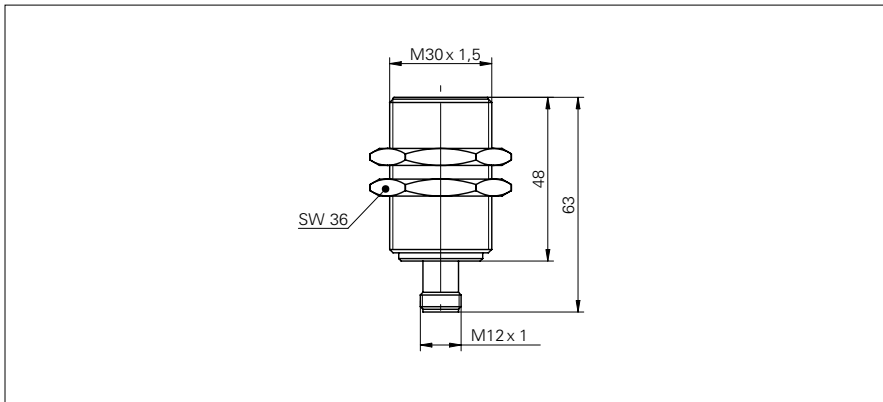


# Inductive distance measuring sensors

## IWRM 30 (dist. 0...16 mm)

**sample drawing**



**general data**

mounting type	quasi-flush
measuring distance Sd	0 ... 16 mm
resolution	< 0,005 mm (stat.) < 0,01 mm (dynam.)
repeat accuracy	< 0,015 mm
linearity error	± 1600 µm
temperature drift	± 5 % (Full Scale)

**electrical data**

response time (factory characteristic)	< 2 ms
voltage supply range +Vs	15 ... 30 VDC
current consumption max. (no load)	20 mA
short circuit protection	yes
reverse polarity protection	yes

**voltage output**

output signal	0 ... 10 VDC
load resistance	> 1000 Ohm

**current output**

output signal	4 ... 20 mA
load resistance +Vs min.	< 330 Ohm
load resistance +Vs max.	< 1000 Ohm

**mechanical data**

type	cylindrical threaded
housing material	brass nickel plated
dimension	30 mm
housing length	63 mm
connection types	connector M12

**ambient conditions**

operating temperature	-10 ... +70 °C
protection class	IP 67

**order reference**

<b>IWRM 30I9704/S14</b>	current output
<b>IWRM 30U9704/S14</b>	voltage output

**output circuit**

**sample picture**

