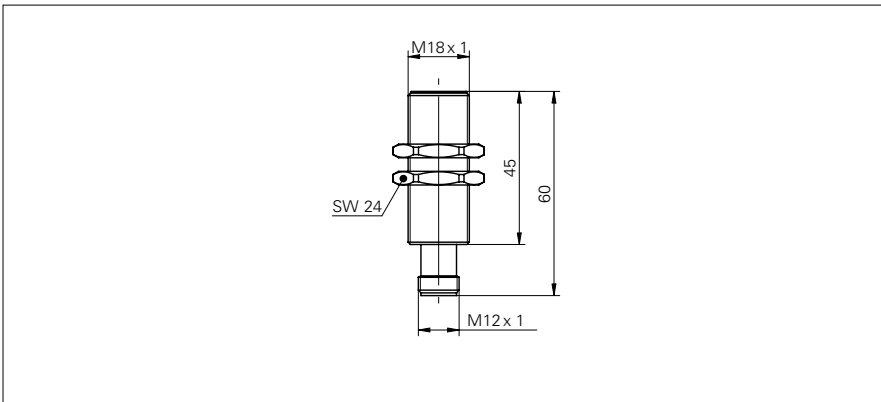


Inductive distance measuring sensors

IWRM 18 (dist. 0...8 mm)

sample drawing



general data

mounting type	quasi-flush
measuring distance Sd	0 ... 8 mm
resolution	< 0,005 mm (stat.) < 0,01 mm (dynam.)
repeat accuracy	< 0,015 mm
linearity error	± 400 µm
temperature drift	± 5 % (Full Scale)

electrical data

response time (factory characteristic)	< 2 ms
voltage supply range +Vs	15 ... 30 VDC
current consumption max. (no load)	20 mA
short circuit protection	yes
reverse polarity protection	yes

voltage output

output signal	0 ... 10 VDC
load resistance	> 1000 Ohm

current output

output signal	4 ... 20 mA
load resistance +Vs min.	< 330 Ohm
load resistance +Vs max.	< 1000 Ohm

mechanical data

type	cylindrical threaded
housing material	brass nickel plated
dimension	18 mm
housing length	60 mm
connection types	connector M12

ambient conditions

operating temperature	-10 ... +70 °C
protection class	IP 67

order reference

IWRM 18I9704/S14	current output
IWRM 18U9704/S14	voltage output

output circuit

sample picture

