

Overview

- retro-reflective sensor
- 3,2 m
- pulsed red LED
- PNP
- no
- cable 4 pin, 2 m
- -25 ... 65 °C
- IP 67



Picture similar



Technical data

General data

| | |
|-------------------------------------|--------------------------|
| Type | Retro-reflective sensor |
| Version | Single lens optics |
| Light source | Pulsed red LED |
| Actual range Sb | 3.2 m |
| Nominal range Sn | 3.8 m |
| Polarization filter | Yes |
| Alignment / soiled lens indicator | Flashing light indicator |
| Light indicator | LED yellow |
| Sensitivity adjustment | No |
| Wave length | 660 nm |
| Suppression of reciprocal influence | Yes |

Electrical data

| | |
|------------------------------------|---------------|
| Response time / release time | < 1 ms |
| Voltage supply range +Vs | 10 ... 30 VDC |
| Current consumption max. (no load) | 25 mA |

Electrical data

| | |
|-----------------------------|----------------------|
| Current consumption typ. | 20 mA |
| Voltage drop Vd | < 1.8 VDC |
| Output function | Light / dark operate |
| Output circuit | PNP |
| Output current | < 100 mA |
| Short circuit protection | Yes |
| Reverse polarity protection | Yes |

Mechanical data

| | |
|------------------|---------------------|
| Width / diameter | 14.8 mm |
| Height / length | 43 mm |
| Depth | 31 mm |
| Type | Rectangular |
| Housing material | Plastic (ASA, MABS) |
| Front (optics) | PMMA |
| Connection types | Cable 4 pin, 2 m |

Ambient conditions

| | |
|-----------------------|----------------|
| Operating temperature | -25 ... +65 °C |
| Protection class | IP 67 |

Remarks

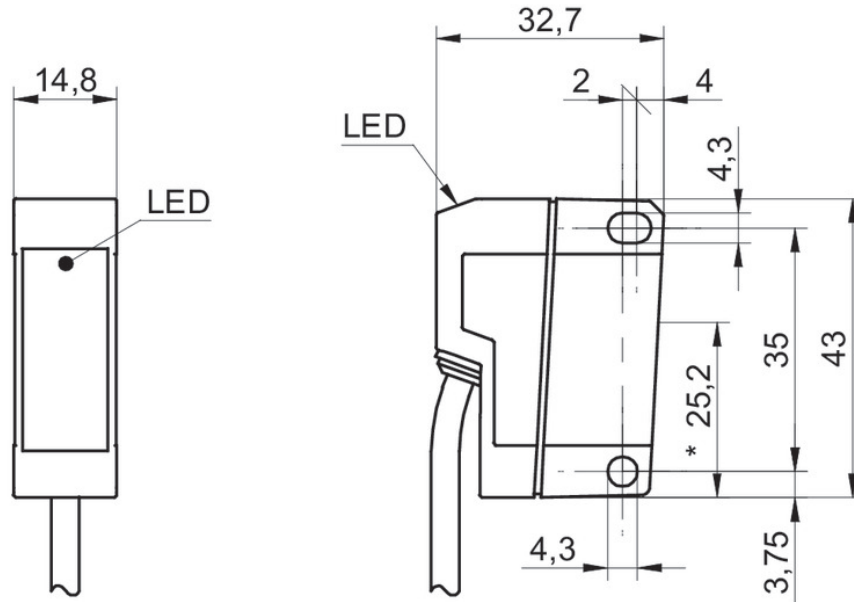
- Single lens optics

FPDK 14P5111

Retro-reflective sensors - standard

Article number: 11001202

Technical drawings



Connection diagram

