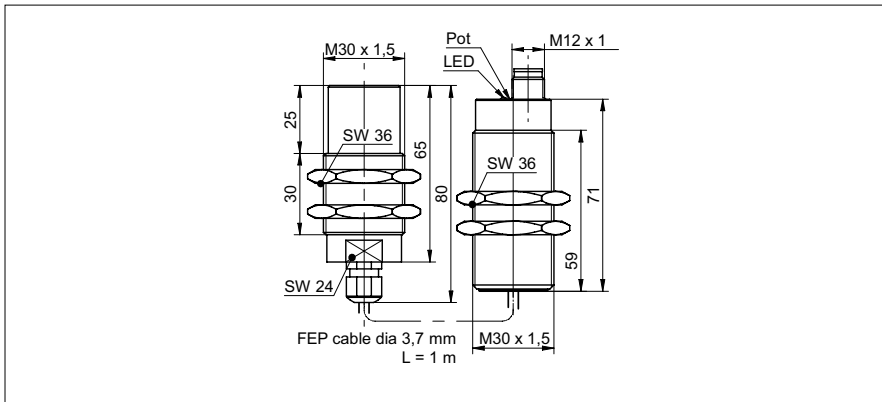


**Capacitive proximity sensors**

**CFAH 30**

**sample drawing**



**general data**

special type	sensor for high temperatures
nominal sensing distance Sn	15 mm
nominal sensing distance Sn adjustable	4 ... 15 mm
mounting type	non-flush
GND electrode	no
temperature drift	± 16 %
sensitivity adjustment	potentiometer, 18 turn
output indicator	LED

**electrical data**

voltage supply range +Vs	10 ... 35 VDC
current consumption max. (no load)	15 mA
output current	< 200 mA
voltage drop Vd	< 2,5 VDC
switching frequency	< 50 Hz
short circuit protection	yes
reverse polarity protection	yes

**mechanical data**

type	cylindrical threaded
housing material	V2A/PTFE
dimension	30 mm
housing length	65 mm
connection types	connector M12

**ambient conditions**

operating temperature	-40 ... +200 °C
protection class	IP 67

**field of application**

detection of non-conductive media	yes
fill level detection through container	no
liquids in direct contact	yes
object detection / bulk goods	no

**sample picture**



## Capacitive proximity sensors

## CFAH 30

### inline amplifier

operating temperature	-25 ... +75 °C
housing material	brass nickel plated
protection class	IP 65

### order reference

**CFAH 30P1200/S14**

**CFAH 30P3200/S14**

### output circuit

PNP make function (NO)

PNP break function (NC)