

# Ø22/25mm panel hole type

## B2NB, KPL Series

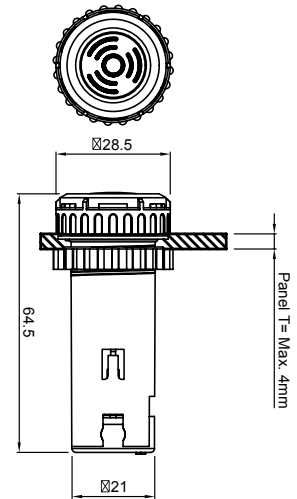
### B2NB-B1D



### Specifications

|                        |                                    |                          |
|------------------------|------------------------------------|--------------------------|
| Rated Voltage/ Current | AC/DC12~24V 60mA                   |                          |
| Protection             | IP30                               |                          |
| Sound Level            | 0.1m                               | 85dB                     |
|                        | 1.0m                               | 75dB                     |
| Sound Mode             | Intermittent (default), Continuous |                          |
| Life (Electrical)      | 500 Time / (continuous use)        |                          |
| Operation Frequency    | Max 30Time / min                   |                          |
| Impact                 | Endurance                          | 500m/s <sup>2</sup> more |
|                        | No movement                        | 100m/s <sup>2</sup> more |
| Vibration              | 10~55Hz ,3mm                       |                          |
| Operating Temperature  | -20°C~ +55°C                       |                          |
| Operating Humidity     | 35 ~85%RH                          |                          |
| Storage Temperature    | -25°C~ +65°C                       |                          |

### Dimensions



### LED Type

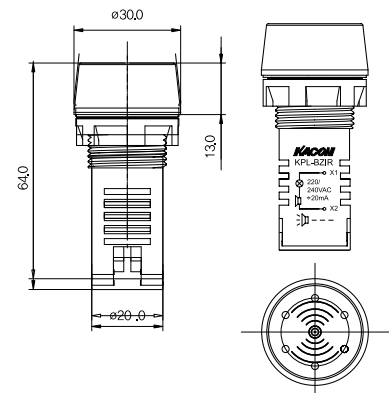


### Ordering Information

KPL- BZ **I** **R** **12V**  
 ① ② ③

|              |              |             |
|--------------|--------------|-------------|
| ①<br>Sound   | <b>I</b>     | Interrupted |
|              | <b>C</b>     | Continuous  |
| ②<br>Color   | <b>R</b>     | Red         |
|              | <b>G</b>     | Green       |
| ③<br>Volatge | <b>AC/DC</b> | 12V         |
|              |              | 24V         |
|              | <b>AC</b>    | 110V        |
|              |              | 220V        |

### Dimensions



### Specifications

|                              |                            |
|------------------------------|----------------------------|
| Power Consumption            | 20mA                       |
| Insulation Resistance        | 100MΩ at 500VDC            |
| Lamp Life                    | 50,000 hrs                 |
| Type of Sounds               | Interrupted/Continued      |
| Volume                       | 80Phone (dB) Min           |
| Weight                       | Approx. 24g                |
| Ambient Temp.                | -25°C~ +55°C (No Freezing) |
| Terminal bolt driving torque | 0.8N-m (8.16kgf-cm)        |