

Non-Metallic Push Button & Switch Boxes

Part Numbers and Size

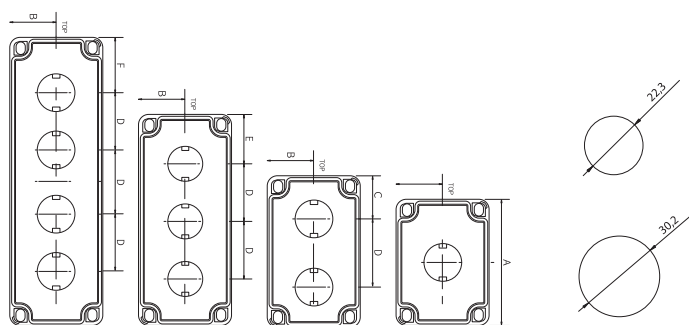


| MODEL | | SIZE (including cover) | | φ | Hole |
|-------------|-------------|--------------------------|----------------------------|----|------|
| ABS | PC | W * L * H (unit : mm) | W * L * H (unit : inch) | | |
| BC-AGS-2201 | BC-CGS-2201 | 80x110x70 | 3.15x4.33x2.76 | 22 | 1 |
| BC-AGS-2202 | BC-CGS-2202 | 80x130x70 | 3.15x5.12x2.76 | 22 | 2 |
| BC-AGS-2203 | BC-CGS-2203 | 80x180x70 | 3.15x7.09x2.76 | 22 | 3 |
| BC-AGS-2204 | BC-CGS-2204 | 80x250x70 | 3.15x9.84x2.76 | 22 | 4 |
| BC-AGS-3001 | BC-CGS-3001 | 80x110x70 | 3.15x4.33x2.76 | 30 | 1 |
| BC-AGS-3002 | BC-CGS-3002 | 80x130x70 | 3.15x5.12x2.76 | 30 | 2 |
| BC-AGS-3003 | BC-CGS-3003 | 80x180x70 | 3.15x7.09x2.76 | 30 | 3 |
| BC-AGS-3004 | BC-CGS-3004 | 80x250x70 | 3.15x9.84x2.76 | 30 | 4 |



Dimensions

| Cat. No. | Hole | A | B | C | D | E | F |
|------------|------|----|----|----|----|----|----|
| BC- S-2201 | 1 | 55 | 40 | - | - | - | - |
| BC- S-2202 | 2 | - | 40 | 40 | 50 | - | - |
| BC- S-2203 | 3 | - | 40 | - | 50 | 40 | - |
| BC- S-2204 | 4 | - | 40 | - | 50 | - | 50 |
| BC- S-3001 | 1 | 55 | 40 | 40 | - | - | - |
| BC- S-3002 | 2 | - | 40 | 40 | 50 | - | - |
| BC- S-3003 | 3 | - | 40 | - | 50 | 40 | - |
| BC- S-3004 | 4 | - | 40 | - | 50 | - | 50 |



Features

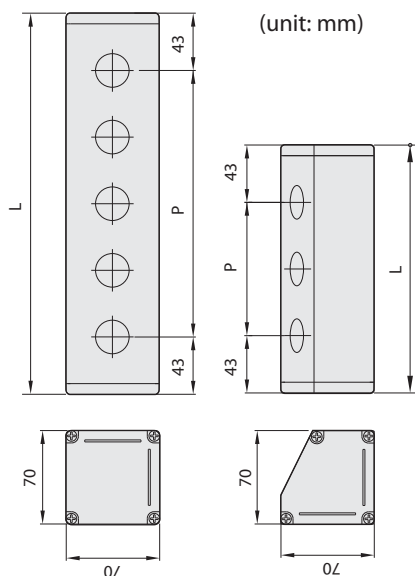
| | |
|--------------------------|--|
| Protection level | IP66/67, IK07/08 |
| Technical | Smooth sidewalls Standard or Quick turn screws Integrated cover retainer |
| Certifications | UL508 on Polycarbonate products |
| Color | Light gray |
| Temperature range | ABS: -40°C to 86°C (-40°F to 185°F) UL94-HB Non-Flammable Polycarbonate: -40°C to 120°C (-40°F to 248°F) UL94-V-0~5VA Non-Flammable |

Aluminum Push Button & Switch Boxes

Ordering Information

MB70 **S** - **01**
① ②

| | | |
|----------------------|----|--------------------|
| ① Box Style | S | Square Side |
| | T | Triangular Side |
| ② Number of Holes | 01 | 1 Hole |
| | 02 | 2 Holes |
| | 03 | 3 Holes |
| | 04 | 4 Holes |
| | 05 | 5 Holes |
| | X | X Holes (optional) |



Dimensions

| | L | P |
|---------|-----------------|----------------|
| 1 Holes | 3.4 in (86mm) | - |
| 2 Holes | 5.4 in (136mm) | 2 in (50mm) |
| 3 Holes | 7.3 in (186mm) | 3.9 in (100mm) |
| 4 Holes | 9.3 in (236mm) | 5.9 in (150mm) |
| 5 Holes | 11.3 in (286mm) | 7.9 in (200mm) |