



MS86L Series

Ø86mm LED Steady & Flashing Lights

- Wide light distribution with prism-cut lens
- Selectable Steady/Flashing modes by jumper
- Fast and easy installation
- Fixed 80dB ±5dB

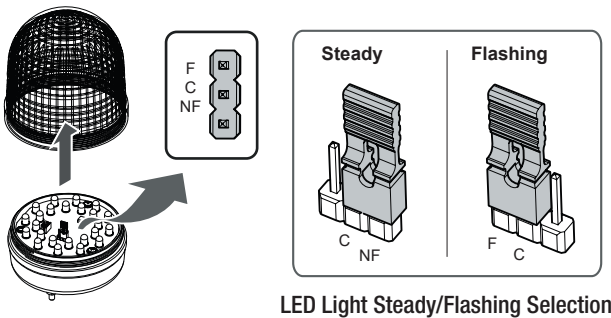


Ordering Information

MS86L - F 02 - R
 ① ② ③

① Light Style	F	Steady & Flashing
	B	Steady & Flashing w/Audible Alarm
② Power Supply	02	24V AC/DC
	FF	90-240V AC
③ Lens Colors	R	Red
	Y	Yellow
	G	Green
	B	Blue
	C	Clear

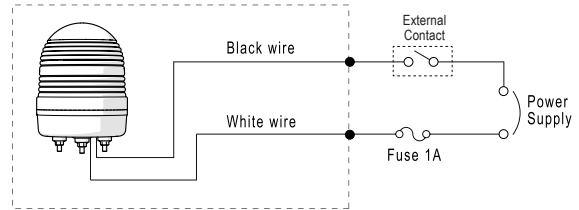
Jumper setting



Specifications

Lighting type	LED Steady/Flashing	
Power Supply	24V AC/DC	90~240VAC
Current Consumption	R	330mA
	Y	
	G	460mA
	B	
	C	
Alarm	30mA	
Flash Rate	80 ±10 time/min ± 5	
Rotation Rate	N/A	
Alarm Sound Level	max. 80 ±5 dB	
Vibration	0.75mm at 10~55 Hz	
Insulation Resistance	100 MΩ minimum (500VDC mega)	
Ambient Temperature	-20~40°C	
Storage Temperature	-20~70°C	
Ambient Humidity	45~85% RH	
Degree of Protection	IP65	
Recommended Wire Size	PUR Ø5/PVC Ø1.25 2P 0.3SQ, 300mm	
Weight	150g	
Certificate/Compliance	RoHS, UL	

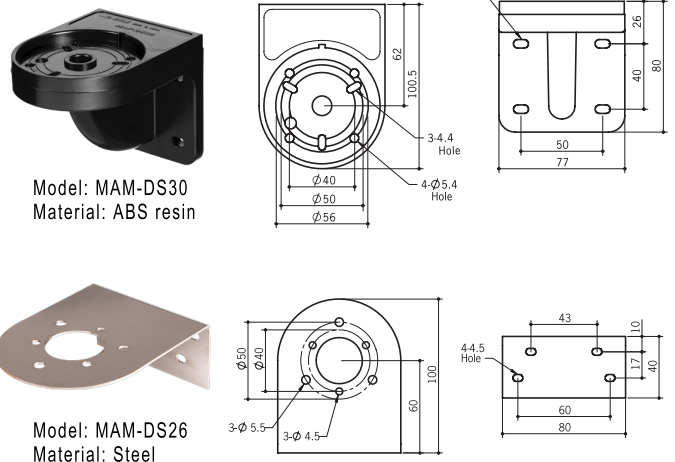
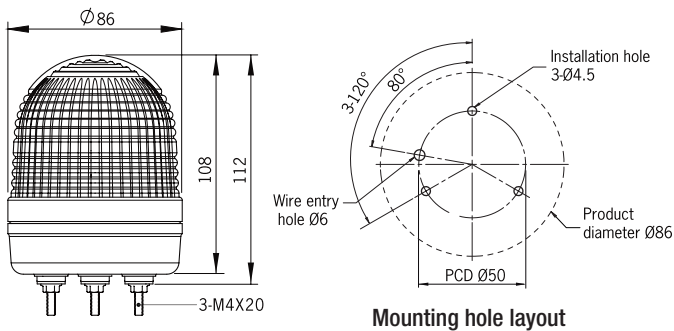
Wiring Diagram



Wall mounting options (for all MS86 Series)

Dimensions

unit: mm



- Outstanding visibility from distance •
- PCB module style Xenon lamp •
- Fast and easy replacement of lamp •
- IP65 rated •

MS86S Series

Ø86mm LED Xenon Strobe Lights



Specifications

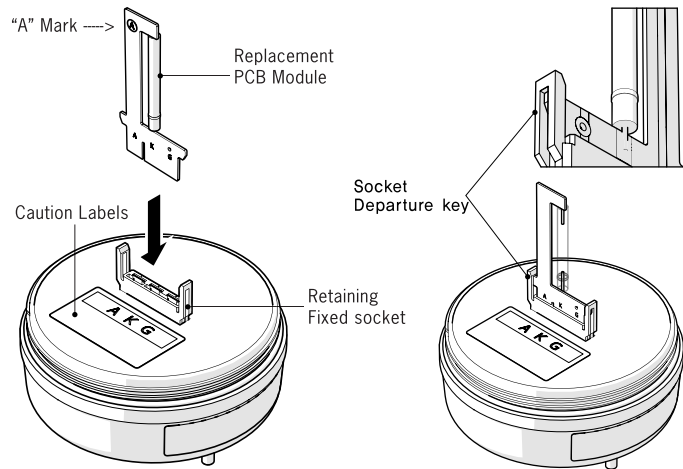
Lighting type	Xenon strobe		
Models	S00	N10	N20
Power Supply	12~24VAC/DC	110VAC	220VAC
Current Consumption	0.08~0.15A	0.07A	0.03A
Flash Rate	60 times/minute ± 3%		
Vibration	0.75mm at 10~55 Hz		
Insulation Resistance	100 MΩ minimum (500VDC mega)		
Ambient Temperature	-20~40°C		
Storage Temperature	-20~70°C		
Ambient Humidity	45~85% RH		
Degree of Protection	IP65		
Recommended Wire Size	UL 2464, 22 AWG X 2C, 300mm		
Weight	300g	200g	
Certificate/Compliance	RoHS, UL		

Ordering Information

MS86S - S00 - R
 ① ②

① Power Supply	S00	12-24V AC/DC
	N10	110V AC
	N20	220V AC
② Lens Colors	R	Red
	Y	Yellow
	G	Ground
	B	Black
	C	Clear

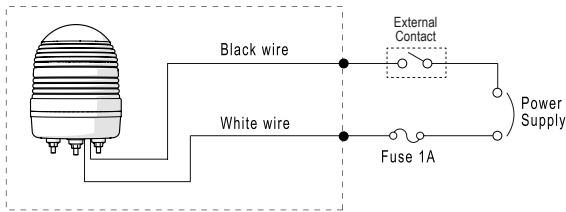
How to install Xenon bulb



The new lamp should be inserted firmly to match the same signal A K G (or A G K) mark. Printed "A" in circuit and label.

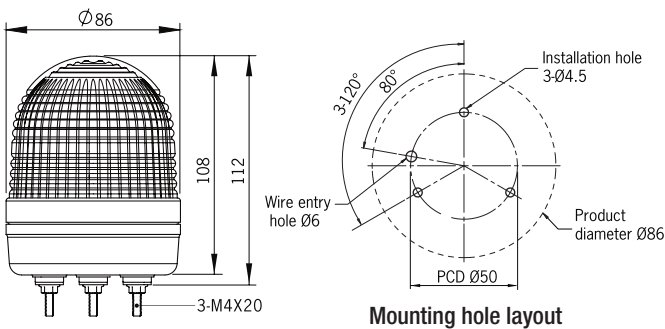
- ⚠ - If you insert reverse direction, the lamp can not operate.
- Insert the lamp circuit board correctly. not to inclined.

Wiring Diagram



Dimensions

unit: mm



Supplier No.	MS86S-LAMP-02	MS86S-LAMP-10	
	Description. Xenon Lamp I - Type, 3W 12~24V Lamp life: 1,000,000 Frequency. (2,000 hours)		Description. Xenon Lamp U - Type, 6W AC110V / 220V Lamp life: 1,000,000 Frequency. (2,000 hours)



MS86T Series

Ø86mm High Intensity LED
Steady, Flashing, & Rotating Lights



- Extremely high light output using unique LED technology
- Outstanding visibility at distance
- Flashing Cycles : 2 patterns (Selectable by a switch)
- Adjustable flashing or rotating cycles
- Built-in audible alarm with adjustable volume

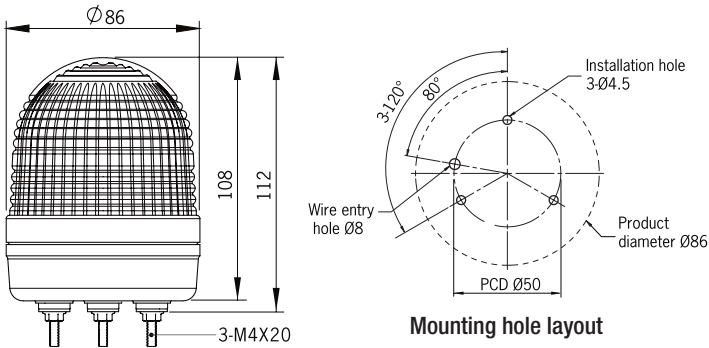
Ordering Information

MS86T - ① R - ② 02 - ③ R

① Light Style	R	Steady, Flashing & Rotating
	B	Steady, Flashing & Rotating w/Alarm
② Power Supply	00	12-24V AC/DC
	FF	90-240V AC
③ Lens Colors	R	Red
	Y	Yellow
	G	Green
	B	Blue
	C	Clear

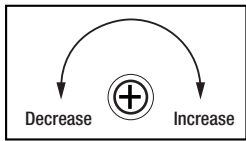
Dimensions

unit: mm

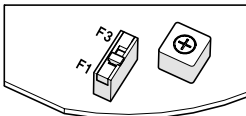


Feature settings

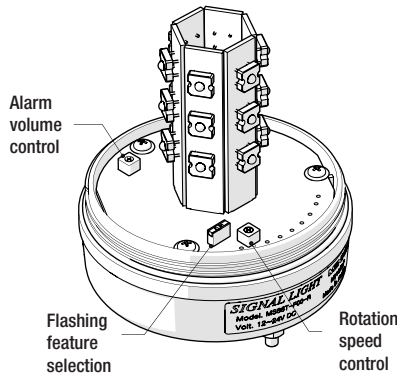
- Alarm volume control
- Rotation speed control



- Flashing feature selection



F1: 80±10 times per minute
F3: 240±10 times per minute
(emergency signal display light)

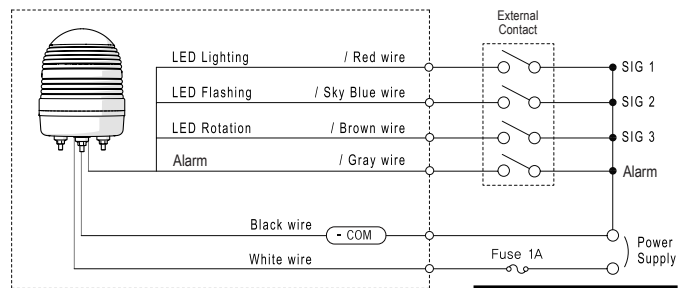


Specifications

Lighting type	LED Steady/Flashing/Rotating	
Power Supply	12~24VAC/DC	90~240VAC
Current Consumption	R	0.4A(w/Alarm 0.55A)
	Y	0.34A (w/Alarm 0.48A)
	G	0.3A (w/Alarm 0.45A)
	B	0.37A (w/Alarm 0.52A)
	C	0.28A (w/Alarm 0.42A)
	Alarm	150mA
Flash Rate	F1: 80 ±5 flashes/minute F3: 240 ±10 flashes/minute	
Rotation Rate	Min 60 ~ Max 300rpm (clockwise)	
Alarm Sound Level	10-100 ±5dB at 1m	
Vibration	0.75mm at 10~55 Hz	
Insulation Resistance	100 MΩ minimum (500VDC mega)	
Ambient Temperature	-20~40°C	
Storage Temperature	-20~70°C	
Ambient Humidity	45~85% RH	
Degree of Protection	IP65	
Recommended Wire Size	UL1007/22AWG	
Weight	Approx. 230g	
Certificate/Compliance	RoHS, UL	

Wiring Diagram

12-24V AC/DC



No polarity for DC applications.

90~240V AC

