

- 3 Colors in 1 LED modular components
- Bright & even light distribuion with prism-cut lenses
- Multi-functional LED signal light
- Flashing Cycles : 2 patterns (Selectable by a switch)
- Optional Audible Alarm with 100dB (adjustable volume)

MS115M Series

Ø115mm 3 color in 1 LED
Steady & Flashing Lights



Ordering Information

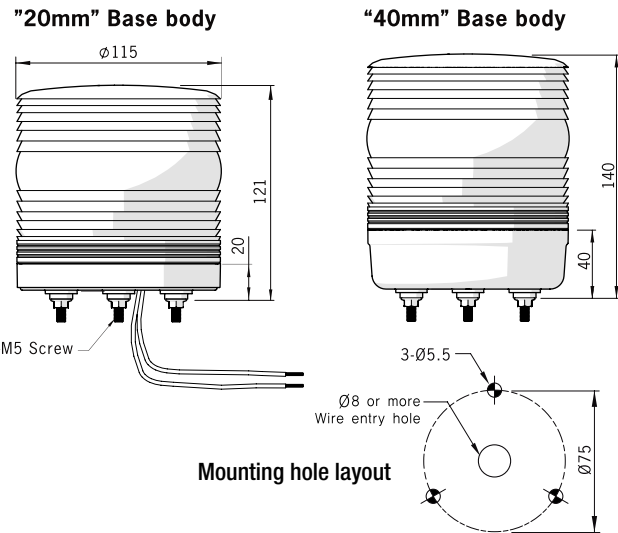
MS115M - F 00 - RYG
① ② ③

① Style	F	Steady & Flashing
	B	Steady & Falshing w/Alarm
② Power Supply	00	12-24V AC/DC
	FF	90-240V AC
③ Colors	RYG	Red, Yellow and Green
	RGB	Red, Green and Blue



Dimensions

unit: mm

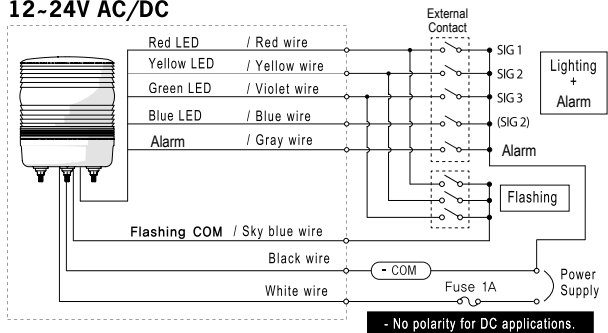


Specifications

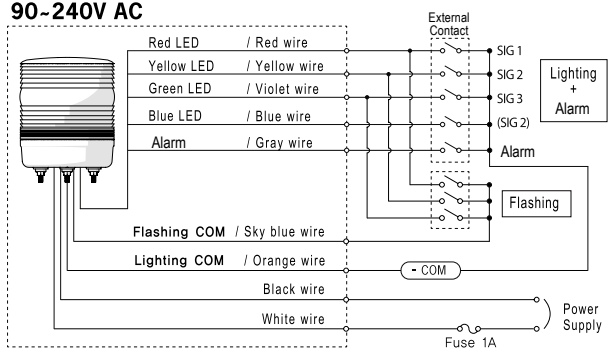
Lighting type	LED Steady, Flashing + Alarm	
Power Supply	12~24VAC/DC	90~240VAC
Current Consumption	RGB/RYG	435~605mA±10% 60~130mA±10%
	Alarm	150mA
Flash rate	F1: 80 ±5 flashes/min., F3: Continuous 4 flashes 80 ±5 flash/min.	
Alarm Sound Level	10~100 ±5 dB at 1m: Volume adjustable	
Vibration	0.75mm at 10~55Hz	
Ambient Temp.	-20~40°C	
Storage Temp.	-20~70°C	
Ambient Humidity	45~85% RH	
Degree of Protection	IP65	
Recommended Wire Size	UL1007/22AWG	
Weight	Approx. 400g	
Certificate/Compliance	RoHS, UL	

Wiring Diagram

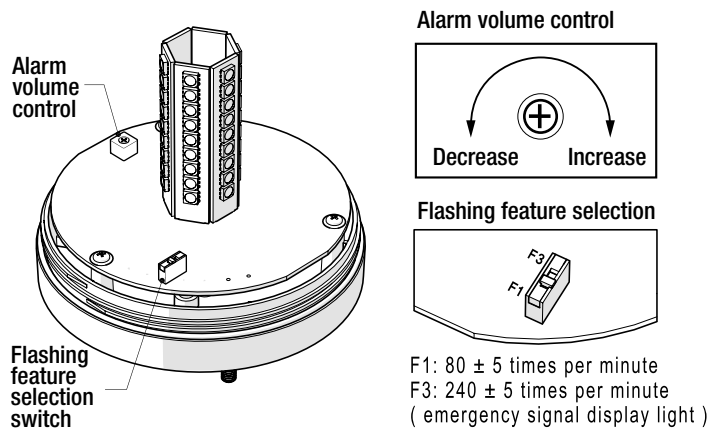
12-24V AC/DC



90-240V AC



Feature settings



See page B1 - B2
for mounting options and accessories

Tower Lights

Beacon Lights

LED Indicators Pilot Lamps

Buzzer Alarms

Pushbutton Switches

Limit Switches

Foot Switches

SSR

Relay & Sockets

Relay Terminal Blocks

Terminal Blocks

Fuse Holders

Enclosures

C12