

# MT5C/8C Series

Ø56mm/Ø85mm



- Optional LED bulbs available
- Selectable Steady or Flashing Modes
- Prism-cut lenses for even light distribution
- Various mounting options
- Lead wire connection
- Add-on Audible Alarm (80 dB) kit available
- NEMA 12, 3R / IP54 rated



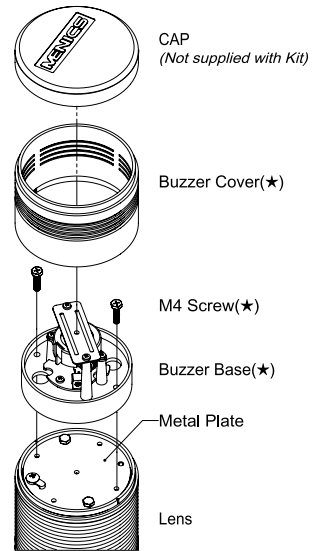
## Ordering Information

MT	5	C	5	A	L	-	RYGBC
	①	②	③	④	⑤		⑥
Lens Diameter	5	Ø56mm					
	8	Ø85mm					
Light Style	C		Steady & Flashing				
Number of Stacks	1	1 Light					
	2	2 Lights					
	3	3 Lights					
	4	4 Lights					
	5	5 Lights					
Power Supply	A	24V AC/DC					
	B	110~120V AC					
	C	220~240V AC					
⑤ Connection	L		Lead Wires				
⑥ Lens Colors (top to bottom)	R	Red					
	Y	Yellow					
	G	Green					
	B	Blue					
	C	Clear					

## Specifications

Power Supply		24VAC/DC	110~120VAC	220~240VAC	
Current Draw	Bulb	1 Stack	0.4 A	0.09 A	0.04 A
		2 Stack	0.8 A	0.18 A	0.08 A
		3 Stack	1.3 A	0.27 A	0.12 A
		4 Stack	1.7 A	0.36 A	0.16 A
		5 Stack	2.0 A	0.45 A	0.20 A
	Buzzer	30 mA			
LED Life-Span		10,000 hours (minimum)			
Degree of Protection		IP54 (IP40 with buzzer)			
Alarm Sound Level		80 ± 5dB at 1 meter			
Flashing rate		80 times/minute			
Rating		NEMA 12, 3R			
Certificate/compliance		UL, CE, RoHS			
Vibration		3mm at 10~55Hz			
Ambient Temp.		-15°C~40°C			
Ambient Humidity		45~85% RH			
Recommended Wire Size		1007 UL / 22 AWG			

## Audible Alarm Kit



MPZ - 56 A  
① ②

① Power Supply	
A	24V AC/DC, 80dB (30mA)
B	110~120V AC, 80dB (30mA)
C	220~240V AC, 80dB (30mA)

② Buzzer Size (Diameter)	
56	Ø56mm (for MT5C Series)
85	Ø85mm (for MT8C Series)

## Replacement Parts

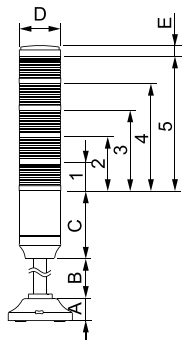
\*Note: Max. number of tier including Buzzer is 5.

LED		LED-T15-D-12-C	12V DC
		LED-T15-D-24-C	24V DC
		LED-T15-D-110-C	110~120V AC
BULB		MAB-T15-D-024-10	24V AC/DC, 10W
		MAB-T15-D-120-10	110~120V AC, 10W
		MAB-T15-D-240-10	220~240V AC, 10W
Lens	-	MAL-5(□)	Ø56mm
		MAL-8(□)	Ø85mm

(□): indicates color of LED or Lens; R, Y, G, B or C

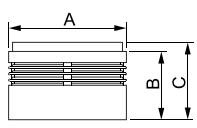
## Dimensions

unit: mm



Symbol	Model		
	MT4B	MT5C MT5B	MT8C MT8B
A	29	29	29
B	185	185	185
C	72	95	108
D	45	56	85
E	10.5	15	15
1	46	68	68
2	92	136	136
3	138	204	204
4	184	272	272
5	230	340	340

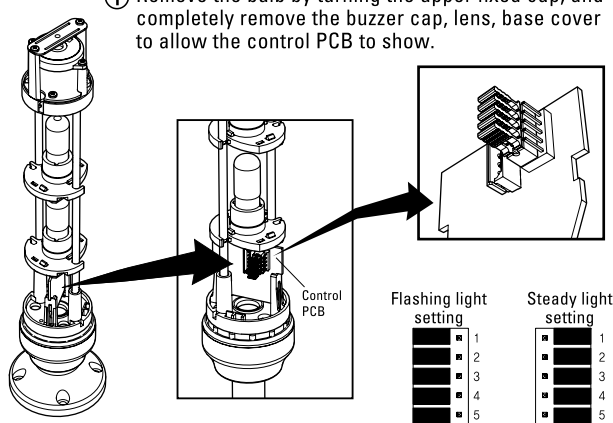
### • Audible Alarm Kit MPZ-56 MPZ-85



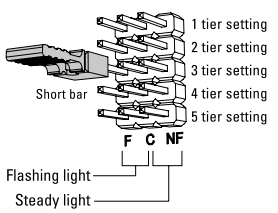
Symbol	MPZ-56	MPZ-85
A	56	86
B	48	50
C	54	56

## Lighting feature setting

① Remove the bulb by turning the upper fixed cap, and completely remove the buzzer cap, lens, base cover to allow the control PCB to show.



② The shortcircuit bar setting position of control PCB for all the shipped products is set at flashing function. In case of changing a signal of desired tier steady light function, take out the shortcircuit bar of the desired tier of the control PCB, move and insert it sideways by one space.



See page B1 - B2  
for mounting options and accessories

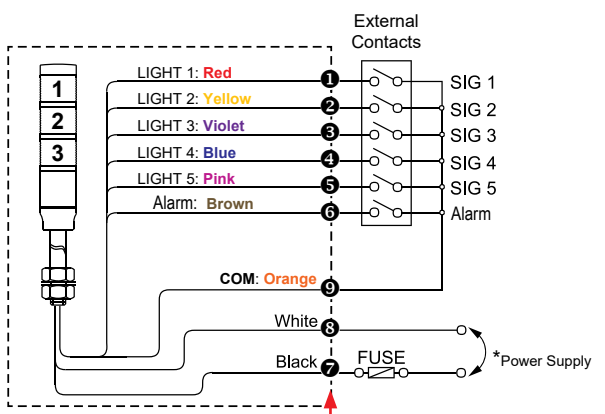
## Wiring Diagram

### MT5C/8C

#### 24V AC/DC

MT5C□AL-□□□□ MT8C□AL-□□□□

#### Steady & Flashing (w/Alarm)



\* No polarity for DC applications.

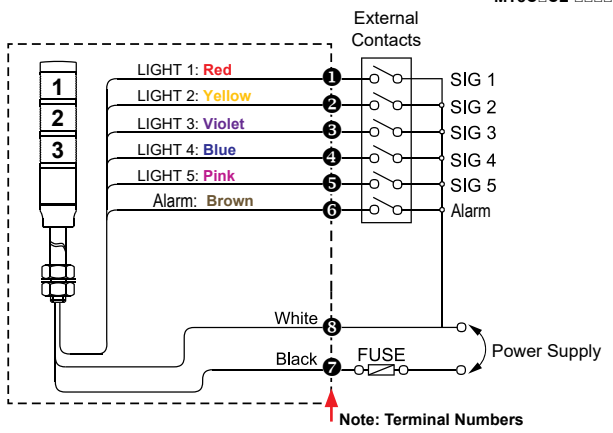
Note: Terminal Numbers

#### 110~120V AC, 220~240V AC

MT5C□BL-□□□□  
MT8C□BL-□□□□

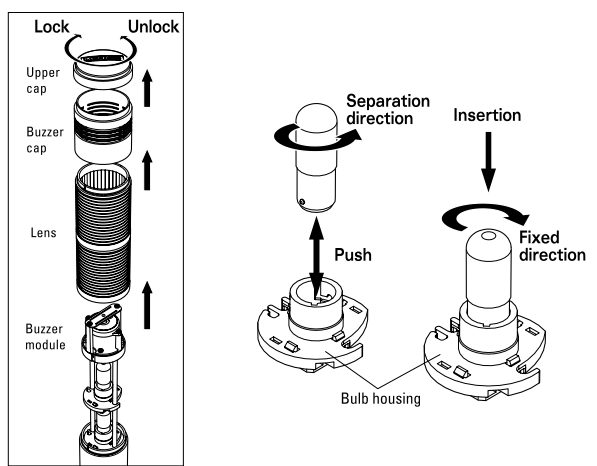
#### Steady & Flashing Lights (w/Alarm)

MT5C□CL-□□□□  
MT8C□CL-□□□□



Note: Terminal Numbers

## How to change bulbs



Tower Lights

Beacon Lights

LED Indicators  
Pilot Lamps

Buzzer Alarms

Pushbutton  
Switches

Limit  
Switches

Foot  
Switches

SSR

Relay  
&  
Sockets

Relay  
Terminal  
Blocks

Terminal  
Blocks

Fuse  
Holders

Enclosures