

## SUPPLY, INPUT & OUTPUT CONNECTIONS

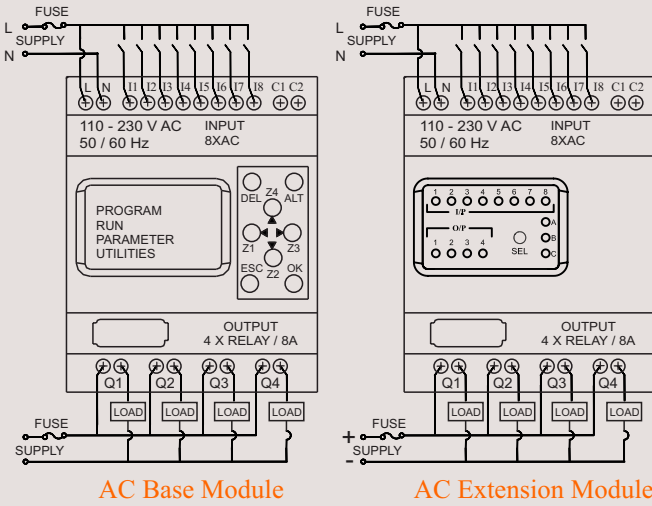


Fig. 1

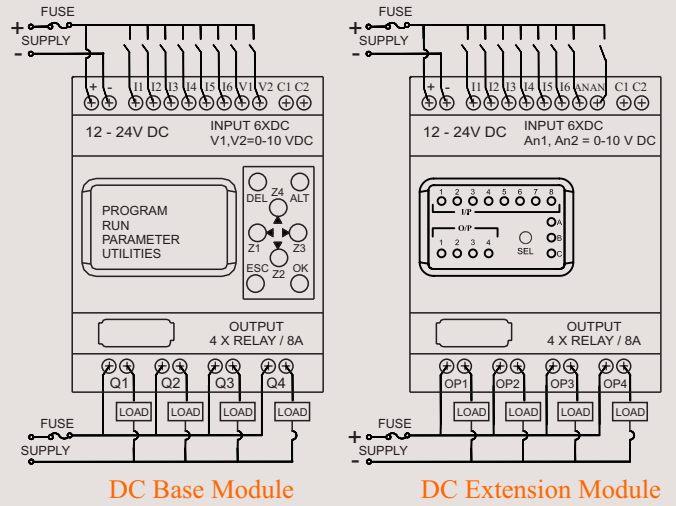


Fig. 2

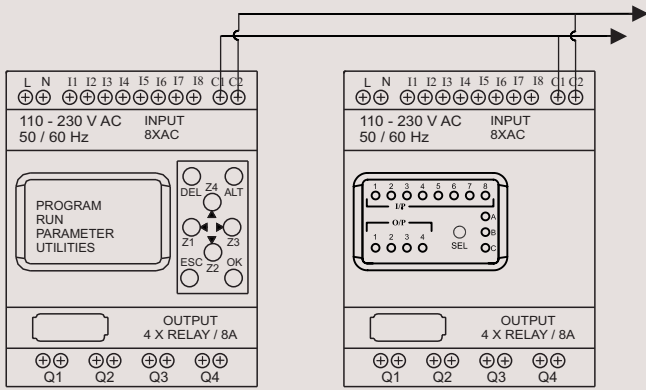


Fig. 3

### Connection Between Base Module & Extension Module

Same for both AC & DC

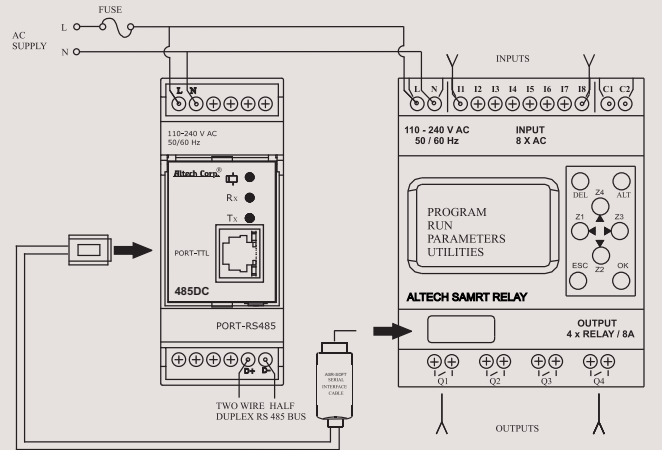


Fig. 4

### Connection Between Base Module & Communication Module

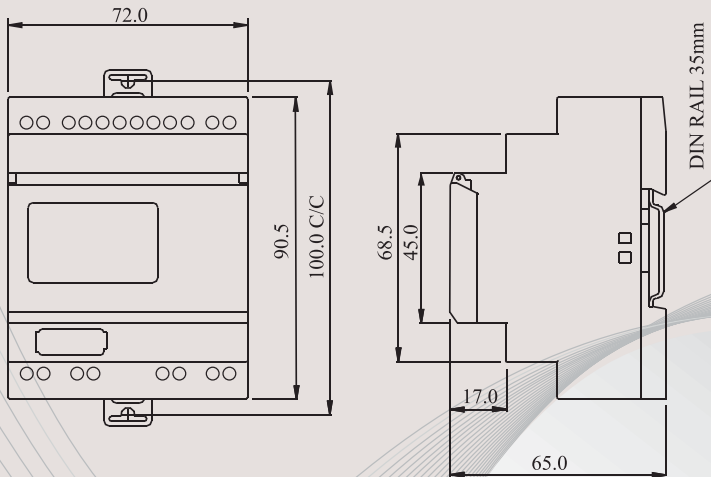
### Power Supply Wiring

1. Although the Altech Smart Relay has been designed to withstand the negative effects of any electrical noise that might be present in the incoming power supply it may be necessary to insert an isolation transformer between the supply and the line terminals of the Altech Smart Relay.
2. While using the DC Altech Smart Relay, run the 24 VDC Input line away from the 100 V AC and 200 V AC lines.

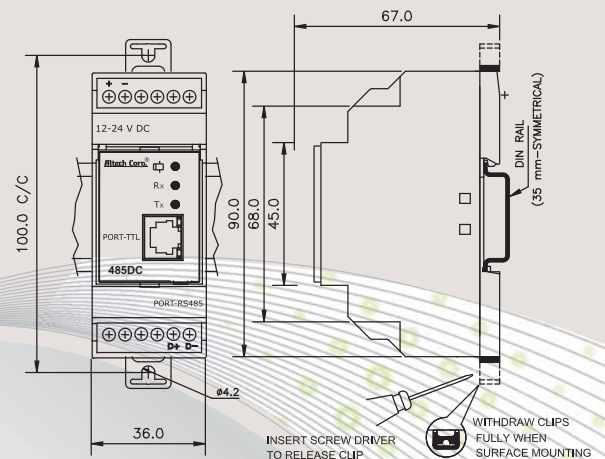
### Wiring of Input/Output

1. Separate the Input lines and output.
2. When the output lines are running close to power supply lines or the Input lines use batch shielded and ground them.

## MOUNTING DIMENSIONS (mm)



Dimensions for Base / Extension Module



Dimensions for RS485 Communication Module