


## STAINLESS STEEL ENCLOSED SAFETY SWITCHES / ISOLATORS 16-80A

- Designed for hygienic and heavy environments
- Easy to install and to keep clean
- IP66, stainless steel enclosure
- Acid proof, AISI 316
- Rainhood protection with angled top
- Padlockable stainless steel handle 

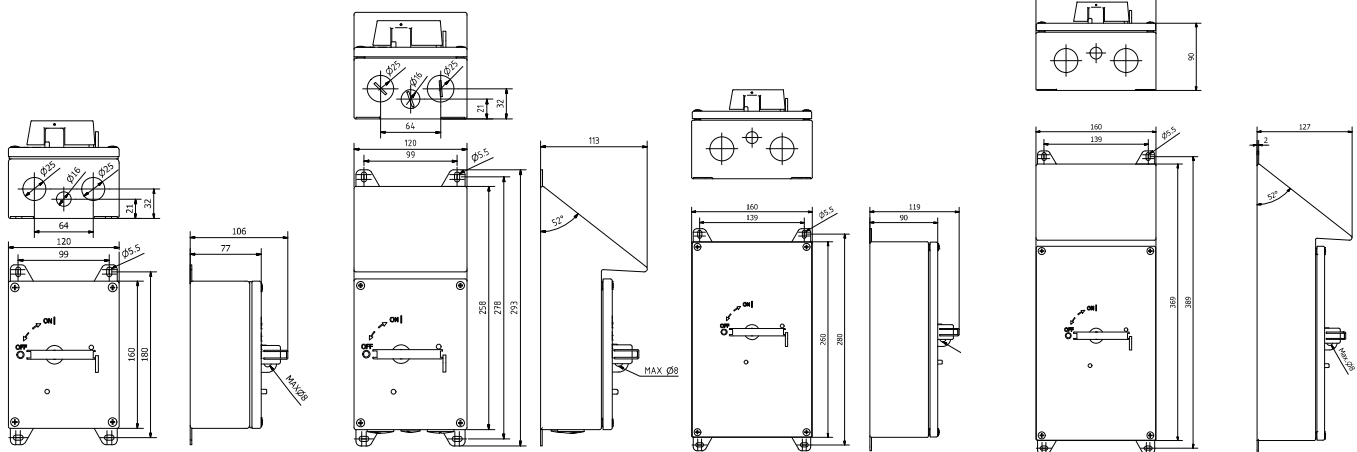


H23T

H24T

H32T

H34T



Type		AC-21	400 V 415 V 690 V	AC-22	400 V 415 V 690 V	AC-23	400 V 415 V	AC-23	690 V	EAN-Code 6419410...		Enclosure & handle		Weight kg	
Without angled top	With angled top		I <sub>n</sub> / A		I <sub>n</sub> / A	I <sub>n</sub> / A	P / kW	I <sub>n</sub> / A	P / kW	Without angled top	With angled top	Without angled top	With angled top	Without angled top	With angled top
<b>3-pole</b>															
KER 316R	KER 316RS	25 A	16 A	16 A	7.5 kW	16 A	11 kW	...306550	...306611	H23T	H24T	1.2	1.7		
KER 325R	KER 325RS	40 A	25 A	25 A	11 kW	25 A	22 kW	...306567	...306628	H23T	H24T	1.2	1.7		
KER 340R	KER 340RS	63 A	40 A	40 A	22 kW	32 A	30 kW	...306574	...306635	H23T	H24T	1.2	1.7		
KER 363R	KER 363RS	80 A	63 A	40 A	22 kW	40 A	37 kW	...306703	...307052	H32T	H34T	2.3	2.9		
KER 380R	KER 380RS	100 A	80 A	63 A	30 kW	40 A	37 kW	...306710	...307069	H32T	H34T	2.3	2.9		
<b>4-pole</b>															
KER 416R	KER 416RS	25 A	16 A	16 A	7.5 kW	16 A	11 kW	...306581	...306642	H23T	H24T	1.3	1.8		
KER 425R	KER 425RS	40 A	25 A	25 A	11 kW	25 A	22 kW	...306598	...306659	H23T	H24T	1.3	1.8		
KER 440R	KER 440RS	63 A	40 A	40 A	22 kW	32 A	30 kW	...306604	...306666	H23T	H24T	1.3	1.8		
KER 463R	KER 463RS	80 A	63 A	40 A	22 kW	40 A	37 kW	...306727	...307076	H32T	H34T	2.4	3.0		
KER 480R	KER 480RS	100 A	80 A	63 A	30 kW	40 A	37 kW	...306734	...307083	H32T	H34T	2.4	3.0		

35 Royal Road, Flemington, NJ 08822-6000

(tel.) 908-806-9400 • (fax) 908-806-9490 • [www.altechcorp.com](http://www.altechcorp.com)

# Altech Corp.®

---



35 Royal Road, Flemington, NJ 08822-6000  
(tel.) 908-806-9400 • (fax) 908-806-9490 • [www.altechcorp.com](http://www.altechcorp.com)