

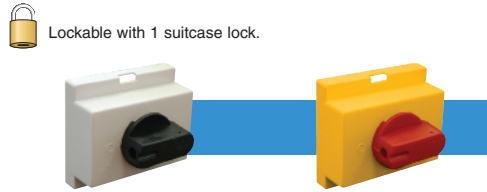
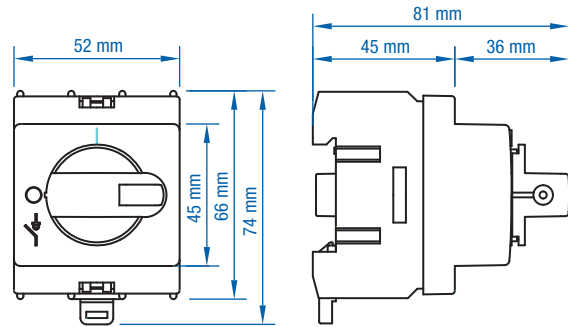
Direct Handle Accessories and Mounting Alternatives

DIRECT HANDLES

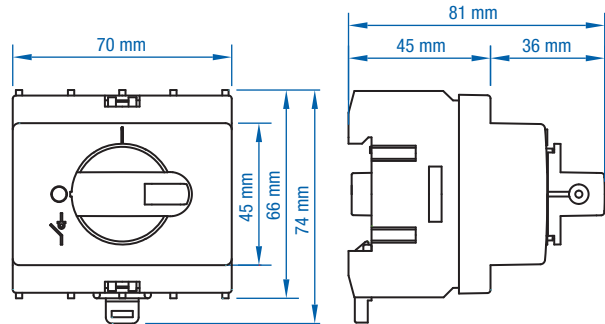
Improved design with metal shaft. Use for all your "inside the panel" applications. 1 suitcase lock location.



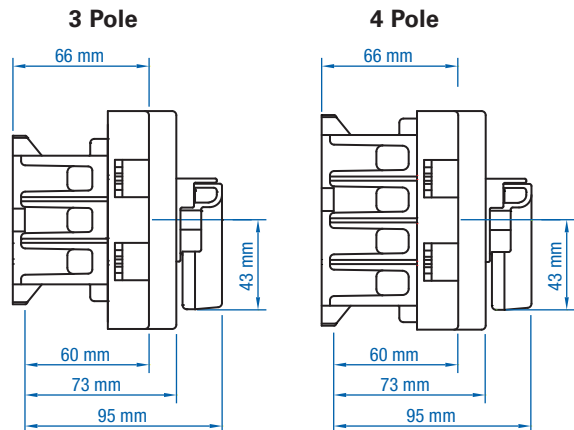
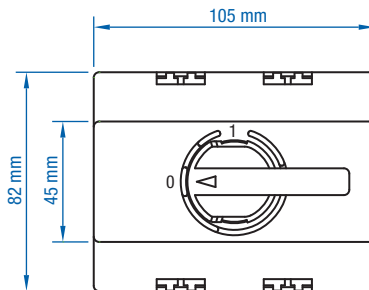
Cat. No.	K/KU3P	K/KU3PY/R
Color	Black	Yellow/Red
For use with	KU models (3P)	KU models (3P)



Cat. No.	K/KU4P	K/KU4PY/R
Color	Black	Yellow/Red
For use with	KU models (4P)	KU models (4P)



Cat. No.	K/VKA3-4P	K/VKA3-4PY/R
Color	Black	Yellow/Red
For use with	VKA models (3/4P)	VKA models (3/4P)

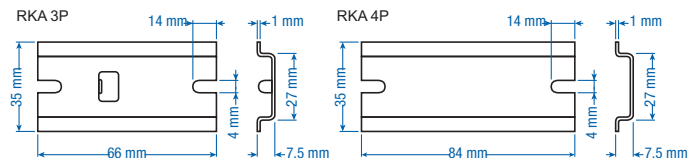


ALUMINUM DIN RAIL

Panel mount option for small Disconnect Switches.



Cat. No.	RKA 3P	RKA 4P
For Use With	KU325/40/63N	KU425/40/63N



NOTE:

In the rare case that your mounting hardware (screws) for DIN Rail interfere with the enforcement studs in the back of the Motor Disconnect Switch please use smaller ($\leq M3$ or equivalent) flathead screws or change your DIN Rail to the 15mm high version.

Dimensions (to convert to inches multiply by 0.03937)