

Accessories / Cable Assemblies

Model / Description

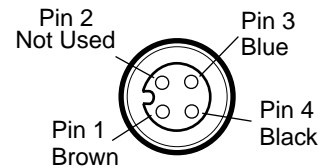
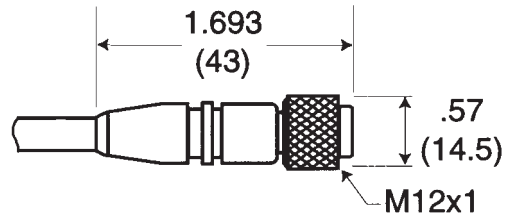
Dimensions

Wire Color Code

8000-5110

2m (6ft.) straight
4 pin plug & cable
for DC sensors
(sink or source) with
connectors 45,50,63 & 65

Use 8000-5115
for 5m lengths

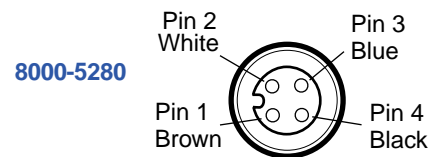
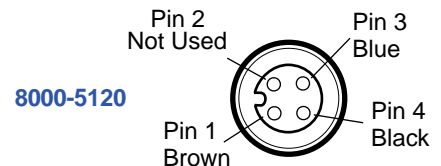
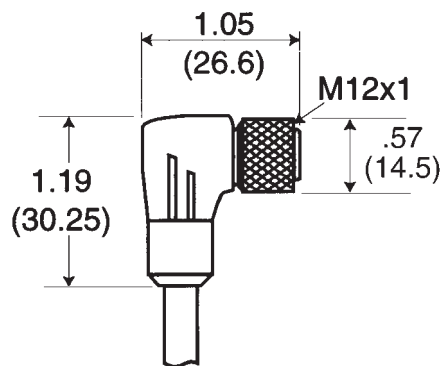


8000-5120 & 8000-5280

2m (6ft.) right angle
4 pin plug & cable
for DC sensors
(sink or source) with
connectors 45,50,63 & 65

8000-5120 – Use 8000-5125
for 5m lengths

8000-5280 – Use 8000-5285
for 5m lengths



Technical Data / Connectors and Receptacles: 8000-5110, 8000-5120, 8000-5280

Application Class: HNE acc. to DIN 40040
-40°C to +90°C

Materials:
Molded Body: PUR (Polyurethane)
Contact: Copper alloy, gold over
nickel plating
Cable: PVC, self extinguishing, yellow
Coupling Nut: Brass, nickel plated

Mechanical Data:
Protection: IP68, NEMA 6P
(only in fully locked position)

Electrical Data:

Contact Resistance: $\leq 5\text{m}\Omega$
Current Rating: 3A
Working Voltage: 250V
Dielectric Withstanding
Voltage: 2 KVAC RMS/60 seconds
Insulation Resistance: $>10^9\Omega$

Cable:

22 AWG: AWM 2661; Hi-Flex bare,
26 x 36 or 22 x 36 copper stranding,
yellow jacket

Agency Approvals:

UL Recognition: E104696
CSA Certified: LR101546-1