

## UL-Series - UL489 Miniature Molded Case Circuit Breaker - 2 pole C-Trip - AC



Two Pole



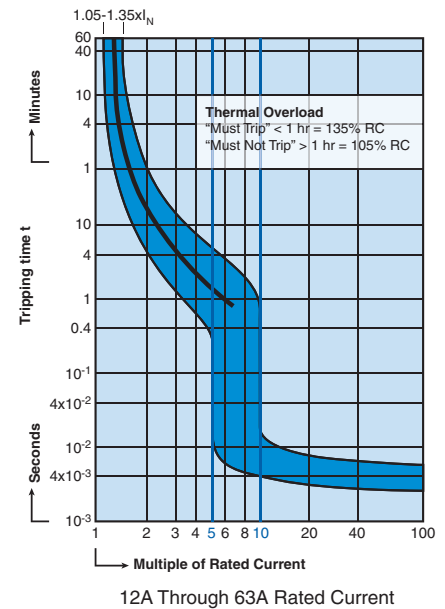
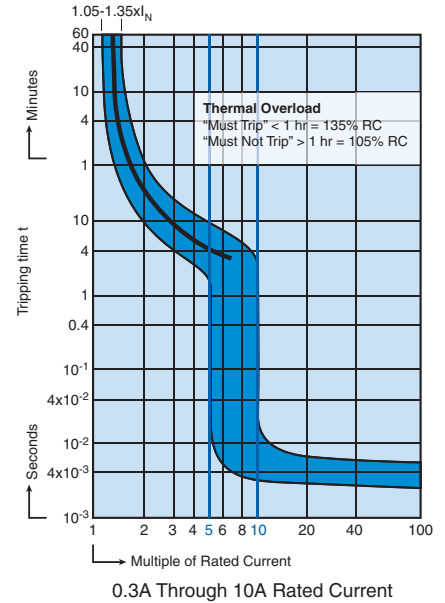
Standard Pack: 6

Weight:  
0.3-32A:  
1.74kg (3.83lb.)  
40-63A:  
1.98kg (4.37lb.)

Rated Current	Type/ Cat. No.	Rated Voltage
0.3A	2C03UL	480Y/277V AC
0.5A	2C05UL	480Y/277V AC
1.0A	2C1UL	480Y/277V AC
1.6A	2C1.6UL	480Y/277V AC
2.0A	2C2UL	480Y/277V AC
3.0A	2C3UL	480Y/277V AC
4.0A	2C4UL	480Y/277V AC
5.0A	2C5UL	480Y/277V AC
6.0A	2C6UL	480Y/277V AC
8.0A	2C8UL	480Y/277V AC
10A	2C10UL	480Y/277V AC
12A	2C12UL	480Y/277V AC
13A	2C13UL	480Y/277V AC
15A	2C15UL	480Y/277V AC
16A	2C16UL	480Y/277V AC
20A	2C20UL	480Y/277V AC
25A	2C25UL	480Y/277V AC
30A	2C30UL	480Y/277V AC
32A	2C32UL	480Y/277V AC
40A	2C40UL	240V AC
50A	2C50UL	240V AC
60A	2C60UL	240V AC
63A	2C63UL	240V AC

<b>Current/ Voltage Rating</b>	0.3 - 63A/ 240V AC, 0.3-32A/ 480Y/277V AC*
<b>Calibration Temperature</b>	40°C (104°F)
<b>Ambient Temperature</b>	-25°C to +55°C (-13°F to 131°F)
<b>Storage Temperature</b>	-40°C to +70°C (-40°F to 158°F)
<b>Terminal Torque (min/max)</b>	2 Nm (17.7 lb.in.) / 2.5Nm (22.2 lb.in)
<b>Electrical Life</b>	6000 switching cycles ON/ OFF
<b>Mechanical Life</b>	10000 switching cycles ON/ OFF
<b>Vibration Resistance</b>	> 15g according to DIN EN 60069-2-59 during a load with $I_1 = 1.05 \times I_N$
<b>Resistance to mechanical shocks</b>	25g @ 11ms

\*One device dual voltage ratings.



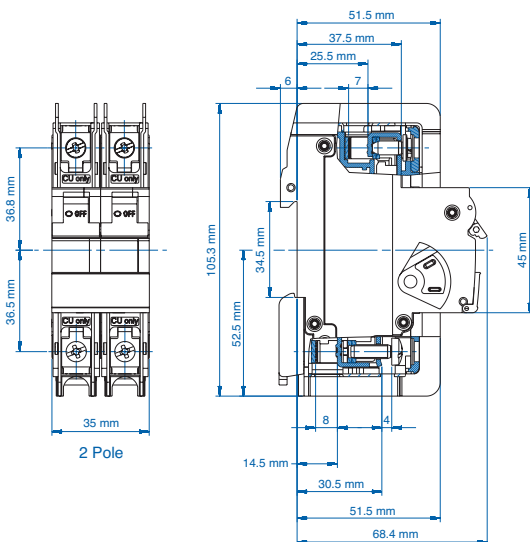
### "C" Magnetic Trip Parameters

Rated current 0.3A to 63A.

1. Hold for a minimum of 100ms at surge of 5 times rated current.
2. Trip in under 100ms at 10 times rated current.

### Short Circuit Interrupting Capacity AC

No. Poles	Type	03-32A	33-63A
2-3	AC	10kA @ 120, 240, 480Y/277V	10kA @ 120 240V



## UL-Series - UL489 Miniature Molded Case Circuit Breaker - 2 pole C-Trip - DC



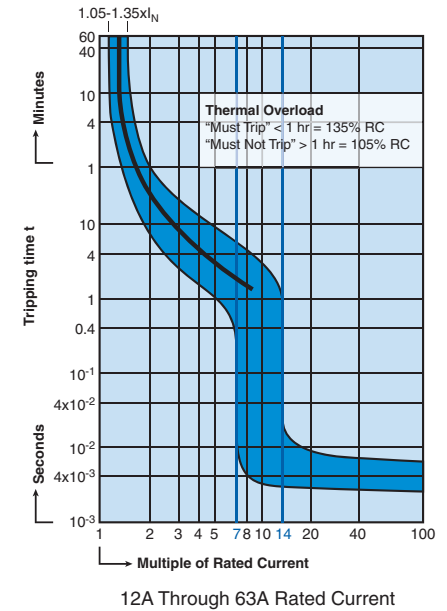
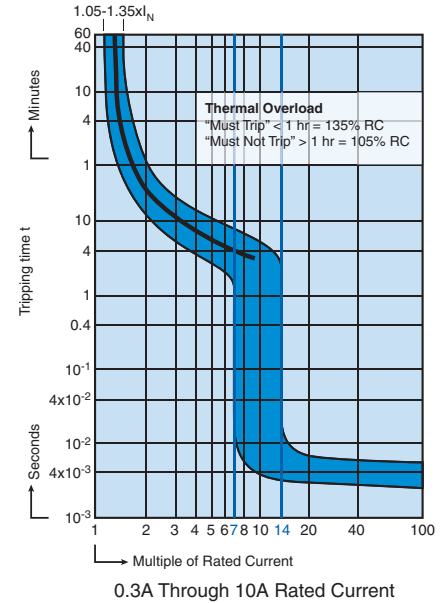
**Two Pole**



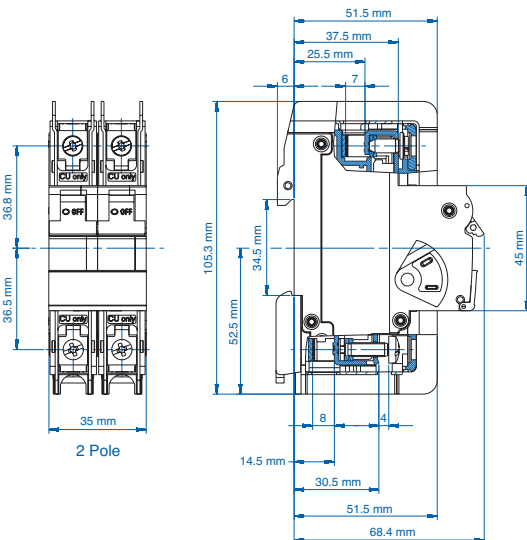
Standard Pack: 6

Weight:  
0.3-32A:  
1.74kg (3.83lb.)  
40-63A:  
1.98kg (4.37lb.)

Rated Current	Type/ Cat. No.	Rated Voltage
0.3A	2C03DL	250V DC
0.5A	2C05DL	250V DC
1.0A	2C1DL	250V DC
1.6A	2C1.6DL	250V DC
2.0A	2C2DL	250V DC
3.0A	2C3DL	250V DC
4.0A	2C4DL	250V DC
5.0A	2C5DL	250V DC
6.0A	2C6DL	250V DC
8.0A	2C8DL	250V DC
10A	2C10DL	250V DC
12A	2C12DL	250V DC
13A	2C13DL	250V DC
15A	2C15DL	250V DC
16A	2C16DL	250V DC
20A	2C20DL	250V DC
25A	2C25DL	250V DC
30A	2C30DL	250V DC
32A	2C32DL	250V DC
40A	2C40DL	250V DC
50A	2C50DL	250V DC
60A	2C60DL	250V DC
63A	2C63DL	250V DC



<b>Current/ Voltage Rating</b>	0.3 - 63A/ 250V DC
<b>Calibration Temperature</b>	40°C (104°F)
<b>Ambient Temperature</b>	-25°C to +55°C (-13°F to 131°F)
<b>Storage Temperature</b>	-40°C to +70°C (-40°F to 158°F)
<b>Terminal Torque (min/max)</b>	2 Nm (17.7 lb.in.) / 2.5Nm (22.2 lb.in)
<b>Electrical Life</b>	6000 switching cycles ON/ OFF
<b>Mechanical Life</b>	10000 switching cycles ON/ OFF
<b>Vibration Resistance</b>	> 15g according to DIN EN 60069-2-59 during a load with $I_1 = 1.05 \times I_N$
<b>Resistance to mechanical shocks</b>	25g @ 11ms



### "C" Magnetic Trip Parameters

Rated current 0.3A to 63A.

1. Hold for a minimum of 100ms at surge of 7 times rated current.
2. Trip in under 100ms at 14 times rated current.

### Short Circuit Interrupting Capacity

DC

No. Poles	Type	0.3-32A	40-63A
2	DC	10kA @ 250V	10kA @ 250V