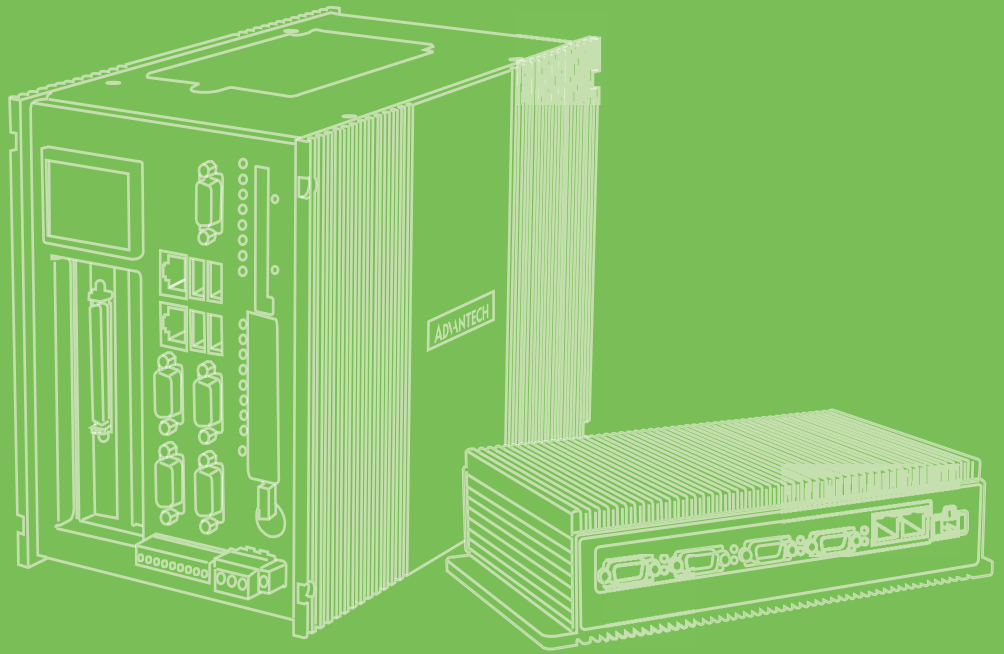


User Manual



## Lockable Kit User Guide

**UNO-2000-LKAE**  
(with 10 sets inside, only  
**UNO-1372GH-E3AE** have 2 sets as  
default package)

**ADVANTECH**

*Enabling an Intelligent Planet*

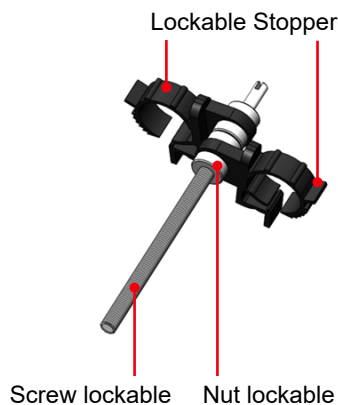
## Purpose

The mainly usage of lockable kit is for fixing external I/O cable with UNO System from any abnormally pulling of cable or accidentally vibration of system. In hazardous location, any sparks will cause exposure and damage the system, with lockable kit, it can make sure all cables been secured tightly on system to prevent the unintentionally drop of cables.

## Part number

UNO-2000-LKAE (with 10 sets inside, only UNO-1372GH-E3AE have 2 sets as default package)

## Lockable kit configuration



### Lockable screw:

To screw into the hole behind I/O on UNO system.

### Lockable Stopper:




Cables need to pass through the lock stopper then screw tightly to fit cable's dimension.

### Lockable Nut:

For Fixing the lock stopper.

## Assembly with UNO System

Follow the 4 STEPs to fix the I/O cable with lockable kit:

STEP 1.	Find the lockable hole on UNO System near the I/O. (UNO-1372GH have 3 holes on front panel, 1 on top cover)	
STEP 2.	Assemble the lockable screw into UNO system.	
STEP 3.	Plug in I/O cable connector by passing through the lockable stopper and make sure the location of stopper and nut on the appropriate place.	
STEP 4.	Adjust the plastic lockable stopper to fit with cable's dimension and length.	