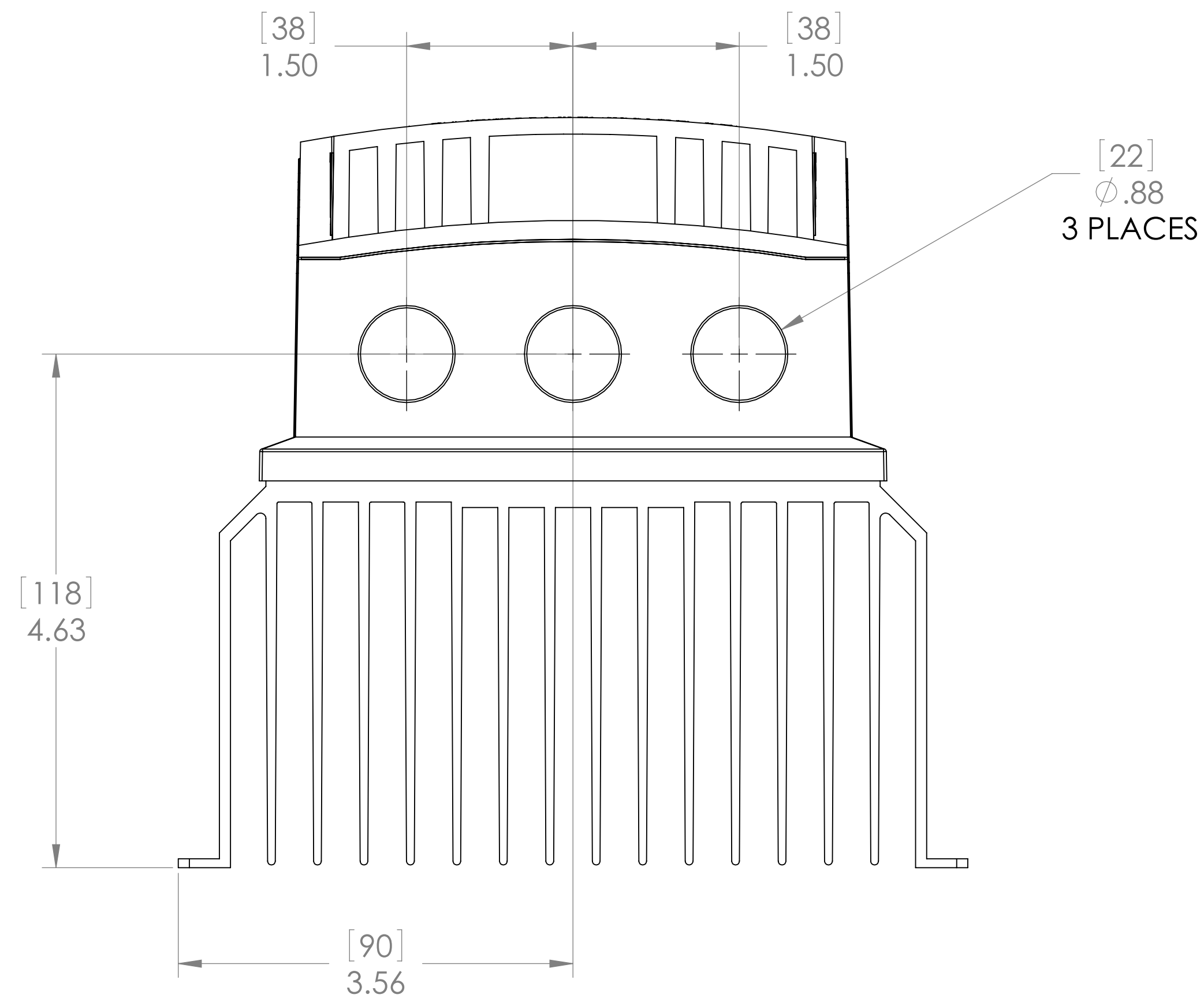
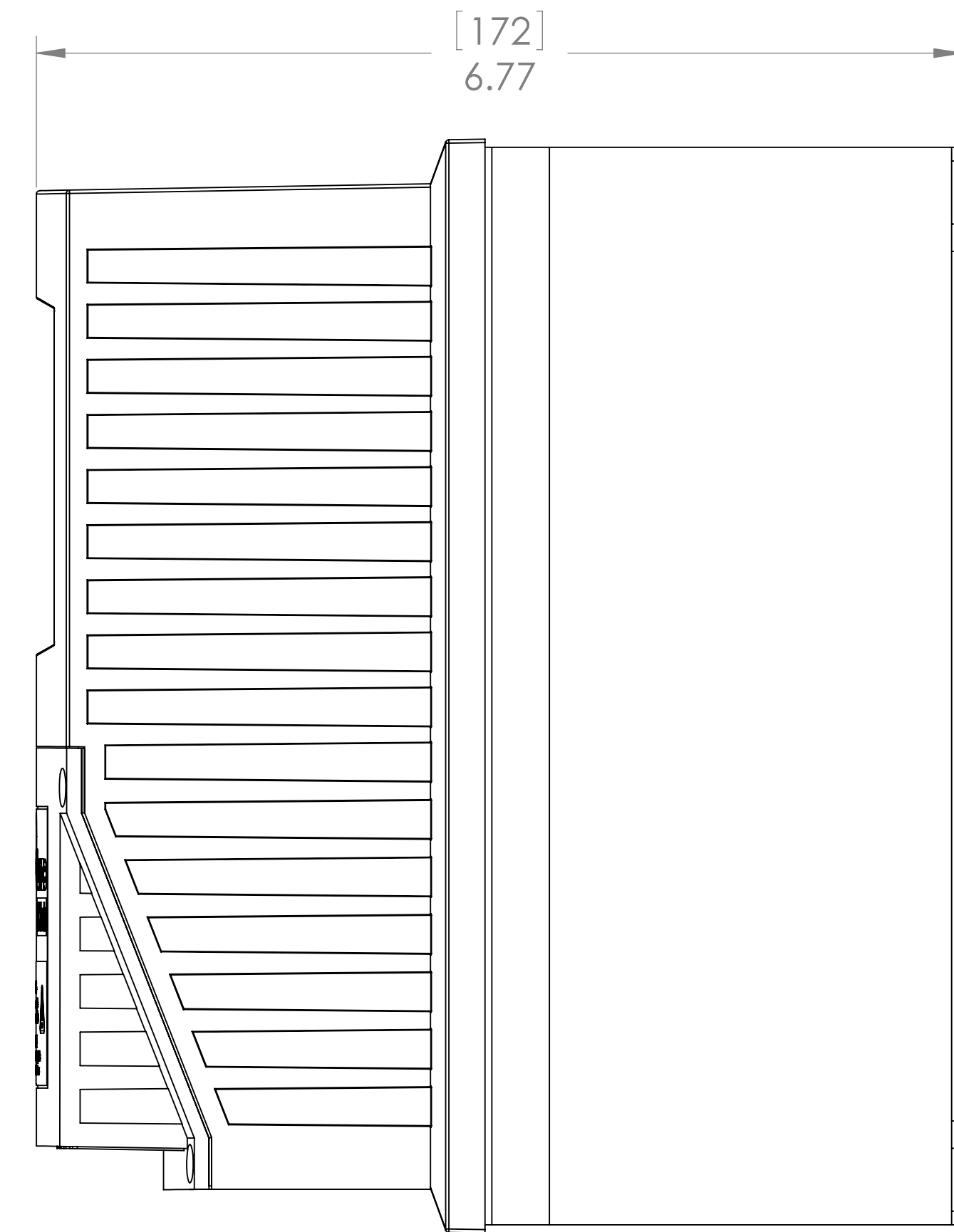
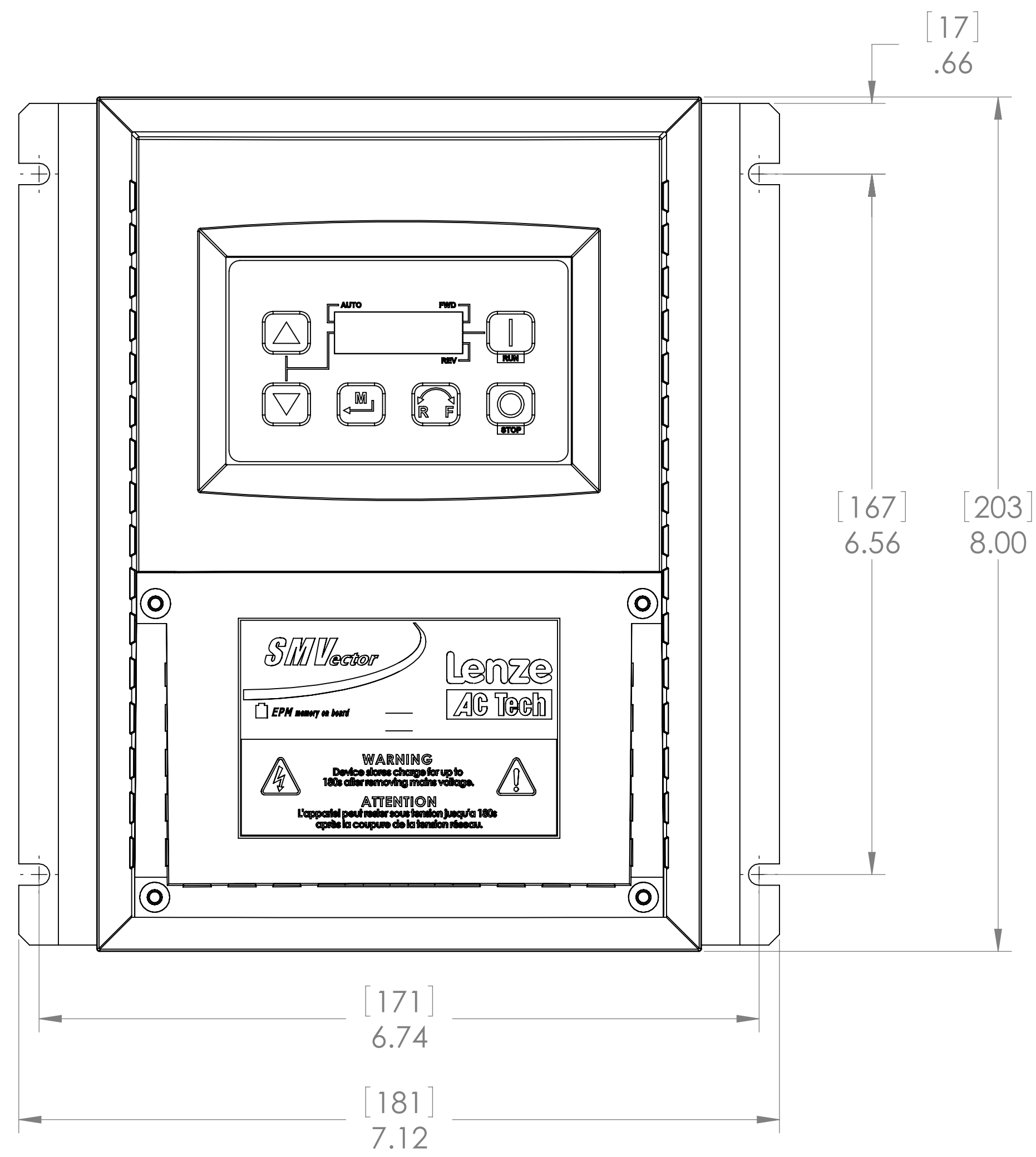
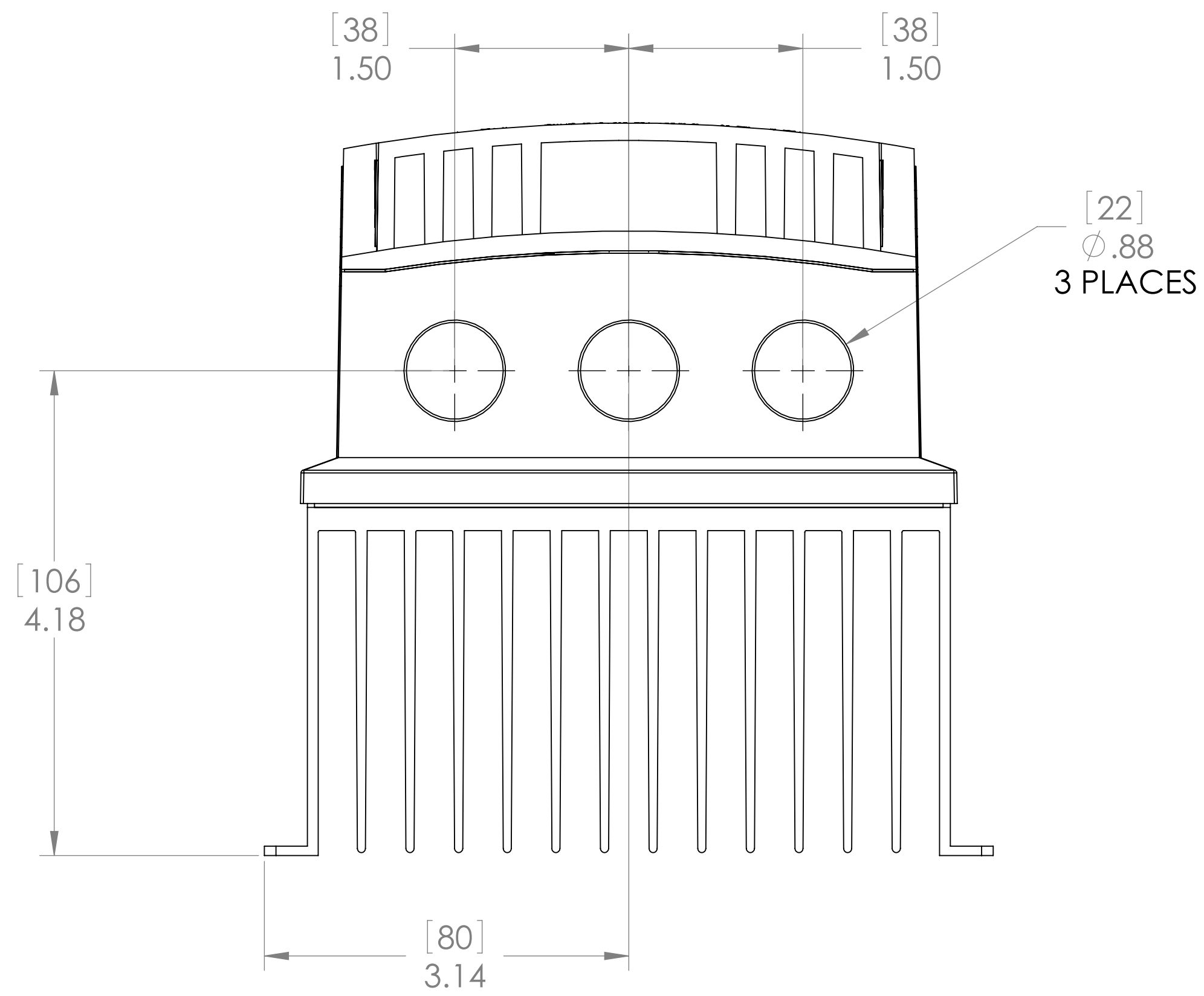
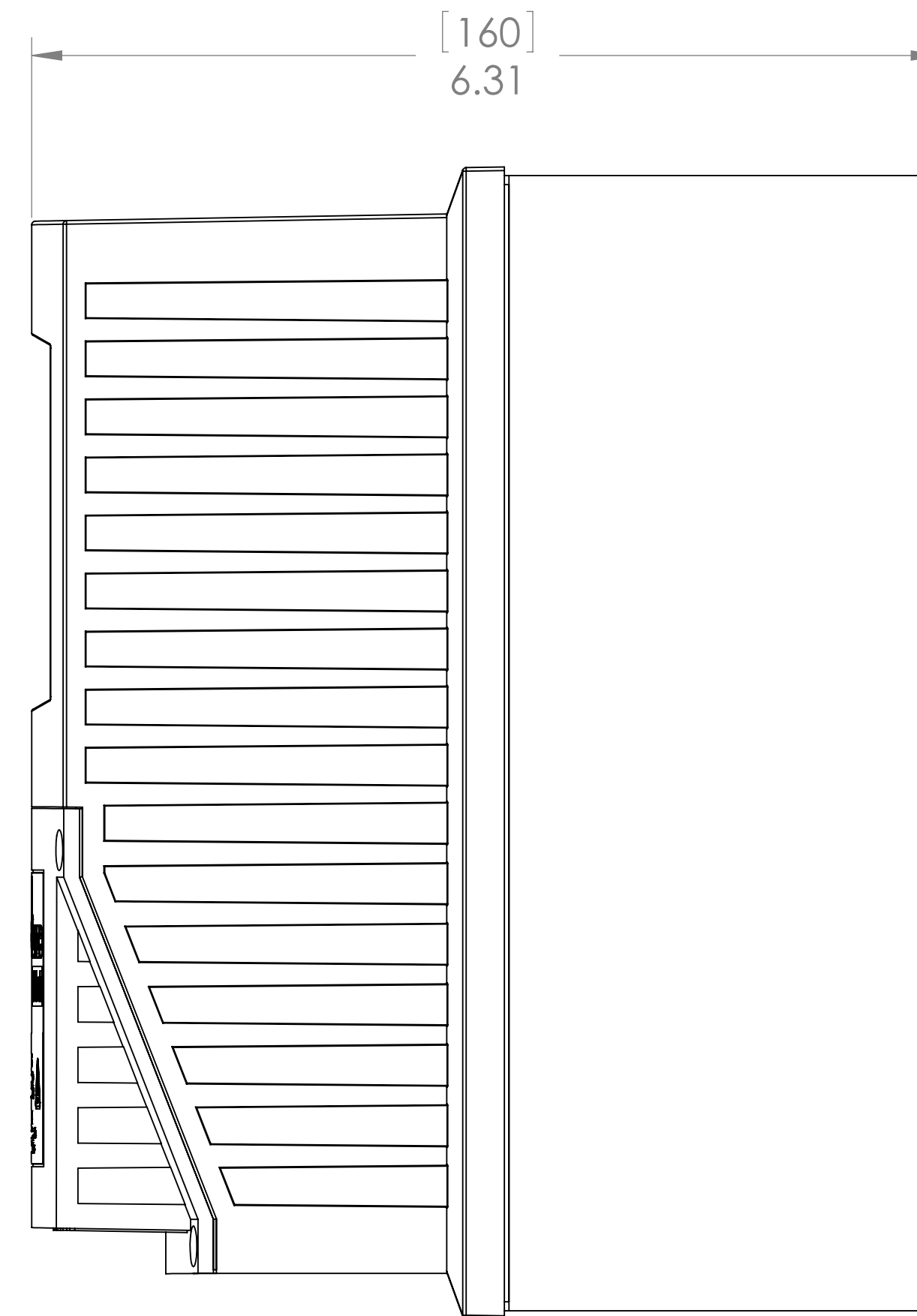
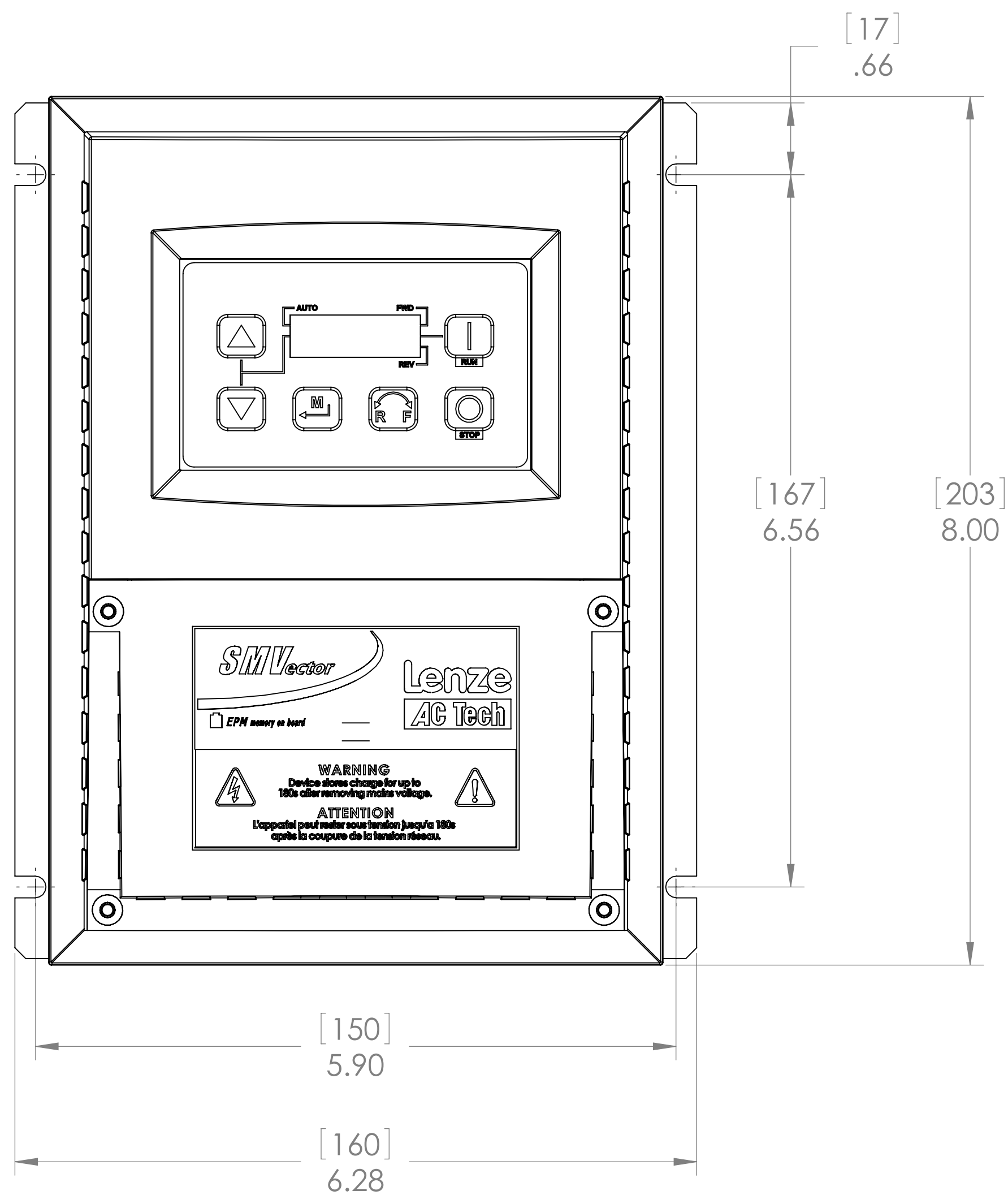


APPLICABLE MODELS	
ESV371N01SXC	ESV371N01SXE
ESV751N01SXC	ESV751N01SXE
ESV371N02SFC	ESV371N02SFE
ESV751N02SFC	ESV751N02SFE
ESV371N02YXC	ESV371N02YXE
ESV751N02YXC	ESV751N02YXE
ESV371N04TFC	ESV371N04TFE
ESV751N04TFC	ESV751N04TFE
ESV371N04TXC	ESV371N04TXE
ESV751N04TXC	ESV751N04TXE
ESV751N06TXC	ESV751N06TXE

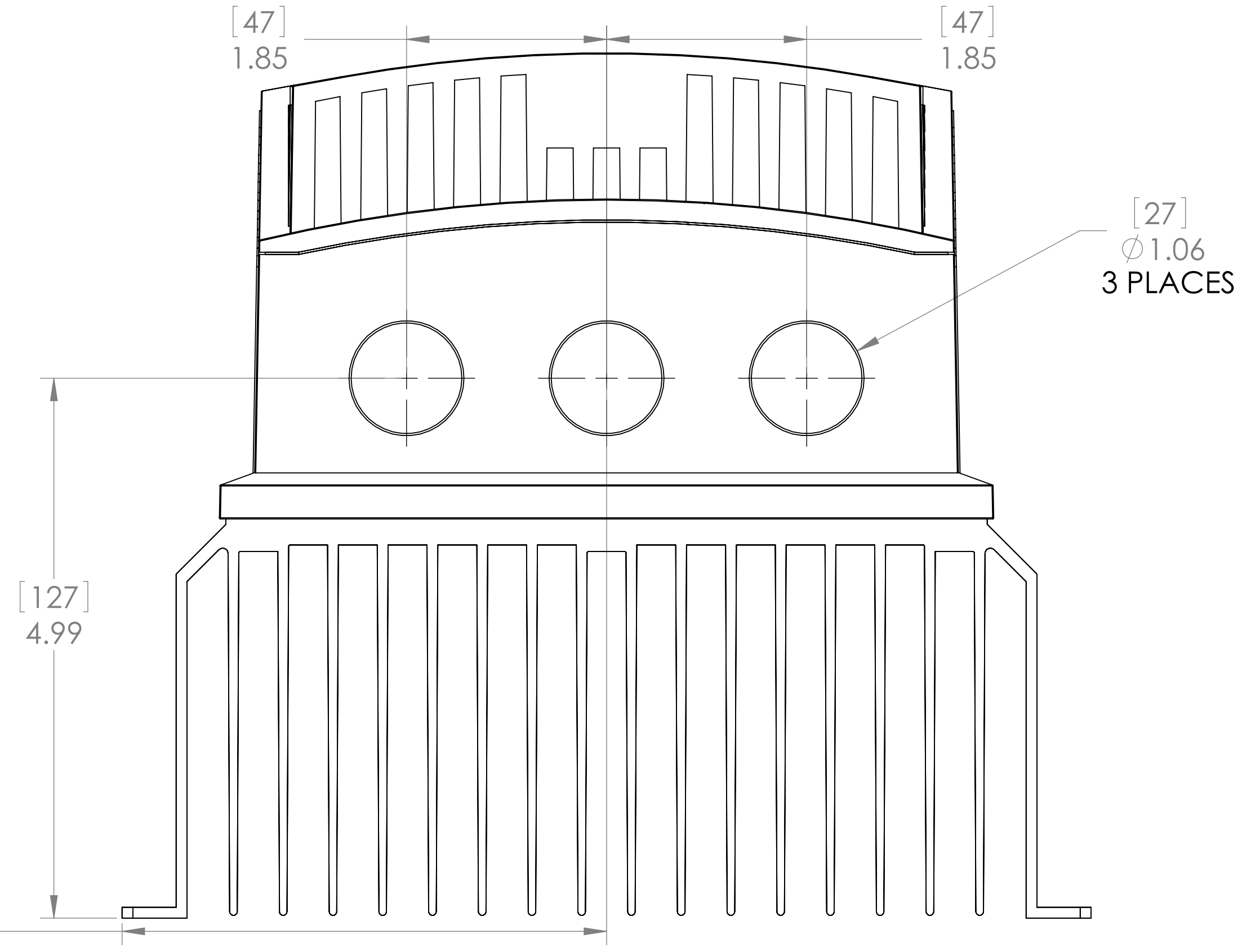
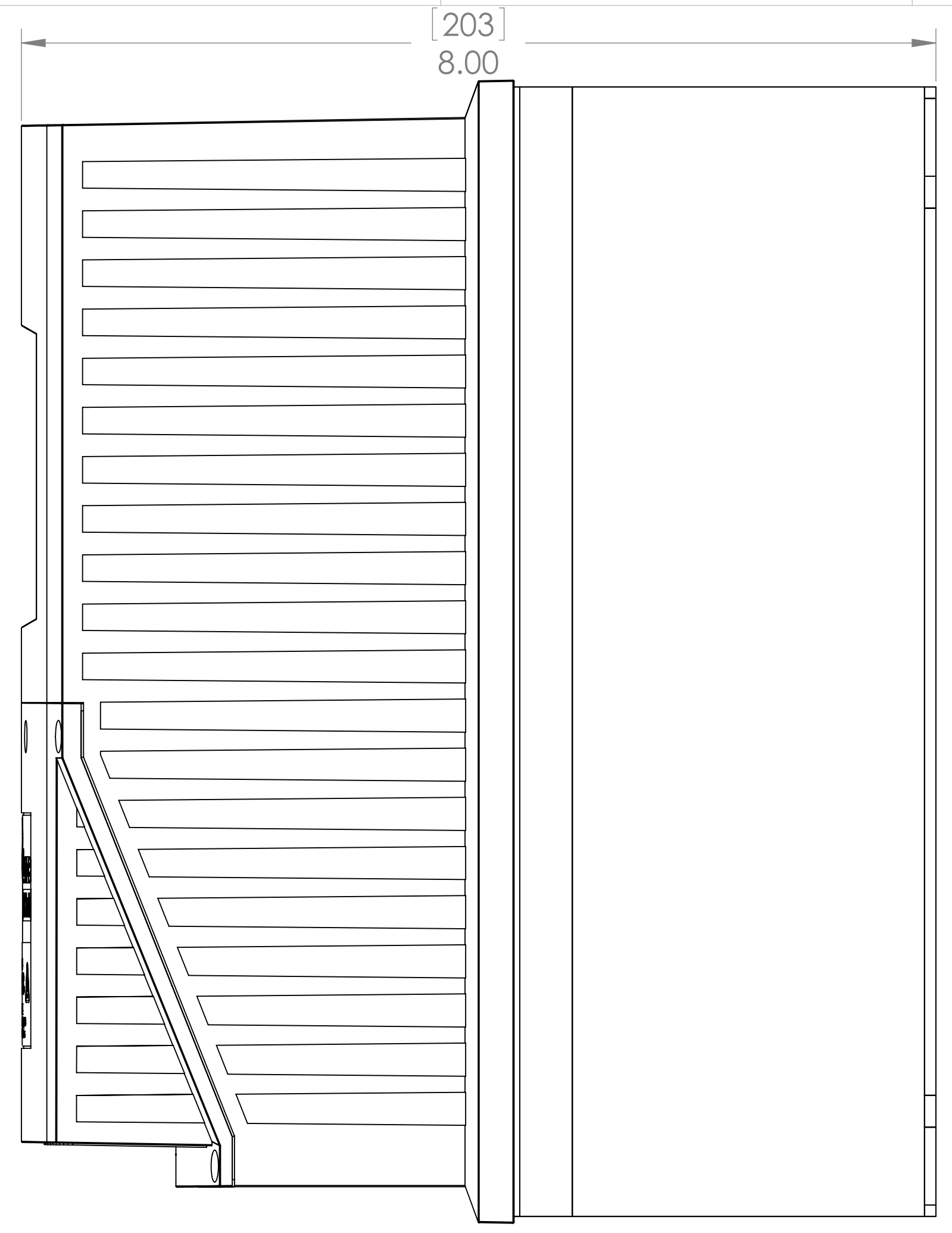
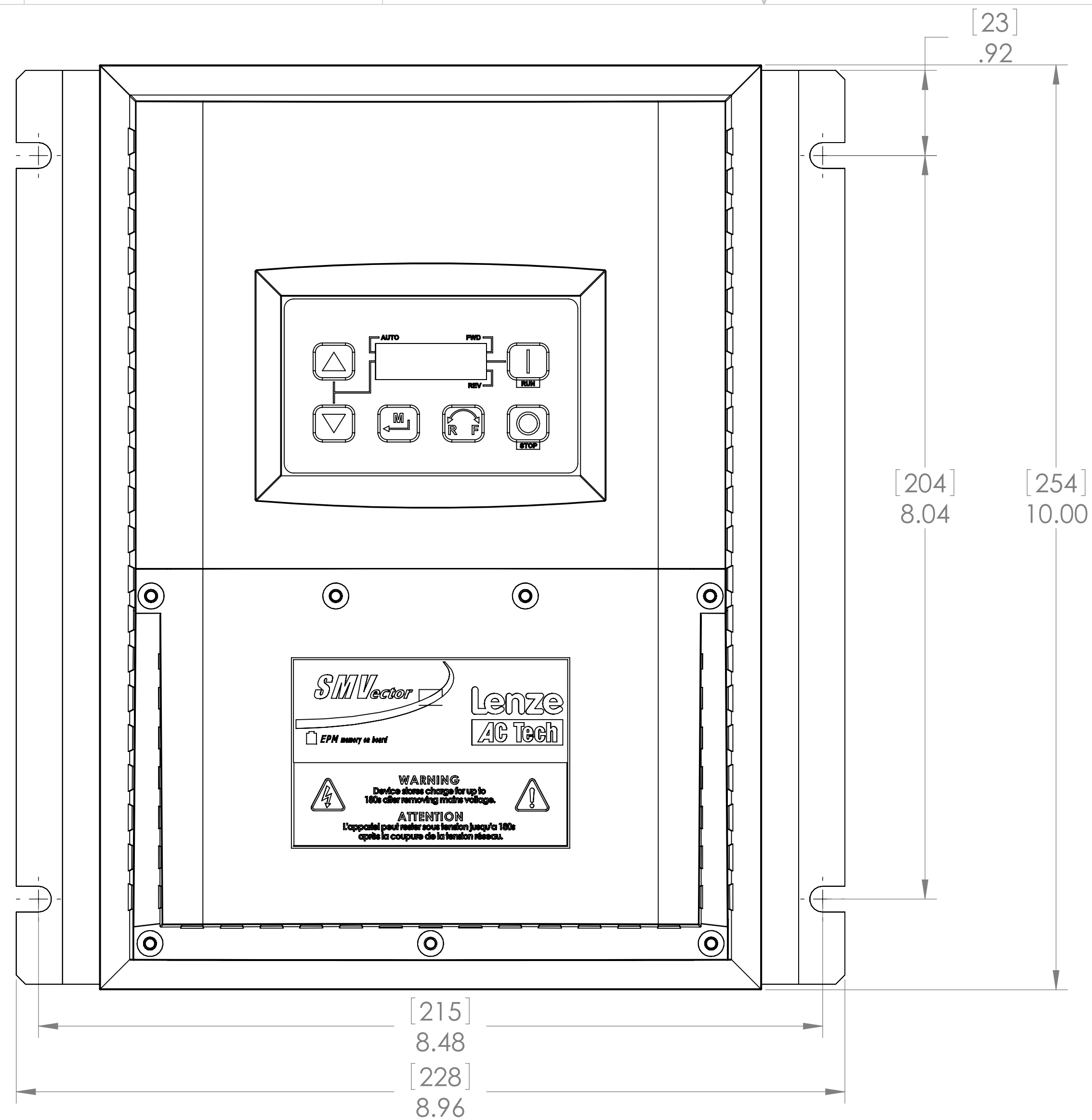


APPLICABLE MODELS	
ESV222N02SFC	ESV222N02SFE
ESV222N02YXC	ESV222N02YXE



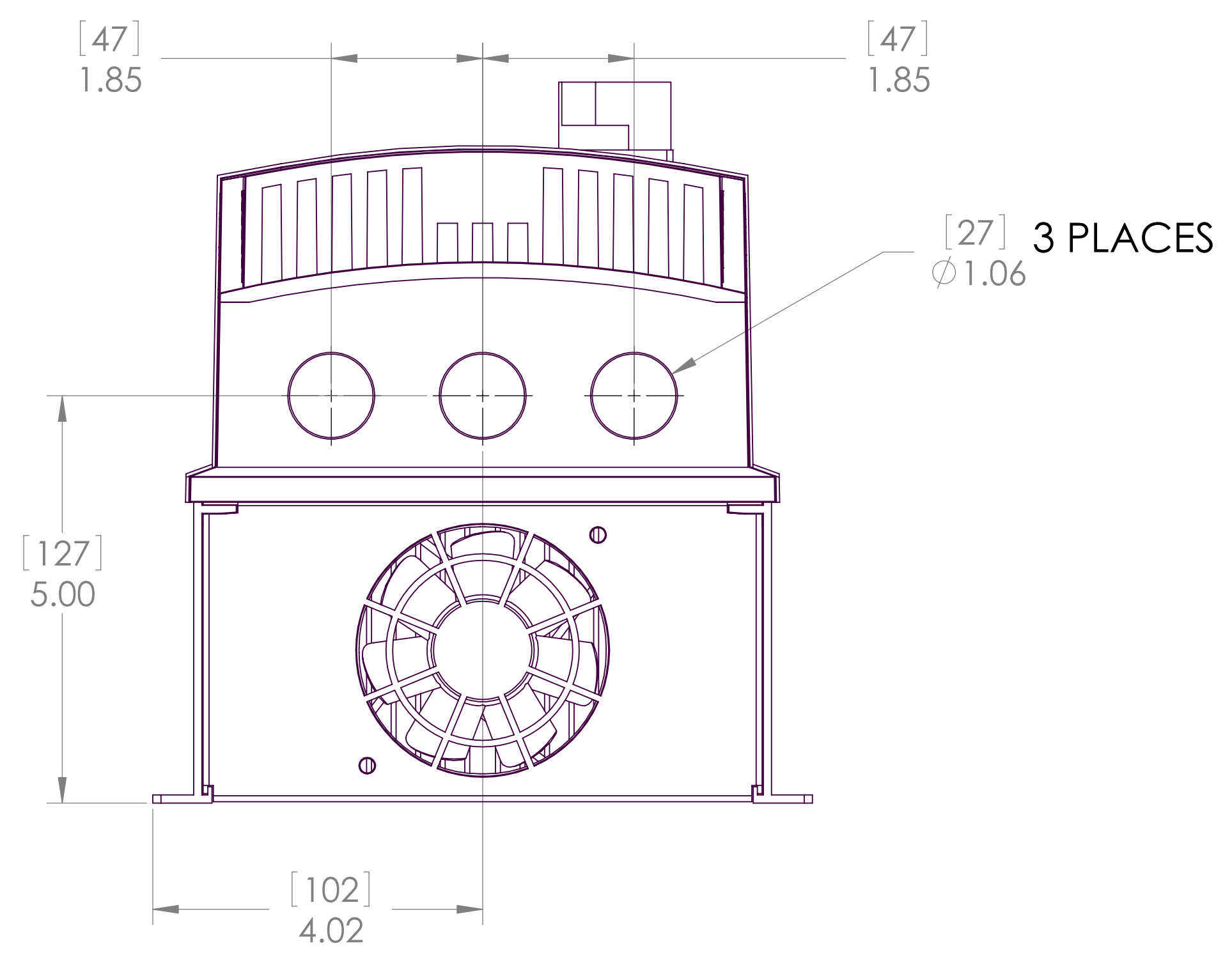
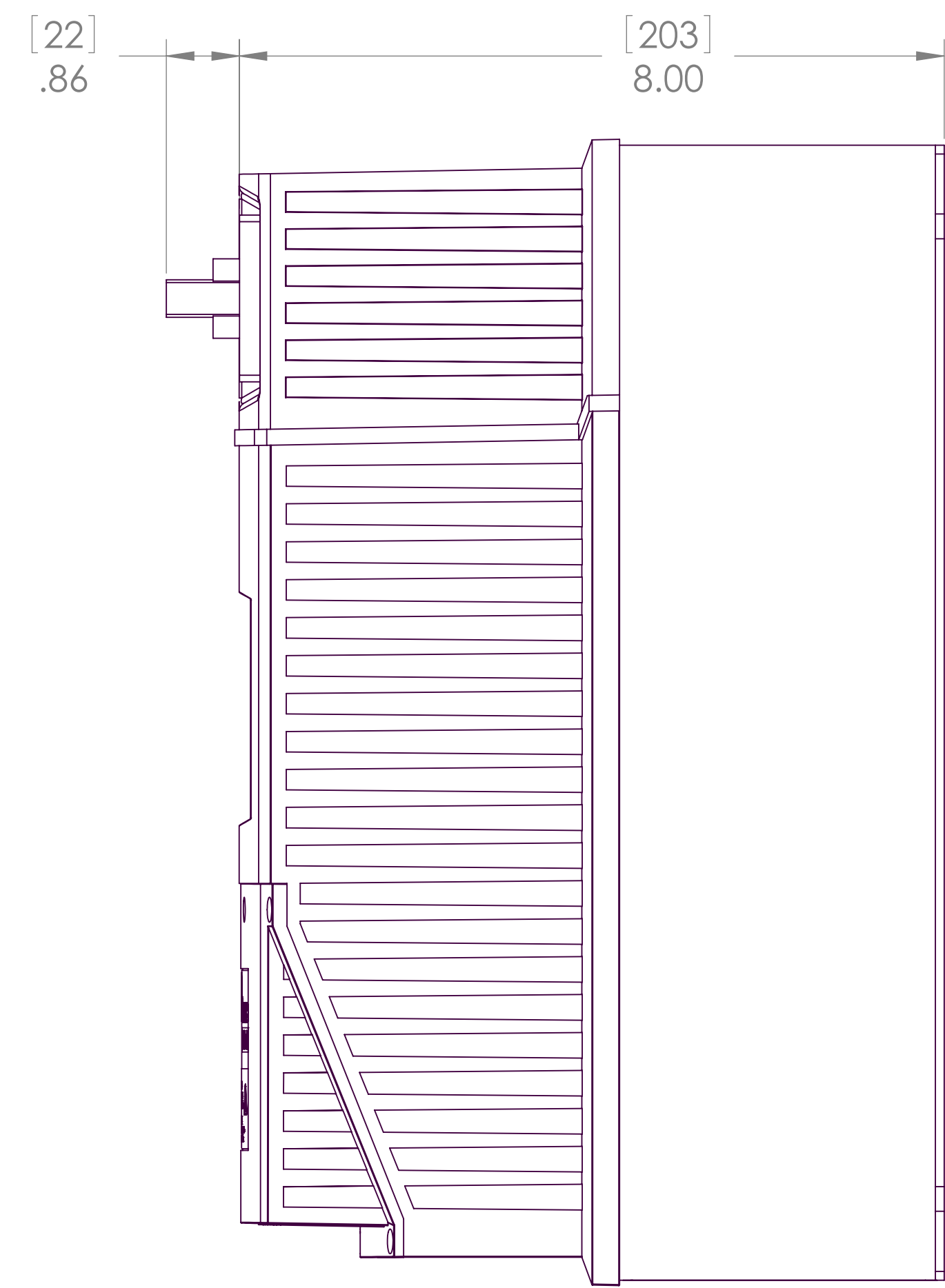
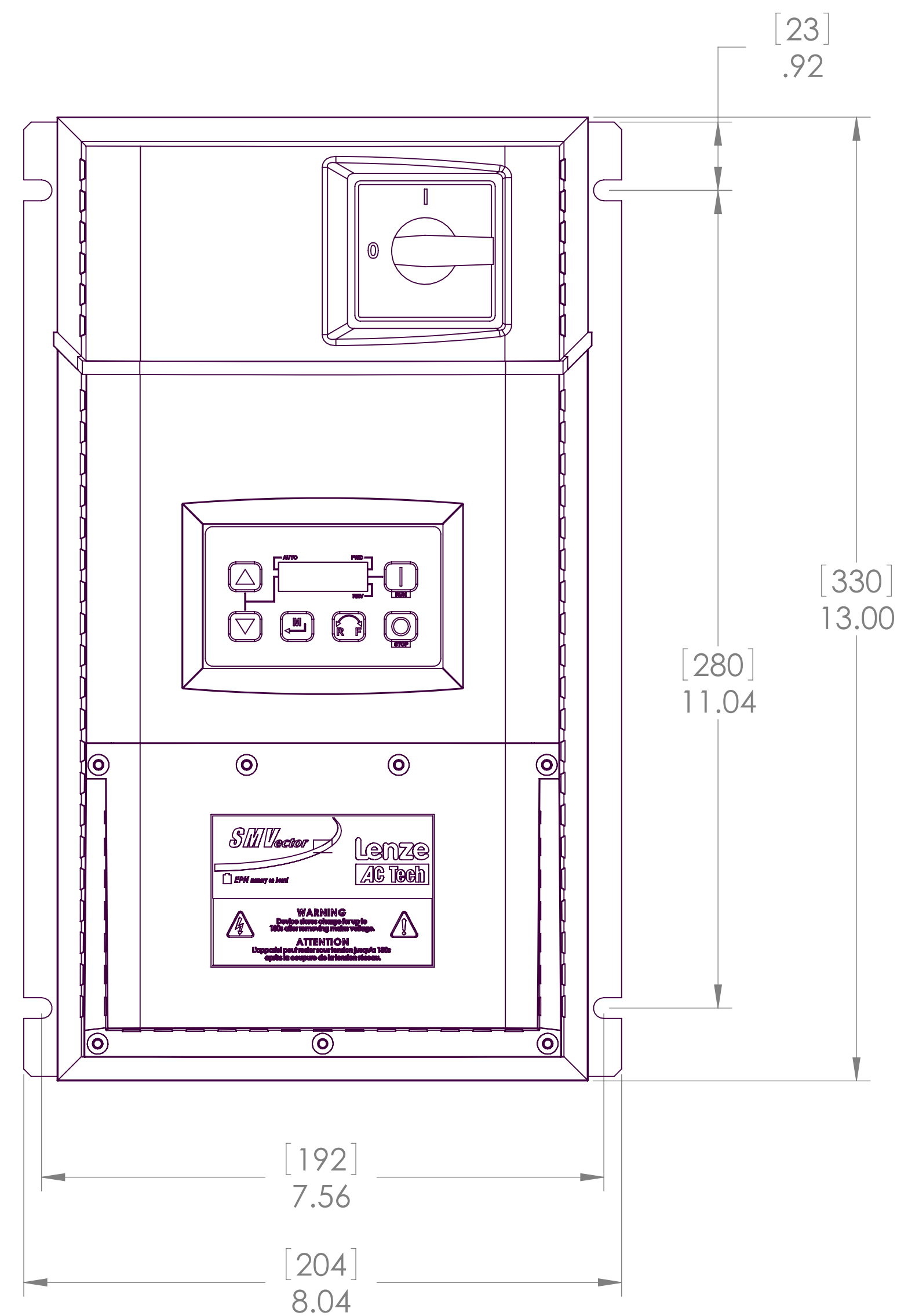
**APPLICABLE MODELS**

ESV112N01SXC	ESV112N01SXE
ESV112N02SFC	ESV112N02SFE
ESV152N02SFC	ESV152N02SFE
ESV112N02YXC	ESV112N02YXE
ESV152N02YXC	ESV152N02YXE
ESV112N04TFC	ESV112N04TFE
ESV152N04TFC	ESV152N04TFE
ESV222N04TFC	ESV222N04TFE
ESV302N04TFC	ESV302N04TFE
ESV112N04TXC	ESV112N04TXE
ESV152N04TXC	ESV152N04TXE
ESV222N04TXC	ESV222N04TXE
ESV152N06TXC	ESV152N06TXE
ESV222N06TXC	ESV222N06TXE



APPLICABLE MODELS	
ESV402N02TXC	ESV402N02TXE
ESV402N04TFC	ESV402N04TFE
ESV552N04TFC	ESV552N04TFE
ESV402N04TXC	ESV402N04TXE
ESV552N04TXC	ESV552N04TXE
ESV402N06TXC	ESV402N06TXE
ESV552N06TXC	ESV552N06TXE

REVISIONS				
ZONE	REV.	DESCRIPTION	DATE	APPROVED
	A	CHANGED DRAWING NUMBER	10-30-08	WYC



ESV552N02TMD	ESV752N04TLD
ESV752N02TMD	ESV752N06TMD
ESV752N04TMD	

CONFIDENTIAL **AC Tech** FILE: **ESV OUTLINE DRAWING AB1**

AC Technology Corporation  
 Variable Speed AC Motor Drives  
 Northbridge, Massachusetts 01569

THIRD ANGLE PROJECTION: DIMENSIONS ARE IN INCHES. TOLERANCES: UNLESS OTHERWISE SPECIFIED:  
 ANGULAR: MACH ± 1/32 DEG.  
 .XX ± .01  
 .XXX ± .005

SCALE = 2:3

SIZE: DRAWING FILE: SHEET: DATE:  
**D** AB1 1 of 1 8/14/2008

DRAWN: CHECKED: PART FILE:  
**E. Finegan** **RL** AB1

ALL INFORMATION CONTAINED IN THIS DRAWING IS THE SOLE PROPERTY OF AC TECHNOLOGY CORPORATION. NO REPRODUCTION IS PERMITTED WITHOUT WRITTEN PERMISSION FROM AC TECH.