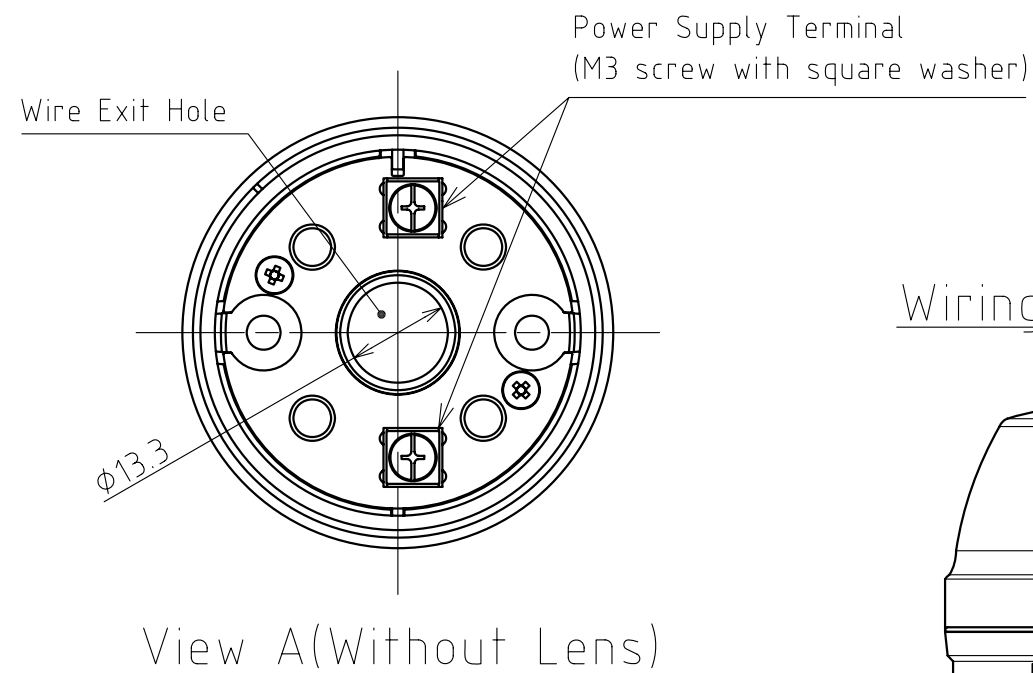
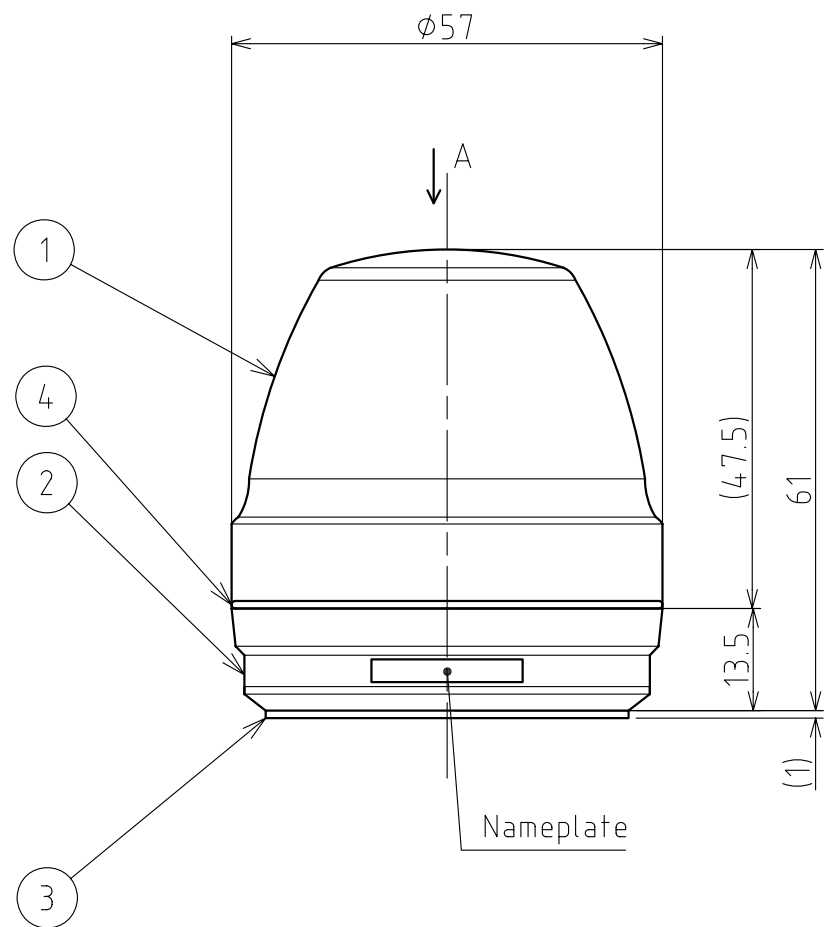
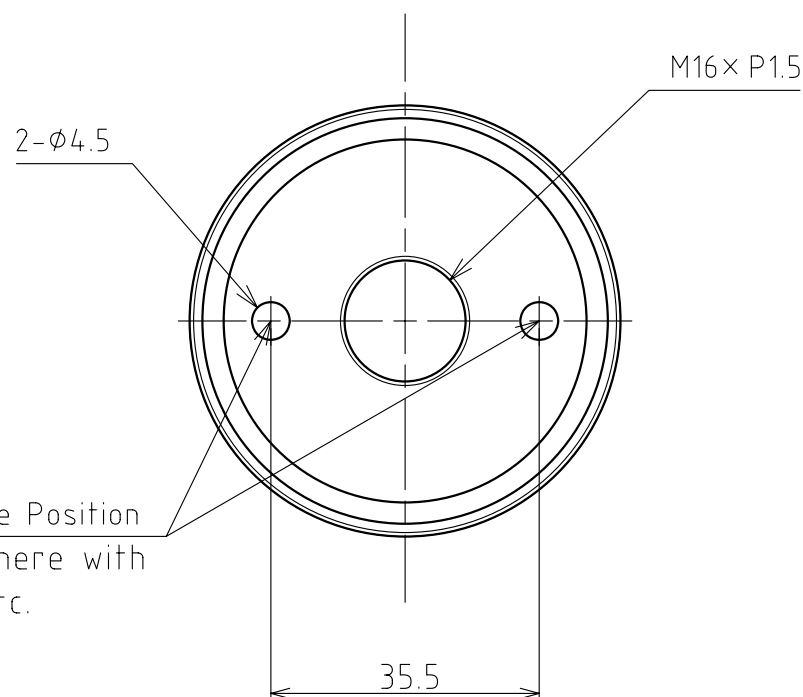
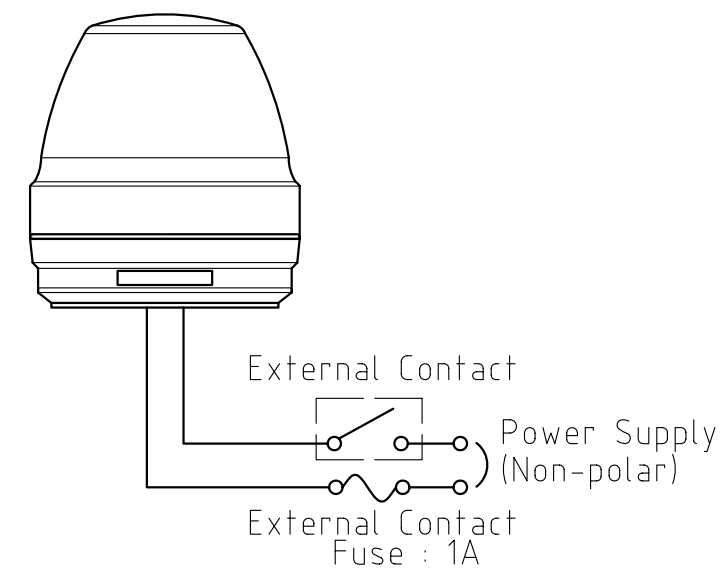


SPECIFICATIONS

Model		NE-24				
Rated Voltage		24V DC (Non-polar)				
Operating Voltage Range		21.6V ~ 26.4V DC				
Current Consumption		Red	Amber	Green	Blue	White
	Typ.	22.4mA	22.4mA	16.3mA	16.3mA	13.8mA
	Max.	25.9mA	25.9mA	23.0mA	21.8mA	18.4mA
Operating Temperature Range (Relative humidity)		-30°C ~ +50°C (90%RH or less)				
Mounting	Location	Indoor use only (Only when installed on a flat surface)				
	Direction	All Directions				
Protection Rating		IP65				
Vibration Resistance		19.6 m/s ²				
Insulation Resistance		More than 1MΩ measured at 500VDC between the terminals and the chassis.				
Withstand Voltage		500VAC being applied between the terminals and the chassis for 1 minute without breaking insulation.				
Luminous Intensity (Minimum)		Red	Amber	Green	Blue	White
		100mcd	400mcd	340mcd	100mcd	460mcd
Mass (Tolerance ±10%)		55g				
Conformity Standards		<ul style="list-style-type: none"> • EMC Directive (EN 61000-6-4, EN 610006-2) • RoHS Directive (EN 50581) 				
Remarks		<ul style="list-style-type: none"> • Conforms to the CE requirements. 				
No. NE-24-PDFF-EN-1_2						
PATLITE Corporation						



Wiring Example



Mounting Hole Position
 ※ Perforate here with a punch, etc.

[Note]

1. A cable gland made of resin in the size of M16×P1.5 can be used.
2. This product has no power cord, Use the terminal on the mounting plate to connect the power supply.

4	O-ring	-	1	Silicon (Gray)	
3	Waterproof sheet	-	1	NBR, t=1.0, 60° (Black)	
2	Body	-	1	ABS (Light Gray)	
1	Lens	-	1	PC (Red・Amber・Green・Blue・Clear)	
番号 No.	部品名 Part Name	品目コード Part No.	数量 Qty.	材料 & 寸法 & 処理 Material & Size & Finish	記事 Remarks

NE-24 Dimensions

株式会社 パトライト
 PATLITE Corporation

NE-24-PDFF-EN-2_2